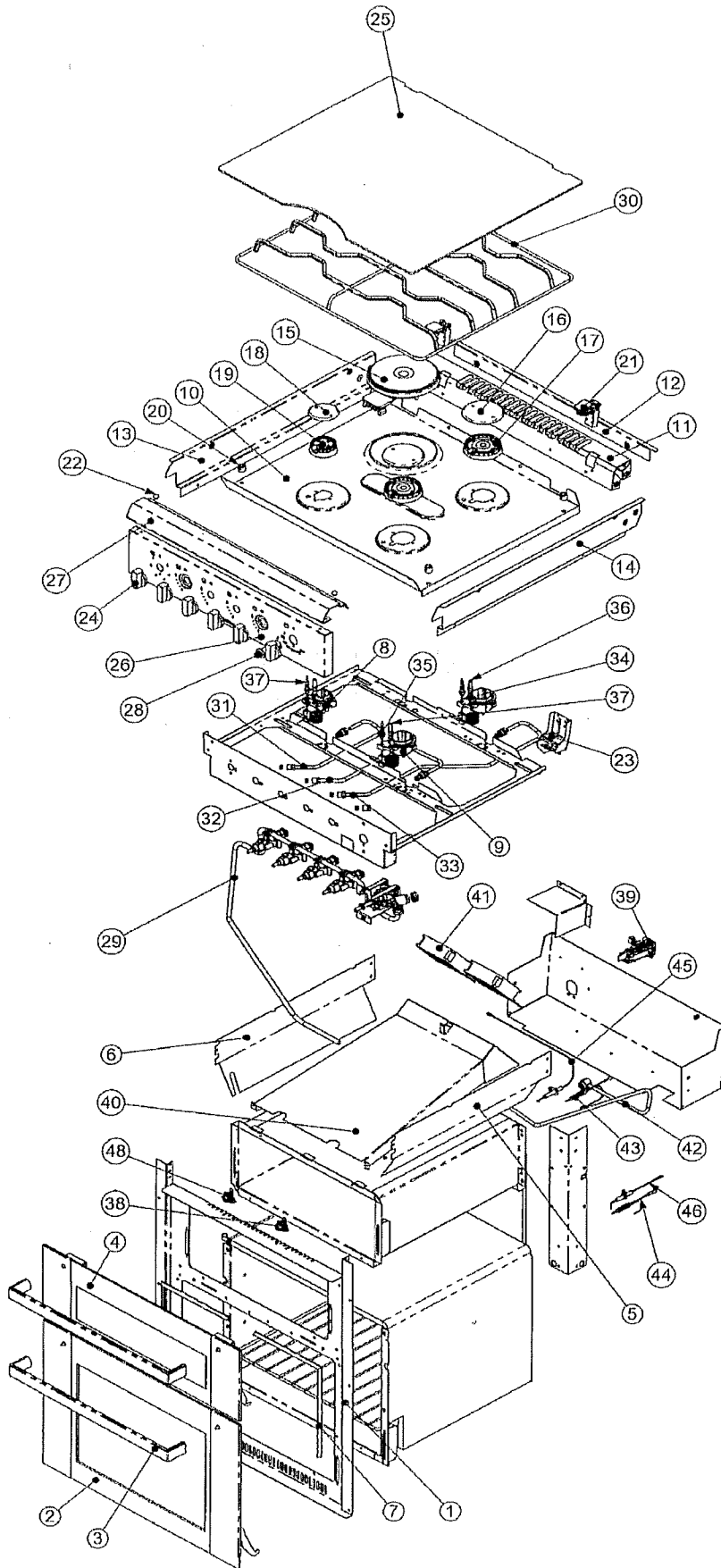


ASPIRE - EXPLODED DRAWING (GENERIC)



Aspire all

Models sck

Drwg No.	Component Item	Item Description	13950	13952	13960	13962	13970
2	SMAO4130.BK	OVEN DOOR, ASPIRE, BK BNKV BSDC "SIDES", DROP	X		X		X
2	SMAO4135.BK	OVEN DOOR, ASPIRE, BK BNKV BSDC "SIDES", SIDE OPEN		X		X	
3	SPCO0323.BNK	HANDLE, V CUT, BRIGHT NICKEL, 390mm ctr	X	X	X	X	X
4	SMAO4120.BK	GRILL DOOR, ASPIRE, BK BNKV BSDC "SIDES"	X	X	X	X	X
7	SPCO0246	SEAL,OVEN DOOR MK3 FRONT FLUE SG	X	X	X	X	X
10	SMCP4115.BK	HOB PANEL, 1/2/ELR, ASPIRE DF, BLACK	X	X	X	X	X
11	SMCO4163.BK	TRIM, REAR HOB, SLIMLINE HINGES, ASPIRE, BLACK	X	X	X	X	X
12	SMCO4164.BK	TRIM, BACK, ASPIRE, BLACK	X	X	X	X	X
13	SMCO4165.BK	TRIM, HOB L/H, 28MM CURVED PROFILE, ASPIRE, BK	X	X			
14	SMCO4166.BK	TRIM, HOB R/H, 28MM CURVED PROFILE, ASPIRE, BK	X	X			
15	SPCC0914	HOTPLATE,97.12056.207 800W 6.3x0.8 FASTON	X	X	X	X	X
16	SPCC0813	BURNER CAP, DRILLED,0881/3.1	X	X	X	X	X
17	SPCC0811	FLAME SPREADER,SR2,D1408/3	X	X	X	X	X
18	SPCC0825	BURNER CAP,DRILLED,AUX 0880/3	X	X	X	X	X
19	SPCC0827	BURNER SPREAD WITHOUT SKIRT,SR2,AUX 8878/3	X	X	X	X	X
20	SPCC0647	CLIP,PAN SUPPORT PTFE TOP FIX	X	X	X	X	X
21	SPCC2003.BK	HINGE,GLASS LID 2004 STYLE	X	X	X	X	X
22	SPCX0391	BUMP STOP,PUSH FIT,Ø9.5x7.8xØ6.25mm	X	X	X	X	X
23	SMAC3120	SWITCH ASSEMBLY, 240v SHUT-OFF (ELEC-MECH), 4 GANG	X	X	X	X	X
24	SPCC0583.SCR	CONTROL KNOB, 1 PIECE, SATIN CHROME	X	X	X	X	X
25	SG999.BK	GLASS, LID, SWIFT COOKER, BK	X	X	X	X	X
26	SMCO4150.BK	FASCIA, ASPIRE DF 1/2/0ELR, BLACK	X	X	X	X	X
27	SPCC2024.BNK	EXTRUDED PROFILE, 28mm CURVED, BRIGHT NICKEL	X	X			
27	SPCC2025.BNK	EXTRUDED PROFILE, 40mm CURVED, BRIGHT NICKEL					X
27	SPCC2026.BNK	EXTRUDED PROFILE, SQUARE, BRIGHT NICKEL			X	X	
28	SPCC1377	SWITCH, MOMENTARY ON, BLACK, SWIFT DF	X	X	X	X	X
29	SMAC4112	TAP ASSY, 3BGF, ASPIRE DF, UNDERSIDE	X	X	X	X	X
	♦ SPCC0728	TAP BURN FFD/8 FC 9131/1 0.34	X	X	X	X	X
	♦ SPCC0729	TAP GRIL FFD/8 FC 9131/1 0.45	X	X	X	X	X
	♦ SPCO0472	TAP,THERMOSTAT SABAF TS 9138/1	X	X	X	X	X
30	SPCC0692.EN	SUPPORT, PAN, SWIFT D/FUEL ENAMELLED	X	X	X	X	X
34	SPCC1110	THERMOCOUPLE, S2 BURNER - SWITCH, FASTON, 320MM	X	X	X	X	X
35	SPCC1112	THERMOCOUPLE, S2 BURNER - SWITCH, FASTON, 600MM	X	X	X	X	X
36	SPCC1455	ELECTRODE, SPARK 600mm S2 SAB	X	X	X	X	X
37	SPCC1457	ELECTRODE, SPARK 900mm S2 SAB	X	X	X	X	X
38	SPCO0973	CUT OUT, THERMAL, NORMALLY OPEN (53/70)	X	X	X	X	X
41	SPCC0966	COOLING FAN, TYPE KD1208PTBX-A.(2).H.F(0467)	X	X	X	X	X
43	SPCC1123	THERMOCOUPLE, GRILL, FASTON, 740mm, SWIFT DF	X	X	X	X	X
44	SPCC1121	THERMOCOUPLE, OVEN, FASTON, 1300MM	X	X	X	X	X
45	SPCC1418	ELECTRODE,SPARK 300MM S/FIX	X	X	X	X	X
46	SPCC1430	ELECTRODE,SPARK 650MM S/FIX	X	X	X	X	X
47	SPCC1113	THERMOCOUPLE, S2 BURNER - SWITCH, FASTON, 750MM	X	X	X	X	X
48	SPCO0974	CUT OUT, THERMAL, NORMALLY CLOSED (130/113)	X	X	X	X	X
2*	SG1080	GLASS,INNER DOOR SWIFT 4MM (OVEN DOOR)	X	X	X	X	X
	SMAC0063	GRILL PAN ASSY - LARGE,DETACH	X	X	X	X	X
	SMAO0064	BURNER ASSY WORGAS COMPLETE, OVEN	X	X	X	X	X
	SMCO4073.BK	TRIM, FRONT, 1/2 HIDDEN, SWIFT DF, BLACK, S/O		X		X	
	SMCO4160.BK	TRIM, FRONT, 1/2 HIDDEN, ASPIRE, BLACK	X		X		X
	SMCO4167.BK	TRIM, HOB L/H, 40MM CURVED PROFILE, ASPIRE, BK					X
	SMCO4168.BK	TRIM, HOB R/H, 40MM CURVED PROFILE, ASPIRE, BK					X
	SMCO4169.BK	TRIM, HOB L/H, 28MM SQUARE PROFILE, ASPIRE, BK			X	X	
	SMCO4170.BK	TRIM, HOB R/H, 28MM SQUARE PROFILE, ASPIRE, BK			X	X	
	SPCC0503	PIN,SHUT OFF VALVE, 2006 3mm dia x 38.5mm long	X	X	X	X	X
	SPCC0773	JET, No59 S222/059 (OVEN)	X	X	X	X	X
	SPCC0775	JET, No62 S222/062 (GRILL AND HOB)	X	X	X	X	X
	SPCC0814	STUD, FIXED BNR CAP, 0658	X	X	X	X	X
	SPCC0815	SCREW,FIXED BNR CAP, 0371	X	X	X	X	X

1*

2*

2* now SG1090
1* now SG999B - BK

Aspire all

Models sck

Drwg No.	Component Item	Item Description	Models sck				
			13950	13952	13960	13962	13970
	SPCC0948	SWITCH, 46.27266.500 HTPLT	X	X	X	X	X
	SPCC1109 *	LEAD, TAP-THERMAL CUT OFF, 300mm	X	X	X	X	X
	SPCC1186	HANDLE, DETACHABLE, GRILL PAN	X	X	X	X	X
	SPCC1190	TRIVET - GRILL PAN LARGE	X	X	X	X	X
	SPCC1211	BEZEL, BLACK, 395 x 16, SELF ADHESIVE, SWIFT DF	X	X	X	X	X
	SPCC1386	BUTTON, ROUND, BLACK, SWIFT DF	X	X	X	X	X
	SPCC1387	BEZEL, SNAP FIT, BLACK, SWIFT DF	X	X	X	X	X
	SPCC1397	GENERATOR, SPARK 12V UBZ6 VAR4000 CE/CSA APP	X	X	X	X	X
	SPCC1498	CLIP, FIXING, ELECTRODE	X	X	X	X	X
	SPCO0107	CLIP, COPPER RC20 2L1 ANNEALED	X	X	X	X	X
	SPCO0138	STUD, OVEN DOOR CATCH S/S		X		X	
	SPCO0140	CATCH, JETPRESS 41460-61		X		X	
	SPCO0280	SUPPORT, OVEN SHELF, 4 POSITION, SWIFT DF	X	X	X	X	X
*3	♦ SPCX0190	WASHER, STARLOCK 6MM DT6493	X	X	X	X	X
	SPCO0292	SHELF, OVEN (CAP/MPR 445&496)	X	X	X	X	X
	SPCX0163	LOCKNUT, M6 BRASS COARSE THREAD (for hob	X	X	X	X	X
	SMAC0056	GRILL ASSY, 2005, NO HOOD					
	♦ SPCX0184	WASHER, STARLOCK 5MM	X	X	X	X	X
	SPCX0389	BUMP STOP, PUSH FIT, DIA9.5x4.0	X	X	X	X	X

* Replaced by SPCC1090.

*3 Replaced by SPC0283