

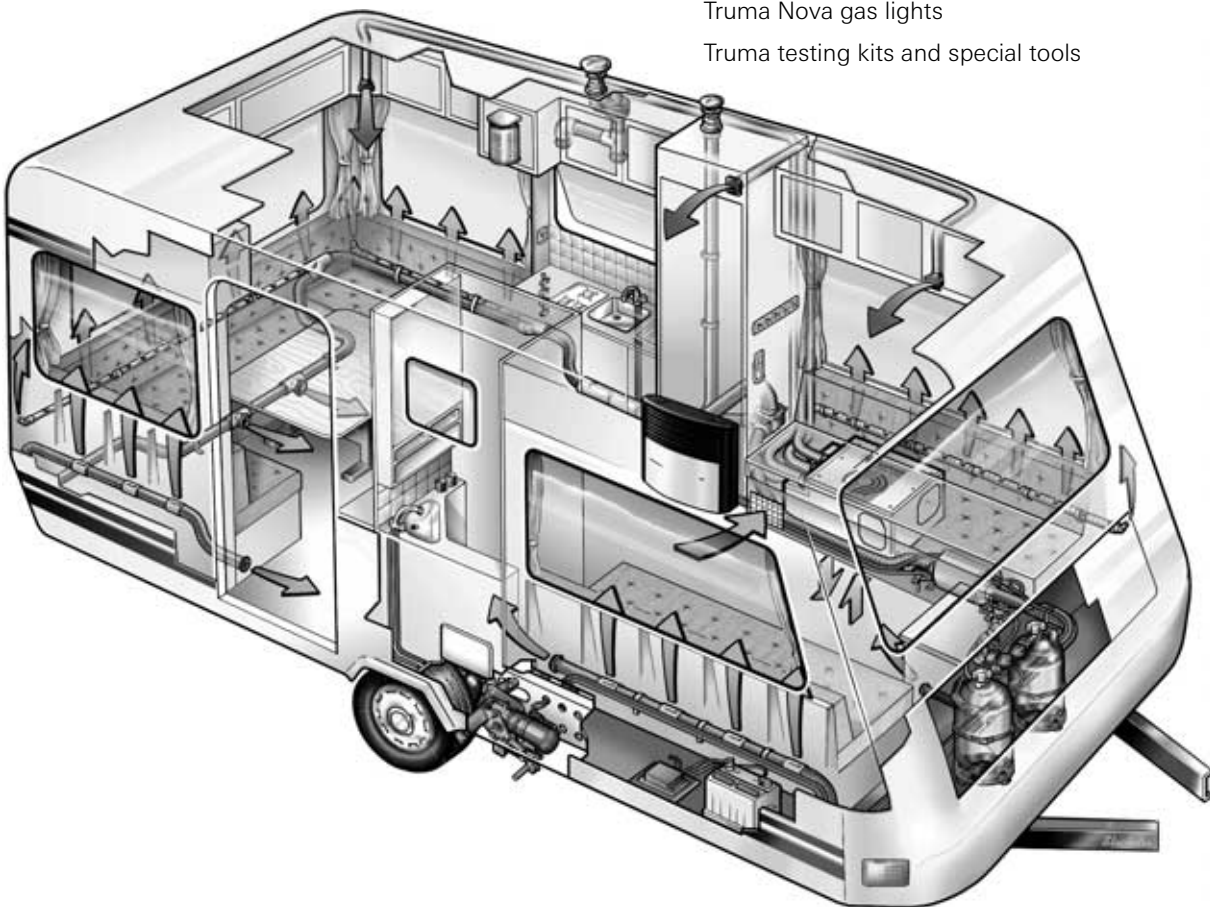
Technical specifications
valid from **01 July 2002**

According to the DVGW form G 607 from march 1996, vehicle liquid gas systems in Germany may work with an operating pressure of **30 or 50 mbar**.

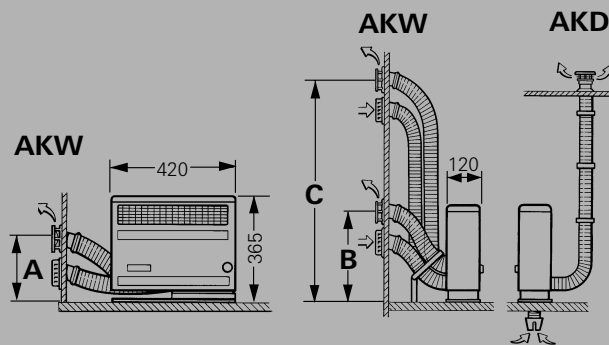
In our price list we offer heaters with 30 mbar working pressure.

For older installation systems, heaters with 50 mbar working pressure are available on demand.

Heaters Trumatic S	from page 2
Accessories for heaters Trumatic S	page 6
Truma Ultraheat additional electric heating	page 7
Trumavent fans	page 8
Heaters Trumatic E	from page 9
Heaters Trumatic C	from page 13
Truma warm air ducting	from page 14
Truma Therme (storage water heater)	page 15
Truma Boiler (storage water heater)	page 16
Truma Sonatic	page 17
Truma accessories for gas supply	from page 18
Truma-Frostair Air-conditioning	from page 20
Manoeuvring aid Euro Mover II	page 22
Truma Nova gas lights	page 22
Truma testing kits and special tools	page 23



Trumatic S 2200 S 2200 P



In Germany the Trumatic S 2200 is only approved for caravans.

Alternatives	A	B	C
Duct lengths up to	35 cm	75 cm	120 cm
Minimal cowl height	20 cm	33 cm	66 cm

Product Ident. Number:
CE-0085AP0324
Rated thermal output:
1850 W
Gas consumption:
50 - 170 g/h
Weight: 6,7 kg



31110-01

All Trumatic heaters are available with an operating pressure of **50 mbar** on request.

Trumatic S 2200, **30 mbar**, with automatic ignitor, exhaust-connection **left** (without flue kit).

31110-02

Trumatic S 2200, **30 mbar**, with automatic ignitor, exhaust-connection **right** (without flue kit)

31130-01

Trumatic S 2200 P, **30 mbar**, with piezo ignitor, exhaust-connection **left** (without flue kit)

31130-02

Trumatic S 2200 P, **30 mbar**, with piezo ignitor, exhaust-connection **right** (without flue kit)

Flue kits Trumatic S 2200

30320-01

Wall flue kit **short**, alternatives **A + B** (c/w 1 m exhaust duct AE 3, 0,5 m insulating duct UR and 2 flue covers)

30320-02

Wall flue kit **long**, alternative **C** (c/w 1,5 m exhaust duct AE 3, 0,75 m insulating duct UR, 1 double duct support DSW and 2 flue covers)

30320-03

Roof flue kit (c/w 1 roof flue AK 3, 2,5 m exhaust duct AE 3, 2 m insulating duct, 3 clips US and air intake fitting)

Flue parts, flue tops for motor caravans and flue accessories for Caravans see page 6.

Installation accessories Trumatic S 2200

30230-02

Thermostat Th 33 (for Trumatic S 2200, **30 mbar**) fitting in the gas supply line

30230-01

Thermostat Th 35 (for Trumatic S 2200, **50 mbar**) fitting in the gas supply line

30190-01

Rear panel RWSL with heat deflector for S 2200 with exhaust connection **left** (for free standing installation)

30190-00

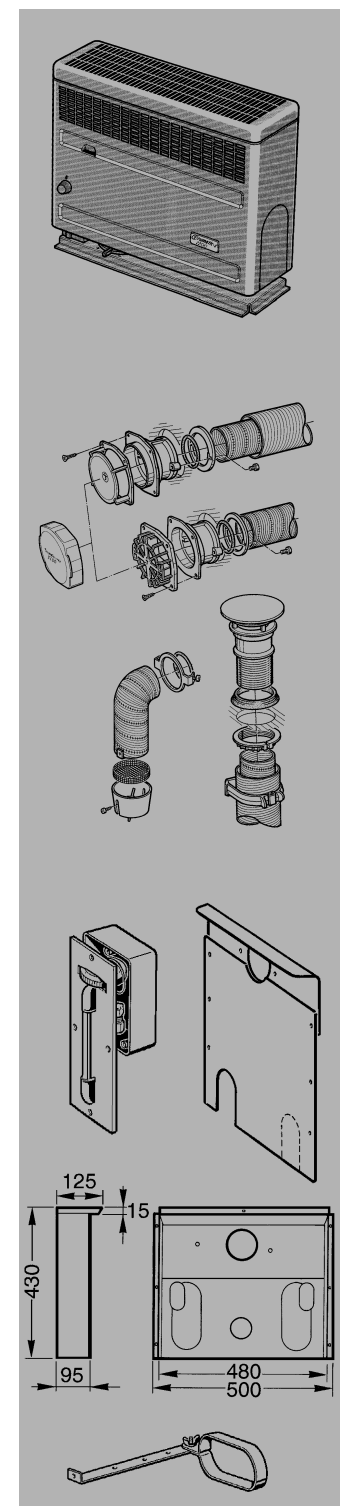
Rückwand RWS with heat deflector for S 2200 with exhaust connection **right** (for free standing installation)

30171-01

Installation box EKM for S 2200, exhaust connection right and left (for integrated fitting into a wardrobe)

30280-00

Double duct support DSW for side wall flue ducts; necessary for duct lengths 75 and 120 cm (included in the wall flue kit **long**)

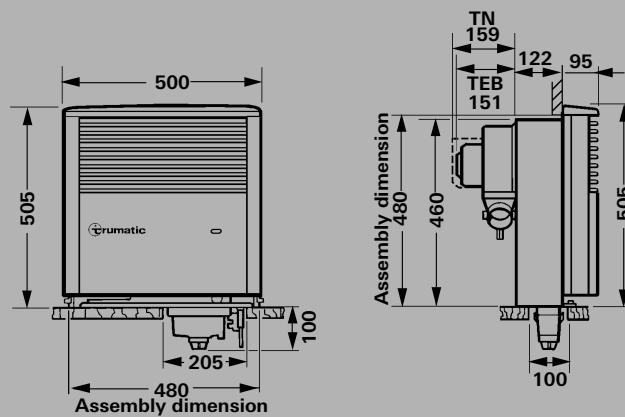


For warm air distribution all Trumavent fans (fitting direct to the installation box) or the Multivent fan can be used (see page 8).

Trumatic S 3002 S 3002 P S 3002 K

In Germany the Trumatic S 3002 and S 3002 P are only approved for Caravans.

The Trumatic S 3002 K is approved by the General Federal Office for Motor Vehicles.



Product Ident. Number:
CE-0085AP0325
Rated thermal output:
3400 W
Gas consumption:
30 - 280 g/h
Weight:
9.8 kg (S 3002 + S 3002 P)
11.5 kg (S 3002 K
incl. fan TEB)
Test symbol:
S 3002 K: S 255



Important: The front case is to order extra!
Operation is only with original Truma-front case authorized!

All Trumatic heaters are available with an operating pressure of **50 mbar** on request.

- | | |
|----------|--|
| 31311-01 | Trumatic S 3002, 30 mbar , with automatic ignitor, thermostat and installation box (without front case) |
| 31291-01 | Trumatic S 3002 P, 30 mbar , with piezo ignitor, thermostat and installation box (without front case) |
| 31351-01 | Trumatic S 3002 K, 30 mbar, for motor vehicles with automatic ignitor 12 V, thermostat and installation box (without front case)
1 Trumavent fan TEB 12 V (41122-01 or 41122-02) is necessary! (please order extra!) |

- | | |
|-------------|------------------------|
| 30040-50100 | Front case sepia brown |
| 30040-50200 | Front case agate grey |

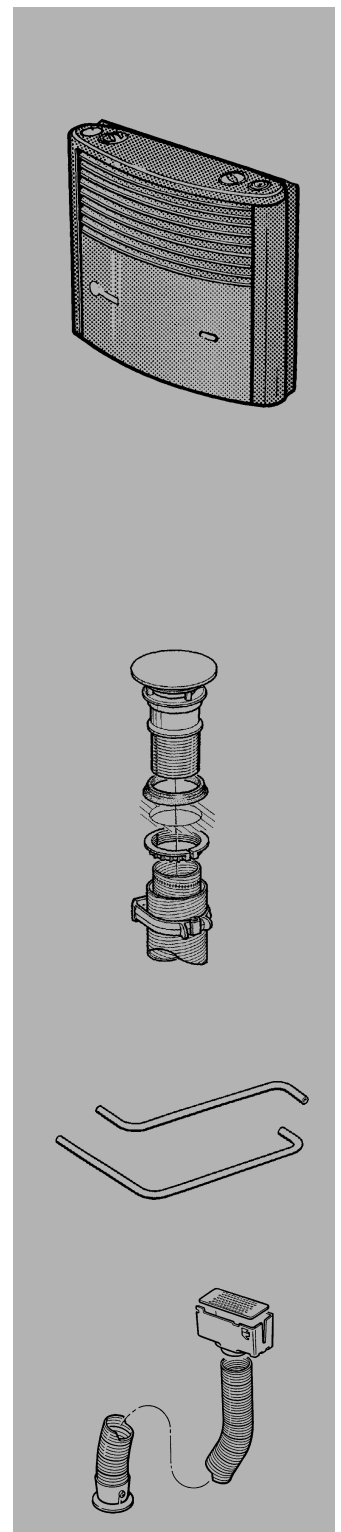
Roof flue kit Trumatic S 3002

- | | |
|----------|---|
| 30330-00 | Roof flue kit (c/w 1 roof flue AK 3 Ø 60 mm, 2.5 m exhaust duct, 2 m insulating duct and 3 clips) |
|----------|---|

Flue parts, flue tops for motor caravans and flue accessories for Caravans see page 6.

Installation accessories Trumatic S 3002

- | | |
|-------------|--|
| 30030-85500 | Gas line interior connection for Trumatic S 3002 (right fitting) |
| 30030-85600 | Gas line interior connection for Trumatic S 3002 (left fitting) |
| 30030-04800 | Air intake extension c/w 50 cm flue duct, perforated plate and extension spring (for difficult fitting situations or vehicles with double-floor) |

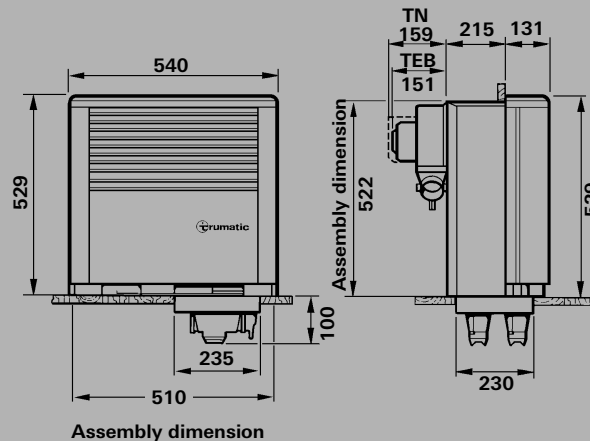


For warm air distribution all Trumavent fans can be used (fitting direct to the installation box), with the comfort kit a fitting of the fan to the wall or the floor is also possible (see page 8).

Trumatic S 5002 S 5002 E

In Germany the Trumatic S 5002 and S 5002 E are only approved for caravans.

For motor vehicles Truma offers the heaters Trumatic C (see page 13 or Trumatic E (see page 9).



Product Ident. Number:
S 5002 CE-0085AP0326
S 5002 E CE-0085AP0857
Rated thermal output:
 5500 W (propane/butane)
 4600 W (natural gas)
Gas consumption:
 60 - 480 g/h (Propan/Butan)
 64.5 - 517 l/h (natural gas)
Weight:
 17.5 kg



Important: The front case is to order extra!
Operation is only with original Truma-front case authorized!

All Trumatic heaters are available with an operating pressure of **50 mbar** on request.

- 31511-01 Trumatic S 5002, **30 mbar**, with automatic ignitor, thermostat and installation box (without front case)
- 31511-03 Trumatic S 5002, **30mbar**, with automatic ignitor, thermostat **special installation box for 2 fans** (without front case)
- 31551-01 Trumatic S 5002 E, **20 mbar**, for **natural gas** (Germany), with automaticignitor, thermostat and installation box (without front case)
- 31551-03 Trumatic S 5002 E, **20 mbar**, for **natural gas** (Germany), with automaticignitor, thermostat and **special installation box for 2 fans** (without front case)
- 31551-05 Trumatic S 5002 E, **20 mbar**, for **natural gas** (Netherlands), with automaticignitor, thermostat and installation box (without front case)
- 31551-07 Trumatic S 5002 E, **20 mbar**, for **natural gas** (Netherlands), with automaticignitor, thermostat and **special installation box for 2 fans** (without front case)
- 30050-60100 Front case sepia brown
- 30050-60200 Front case agate grey

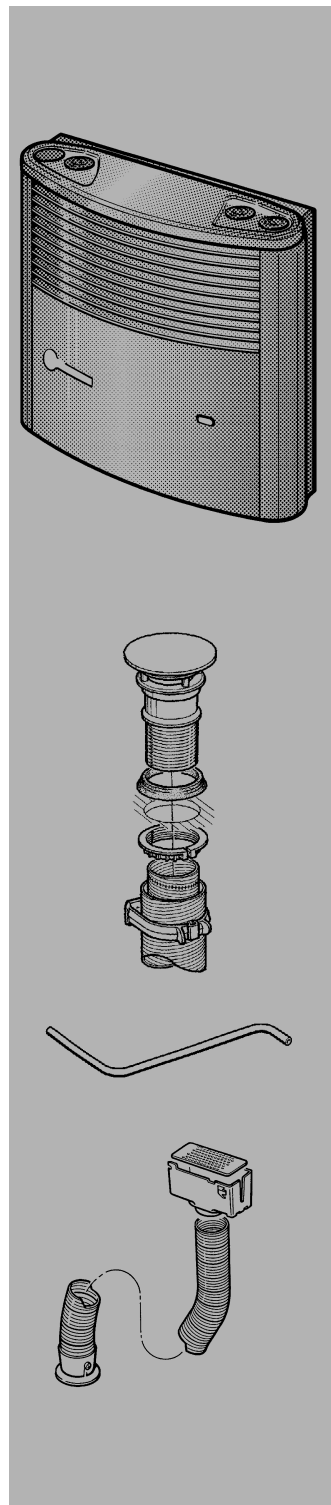
Roof flue kit Trumatic S 5002

- 30350-00 Roof flue kit (c/w 1 roof flue AKL 5 Ø 70 mm, 2.5 m exhaust duct, 2 m insulating duct and 3 clips)

Flue parts, flue tops for motor caravans and flue accessories for caravans see page 6.

Installation accessories Trumatic S 5002

- 30050-30500 Gas line interior connection for Trumatic S 5002 (right and left fitting)
- 30030-04800 Air intake extension c/w 50 cm flue duct, perforated plate and extension spring (for difficult fitting situations or vehicles with double-floor) **2 extensions necessary**

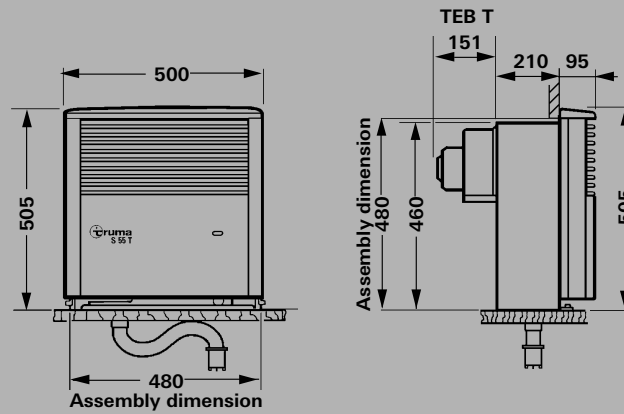


For warm air distribution all Trumavent fans can be used (fitting direct to the installation box), with the comfort kit a fitting of the fan to the wall or the floor is also possible (see page 8).

Truma S 55 T

In Germany the Truma S 55 T is only approved for caravans.

For motor vehicles Truma offers the heaters Trumatic C (see page 13 or Trumatic E see page 9).



Product Ident. Number:

S 55 T CE-0085AU0098

Rated thermal output:

5000 W

Gas consumption:

18 - 415 g/h

Operating voltage:

Heater: 1.5 V

Fan: 12 V

Power consumption

Heater: 50 mA (Ignition)

0.01 mA (monitoring)

Fan: 0.3 bis 1.0 A

Air flow rate: up to 149 m³/h

Weight:

approx. 14.5 kg (without fan)

approx. 16 kg (including fan)

Important: The front case is to order extra!

Operation is only with original Truma-front case and fan TE B T authorized!

31361-01

Truma S 55 T, **30 mbar**, with automatic ignitor, thermostat and installation box (without front case) **1 Truma vent fan TE B T is necessary! (please order extra)**

30080-50100

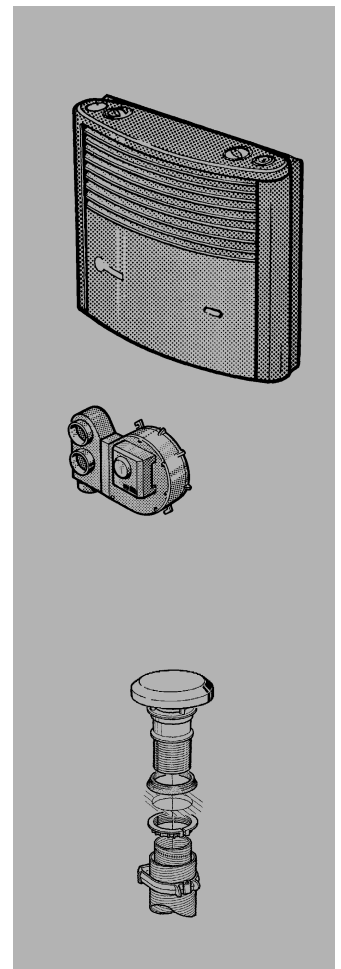
Front case sepia brown (c/w control panel for fan TE B T and ignition pilot light)

30080-50200

Front case agate grey (c/w control panel for fan TE B T and ignition pilot light)

41132-01

Truma vent fan **TE B T 12 V, for operation necessary!** (without control panel)



Roof flue kit Truma S 55 T

30560-00

Roof flue kit (c/w 1 roof flue AK 55 T Ø 70 mm, 2.5 m exhaust duct, 2 m insulating duct and 3 clips)

Flue parts, flue tops for motor caravans and flue accessories for caravans see page 6.

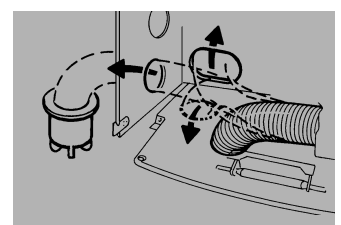
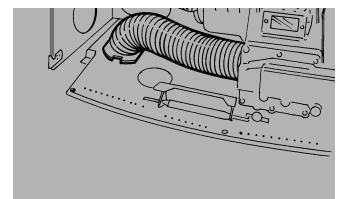
Installation accessories Truma S 55 T (only for heaters after date of manufacture 06/2000)

30080-45600

Air intake pipe 260 mm (for combustion air intake through the second bore-hole „C“ in the floor plate)

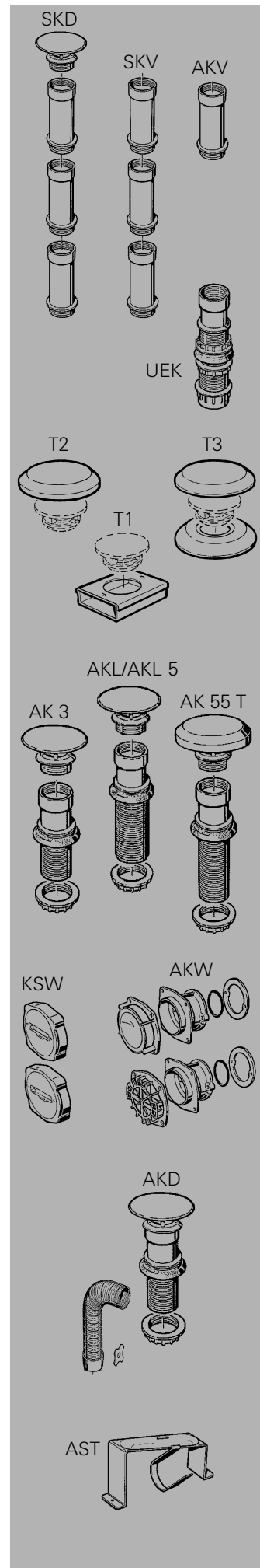
30080-45700

Flexible air intake pipe (for combustion air intake, either through the side or the back of the installation box)



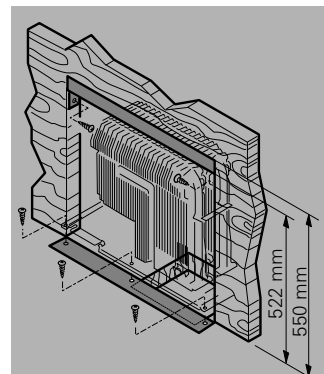
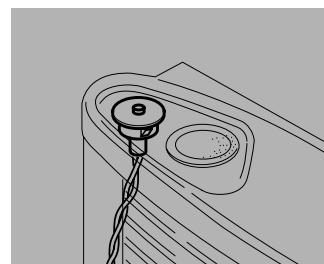
Accessories for flue ducting Trumatic S

30610-00	Flue extension SKD 45 cm with flue roof (for caravans with special mountings or places with extreme wind conditions)
30690-00	Flue extension SKV 45 cm
30010-20800	Flue extension AKV 15 cm
30630-04	Flue leadthrough UEK for caravan protection double-roofs
30700-03	Flue top T3 for motor caravans (not for the heater Truma S 55 T)
30700-02	Flue top T2 for motor caravans (not for the heater Truma S 55 T)
30700-01	Flue top T1 for motor caravans (not for the heater Truma S 55 T)
30630-01	Roof flue AK 3 , Ø 60 mm for the heaters Trumatic 2200 and S 3002
30630-03	Roof flue AKL , Ø 60 mm, special version for a roof thickness over 5 cm up to 12 cm, for Trumatic S 2200 and S 3002
30651-01	Roof flue AKL 5 , Ø 70 mm, for the heater Trumatic S 5002, for a roof thickness up to 12 cm
30652-02	Roof flue AK 55 T , Ø 70 mm, for the heater Truma S 55 T, for a roof thickness up to 12 cm
30260-00	Wall flue kit AKW (without covers and ducts), for Trumatic S 2200
30270-00	Flue cover set KSW (2 pieces) for wall flue AKW
30290-00	Roof flue kit AKD (roof cowl AK 3 + air intake duct cpl. without ducts), for the heater Trumatic S 2200
30140-00	Exhaust duct AE 3, Ø 55 mm (per metre) for the heaters Trumatic 2200 and S 3002 (not illustrated)
40230-00	Insulating duct ÜR , Ø 65 mm (per metre) for the heaters Trumatic 2200 and S 3002 (not illustrated)
40240-00	Clip ÜS , Ø 65 mm for attaching the insulating duct ÜR to the wall (not illustrated)
30160-00	Exhaust duct AE 5, Ø 65 mm (per metre) for the heaters Trumatic S 5002 and Truma S 55 T (not illustrated)
40250-00	Insulating duct ÜR 5 , Ø 75 mm (per metre) for the heaters Trumatic S 5002 and Truma S 55 T (not illustrated)
40260-00	Clip ÜS 5 , Ø 75 mm for attaching the insulating duct ÜR 5 to the wall (not illustrated)
30620-00	Exhaust duct support AST (ensures a continual rise of the exhaust duct in difficult fitting situations and for older heaters)



Accessories for heaters Trumatic S

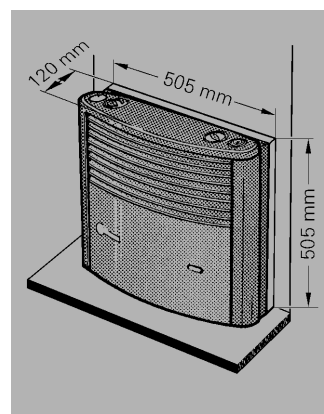
- 30010-29200 Auto ignition kit for Trumatic S 3002 P after 07/81 (not illustrated)
- 30040-65400 Ignition pilot light for retrofit in the heater front case. Suitable for the heaters Trumatic S 3002 and S 5002 after date of manufacture 08/1999 or with new auto ignitor - with 1 battery)
- 30050-33600 Installation panel set for the installation of a heater Trumatic S 5002 after date of manufacture 05/98 in the existing cut-out of a heater Trumatic S 5002 before 05/98



Modern front design for older Truma heaters

Retrofit case for heaters Trumatic S 3002 (P) after date of manufacture 07/81 c/w control rod and if necessary piezo ignitor. **Important:** Not to be used with the heater Trumatic S 3002 K!

- 30040-19100 Front case sepia brown for Trumatic S 3002
- 30040-19200 Front case sepia brown for Trumatic S 3002 P (including piezo ignitor)
- 30040-19300 Front case agate grey for Trumatic S 3002
- 30040-19400 Front case agate grey for Trumatic S 3002 P (including piezo ignitor)



Additional electric heater Truma-Ultraheat

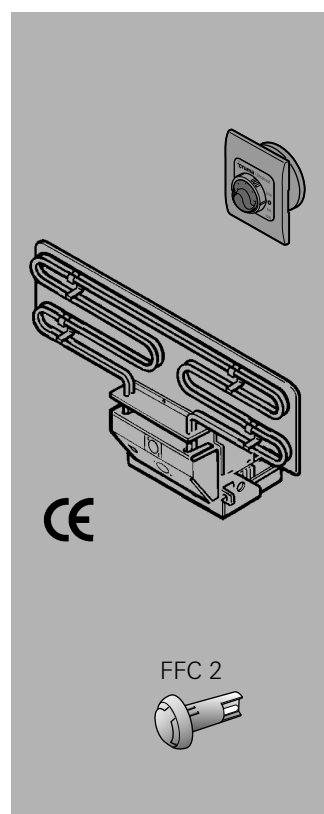
Additional electric heater with thermostat, control panel and 3 m connecting cable. Suitable for the heaters Trumatic S 3002 (P) after date of manufacture 07/81 and Trumatic S 5002 after 04/98 (with new semi-circular front design) and Truma S 55 T. - Installation between the heat exchanger and installation box. Not to be used for Trumatic S 3002 K, S 5002 K, and S 5002 until 04/98 (with old rectangular front design).

Power supply: 230 V~, 50Hz

Power consumption at power setting: 500 W: 2.2 A
1000 W: 4.5 A
2000 W: 8.5 A

Weight: approx. 2 kg

- 30402-02 Additional electric heater Truma-Ultraheat (not suitable for use with the heater Truma S 55 T)
- 30402-09 Elektro-Zusatzheizung Ultraheat (**only for use with the heater Truma S 55 T**)
- 34300-01 Extension cable 5m for the control panel (not illustrated)
- 34201-01 Remote sensor **FFC 2** c/w 4 m connecting cable



Accessories for the control panel see page 17

Trumavent fans for the heaters Trumatic S (not for Truma S 55 T)



		TEB-2 (12 V)	TN-2 (230 V)
Current input:		0.3 - 1 A (4 - 13 W)	0.5 A (65 W)
Air flow with air duct:	ÜR Ø 65 mm	135 m ³ /h	169 m ³ /h
	VR Ø 72 mm	142 m ³ /h	182 m ³ /h
41122-01	Trumavent fan TEB-2 (12 V) , with automatic speed control and control panel to fit in front case (only for Trumatic S 3002 with new design)		
41122-02	Trumavent fan TEB-2 (12 V) , as above with external control panel		
41232-01	Trumavent fan TEN-2 , 12 V fan with automatic speed control, control panel to fit in front case and Transformer 230 /12 V (only for Trumatic S 3002 and S 5002 with new design)		
41232-02	Trumavent fan TEN-2 , as above with external control panel		
41222-01	Trumavent fan TN-2 (230 V) , with external control panel		
40000-47700	Transformer SPU 230 /12 V, for operation of the Trumavent fan TEB-2 with 230 V		

Accessories for external control panels see page 17

Multivent-Fan TBM

For warm air distribution of the heater Trumatic S 2200 (in conjunction with a intake nozzle DM, part no. 40670-00), as an additional fan for increasing the air output in particularly long warm air duct systems or as an extractor fan in the kitchen or toilette.

41141-01	Multivent fan TBM 12 V (universal fan)		
	Measurements:	L 150/W 130/H 124 mm	
	Current input:	partial load: 0.23 A full load: 0.5 A	
	Air flow rate:	partial load: 29 m ³ /h full load: 60 m ³ /h	

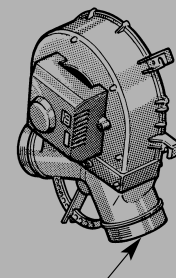
Accessories for the control panel see page 17

Accessories for Truma Multivent fan 12 V

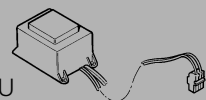
40670-00	Air intake nozzle DM for connecting the Multivent fan to the heater rear panel or installation box (suitable for air ducts ÜR Ø 65 mm)		
30630-02	Roof flue AKR for ventilation outlet (with rain protection)		

Truma Comfort kit with Airmix

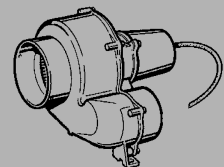
40621-01	Comfort kit AXK-2 , c/w Airmix, for Trumavent fans after 05/96 (not for motor caravans or floor flued heaters) - not for Truma S 55 T -		
40000-47900	Control panel cable 1300 mm long, necessary for Trumavent fans TEB 2 from 05/96 with the control panel integrated in the front case of the heater (not illustrated)		
40620-01	Comfort kit AXK , c/w Airmix, for Trumavent fans until 05/96 (not for motor caravans or floor flued heaters)		



Connection for air ducts ÜR Ø 65 mm or VR Ø 72 mm



SPU

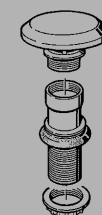


Connection for air duct ÜR Ø 65 mm

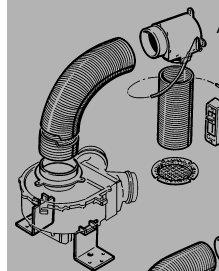
DM



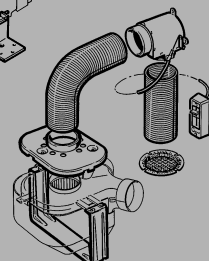
AKR



AXK-2



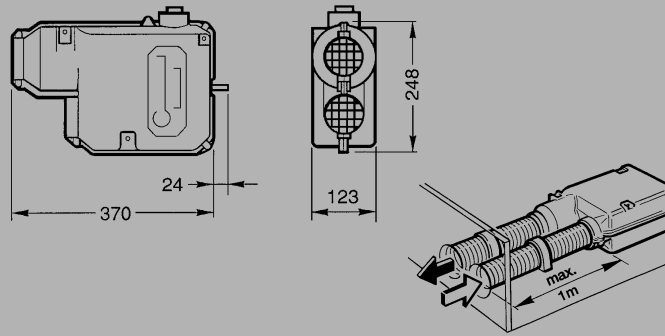
AXK



Trumatic E 2400

The Trumatic E 2400 is approved by the General Federal Office for Motor Vehicles. Test symbol:

~S 260



Product Ident. Number:

CE0085AO008

Rated thermal output:

2400 W

Gas consumption:

propane/butane

Partial-/Full load: 100/200 g/h
natural gas

Partial-/Full load: 130/240 l/h

Current input:

0.6 / 1.1 A

Rest current: 0.01 A

Air flow rate: 49 / 78 cm³/h

Weight: 4.7 kg

Heater with thermostat, control panel, 4 m cable and mounting kit (models with **50 mbar**, für **Erdgas (CNG)**, versions with a 10 m control panel cable, **24 V** or with a special control panel for installation in existing cut-outs on request).

37111-01

Trumatic E 2400 **30 mbar**, 12 V, (without flue kit)

Accessories for the control panel see page 17

Flue kits Trumatic E 2400

39371-01

Wall flue kit EW 24 **creme** (without cowl cover), c/w 1 m exhaust duct, 1 m combustion air supply duct and clips

39371-04

Wall flue kit EW 24 **bianco** (without cowl cover), c/w 1 m exhaust duct, 1 m combustion air supply duct and clips

39371-03

Wall flue kit EW 24 **black** (without cowl cover), c/w 1 m exhaust duct, 1 m combustion air supply duct and clips

39371-02

Wall flue kit EAW 24 **creme** (without cowl cover), for external fitted heaters c/w 0.5 m exhaust duct, 1 m combustion air supply duct, clips and air duct leadthrough

39371-05

Wall flue kit EAW 24 **bianco** (without cowl cover), for external fitted heaters c/w 0.5 m exhaust duct, 1 m combustion air supply duct, clips and air duct leadthrough

39371-06

Wall flue kit EAW 24 **black** (without cowl cover), for external fitted heaters c/w 0.5 m exhaust duct, 1 m combustion air supply duct, clips and air duct leadthrough

39140-00

Cowl cover **KKW creme** for wall flue **until** 03/2001

39140-02

Cowl cover **KKW bianco** for wall flue **until** 03/2001

39140-01

Cowl cover **KKW black** for wall flue **until** 03/2001

39141-00

Cowl cover **KKW-2 creme** for wall flue **from** 03/2001

39141-02

Cowl cover **KKW-2 bianco** for wall flue **from** 03/2001

39141-01

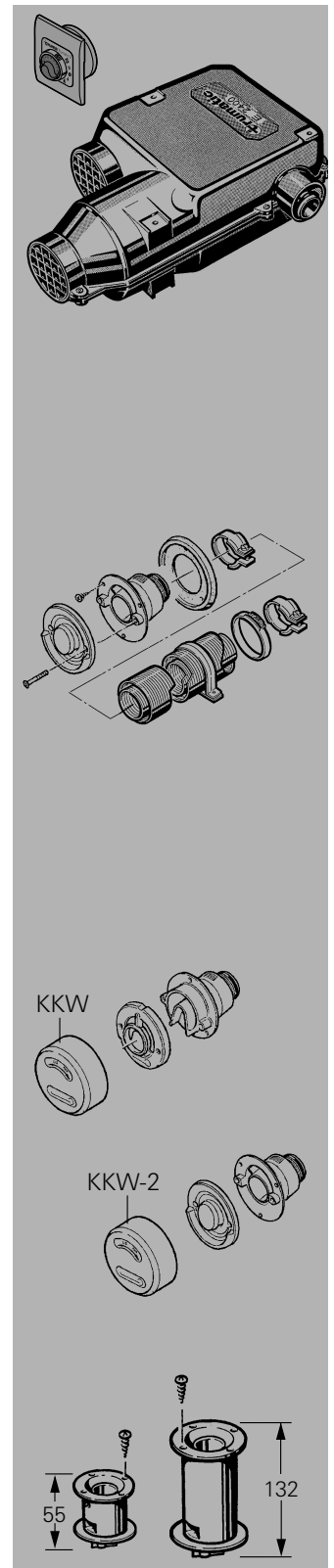
Cowl cover **KKW-2 black** for wall flue **from** 03/2001

39061-00

Floor flue BK 24 long

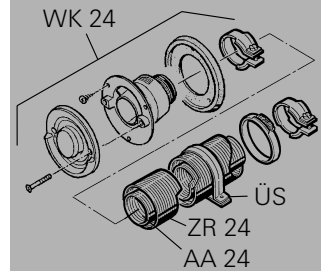
39061-01

Floor flue BK 24 short
only for vehicles with a floor thickness up to 10 mm



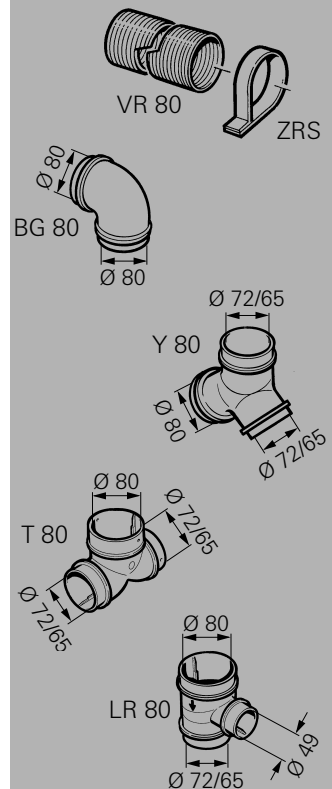
Single flue parts Trumatic E 2400

39381-01	Wall flue WK 24 creme (without ducts)
39381-06	Wall flue WK 24 bianco (without ducts)
39381-03	Wall flue WK 24 black (without ducts)
39420-00	Exhaust duct AA 24 , Ø 33 mm (per metre)
39440-00	Combustion air supply duct ZR 24 , Ø 64 mm (per metre)
40240-02	Clip ÜS , Ø 65 mm black



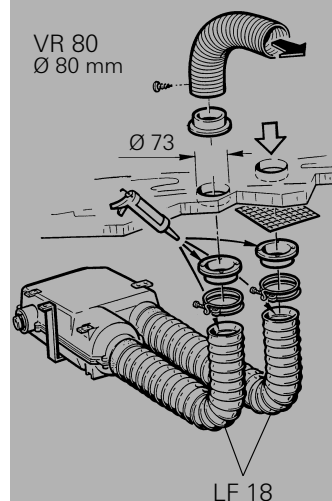
Air ducting parts Trumatic E 2400

39450-00	Air duct VR 80 (per metre) outer Ø 80 mm, inner Ø 76 mm
39590-00	Clip ZRS Ø 80 mm
39490-00	Elbow 90° BG 80 (for air duct Ø 80 mm)
39610-00	Y -pipe 80 (inlet: Ø 80 mm, outlet: 2 x Ø 65/72 mm)
39540-00	T -pipe 80 (inlet: Ø 80 mm, outlet: 2 x Ø 65/72 mm)
39500-01	Air diffuser LR 80 (inlet: Ø 80 mm, outlet: 1 x Ø 65/72 mm and 1 x Ø 49 mm)



Air leadthrough for external fitted heaters Trumatic E 2400

39080-16900	Air duct LF 18 , Ø 76 mm for external fitting (standard length 60 cm)
39080-21800	Wire clip LFS 18
39050-73400	Connector-piece (for air ducts Ø 76 mm)
39080-15900	Protection grill
39050-74000	Fastening strap

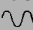


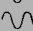
The layout of the warm air distribution is individually matched to the type of vehicle (see Truma warm air ducting accessories from page 14).

Trumatic E 2800 (A) E 4000 (A)

The Trumatic E 2800 and E 4000 are approved by the General Federal Office for Motor Vehicles

Test symbol:

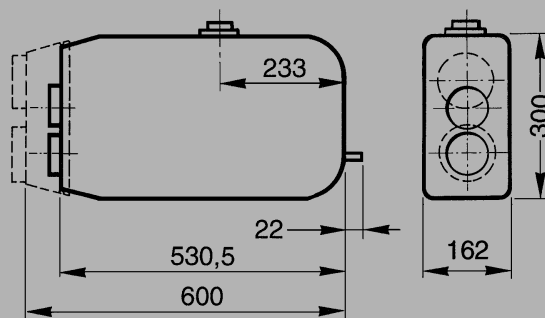
E 2800:  S 140

E 4000:  S 139

Product Ident. Number:

E 2800: CE-0085AP0231

E 4000: CE-0085AP0232



Rated thermal output:

E 2800: 2800 W

E 4000: 3700 W

Gas consumption: E 2800:

Partial load: 110 g/h

Full load: 225 g/h

E 4000:

Partial load: 150 g/h

Full load: 310 g/h

Current input:

E 2800: 0.5 / 0.8 A

E 4000: 1.0 / 2.3 A

Rest current: 0.01 A

Weight: approx. 10 kg

Air flow rate:

E 2800: 51 m³/h / 78 m³/h

E 4000: 70 m³/h / 102 m³/h

Heater c/w thermostat, control panel with 4 m cable and mounting kit (models with **50 mbar**, versions with a 10 m control panel cable, **24 V** or with a special control panel for installation in existing cut-outs on request).

32211-01 Trumatic E 2800, **30 mbar**, 12 V (without flue kit)

32311-01 Trumatic E 4000, **30 mbar**, 12 V (without flue kit)

32151-01 Trumatic E 2800 A, **30 mbar**, 12 V for external fitting (without flue kit)

32491-01 Trumatic E 4000 A, **30 mbar**, 12 V for external fitting (without flue kit)

Accessories for the control panel see page 17

Flue kits Trumatic E 2800 and E 4000

39690-01 Wall flue kit EW **creme** c/w 1 m exhaust duct, 1 m combustion air supply duct and clips

39690-03 Wall flue kit EAW **creme** (for external fitted heaters) c/w with 0,3 m exhaust duct, 0,3 m combustion supply duct and clips

39690-00 Roof flue kit ED c/w 2 m exhaust duct, 2 m combustion air supply duct, condensation trap and clips

39510-00 Floor flue AB

39340-01 Wall flue AW-2 **creme** c/w cover (without ducts)

39330-01 Wall flue cover **creme** KW-2

39600-01 Roof flue AD, c/w cover (without ducts)

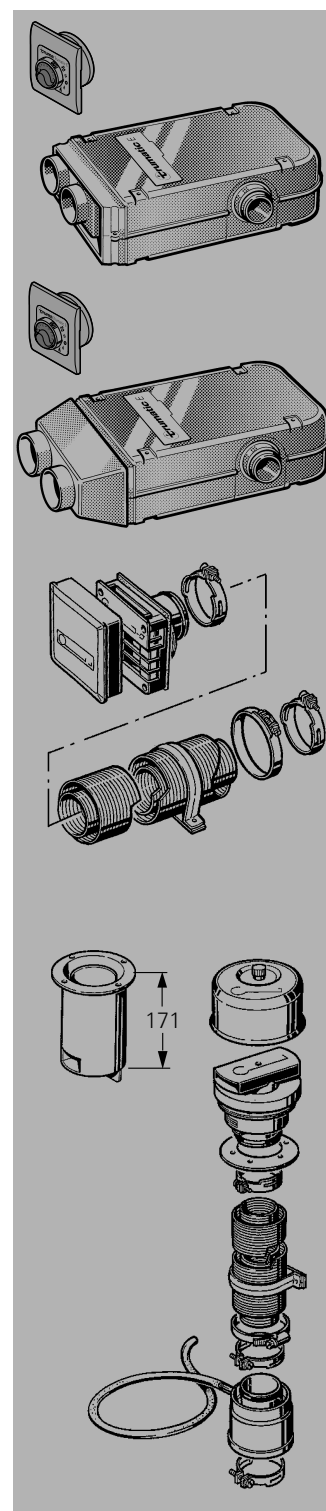
39620-01 Roof flue cover KMD

39670-00 Condensation trap KWA

39320-00 Exhaust duct AA 3, Ø 55 mm (per metre)

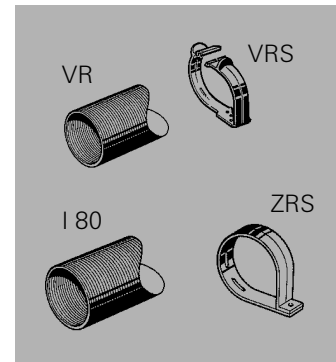
39580-00 Combustion air supply duct ZR, Ø 80 mm (per metre)

39590-00 Clip ZRS Ø 80 mm



Air ducting parts Trumatic E 2800 and E 4000

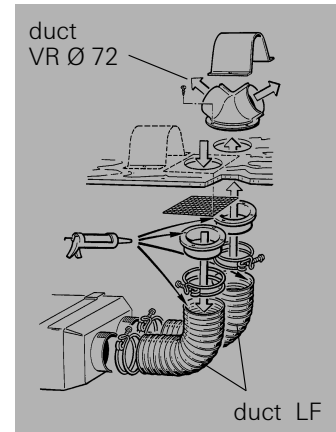
39550-00	Air duct VR , Ø 72 mm (per metre) for direct connection to the heaters Trumatic E 2800 and E 4000
39560-00	Clip VRS , Ø 72 mm
39570-00	Insulating duct I 80 , Ø 85 mm (for air duct VR 72, e.g. contact protection for Trumatic E 4000)
39590-00	Clip ZRS Ø 80 mm



Air leadthrough for external fitted heaters Trumatic E 2800 A and E 4000 A

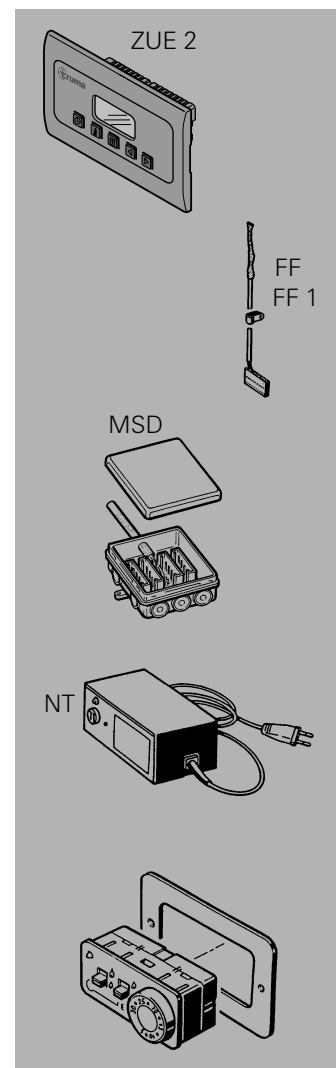
39760-00	Air duct LF , Ø 106 mm (per metre)
39770-00	Clip LFS, Ø 106 mm
39010-76900	Connector piece Ø 106 mm
39750-00	Air diffuser LVE (outlet for 2 x air duct VR Ø 72 mm) c/w protection grill and protective panel

The layout of the warm air distribution is individually matched to the type of vehicle (see Truma warm air ducting accessories from page 14).



Accessories for electronics Trumatic E

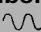
39891-00	Time switch ZUE 2 12 V/24 V c/w cover frame and 4 metres cable
39010-77300	Remote sensor FF c/w with 4 m cable
39010-77400	Remote sensor FF 1 c/w with 10 m cable
39010-78300	Extension cable 4 m for electrical accessories, e.g. time switch or remote sensor (not illustrated)
39010-78400	Extension cable 10 m for electrical accessories, e.g. time switch or remote sensor (not illustrated)
39010-78200	Multiple plug adaptor MSD with 0,3 m connection cable (for connecting different accessories, e.g. time switch and remote sensor)
39900-01	Power supply unit NT 230/12 V steady load 6 A! Measurements: 19 x 13 x 7,5 cm, weight: 900 g
39050-39000	Special control panel for installation in existing cut-outs (e.g. instrument panel) with thermostat, 4 m cable and installation frame
39050-38900	Special control panel for installation in existing cut-outs (e.g. instrument panel) with thermostat, 10 m cable and installation frame

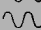


Trumatic C 3402, C 6002

The Trumatic C 3402 and C 6002 are approved by the General Federal Office for Motor Vehicles.

Test symbol:

C 3402:  S 300

C 6002:  S 301

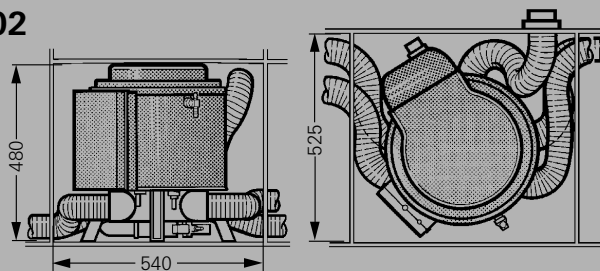
Product Ident. Number:

C 3402 CE-0085AS0121

C 6002 CE-0085AS0122

Water capacity: 12 litres

Weight: 17.6 kg
(without water)



Burner stage	Trumatic C 3402		Trumatic C 6002		
	1	2	1	2	3
Rated therm. output:	2000 W	3400 W	2000 W	4000 W	6000 W
Gas consumption:	170 g/h	285 g/h	170 g/h	330 g/h	490 g/h

Current input at 12 V:
(heater + boiler)

C 3402: 0.2 - 2.4 A

C 6002: 0.2 - 5.6 A

(heating up boiler): 0,4 A

Rest current: 0.001 A

Heating up time to 70°C:

approx. 35 Min. (boiler)

app. 80 Min. (heater + boiler)

Water pressure:

max. 2.8 bar

Air flow rate:

C 3402: max. 203 m³/h

C 6002: max. 287 m³/h

Heater with thermostat, control panel, 3 m connecting cable, mounting parts and electrical safety/drain valve. Heaters with an operating pressure of **50 mbar** or models with water connections for semi-rigid piping and special recessed control panel for the english market on request.

- 33312-01 Trumatic C 3402 **30 mbar**, 12 V (without flue kit)
- 33332-01 Trumatic C 3402 EL **30 mbar**, 12 V with electrical heating collar for warm water 230 V, 450 W (without flue kit)
- 33612-01 Trumatic C 6002 **30 mbar**, 12 V (without flue kit)
- 33632-01 Trumatic C 6002 EL **30 mbar**, 12 V with electrical heating collar for warm water 230 V, 450 W (without flue kit)

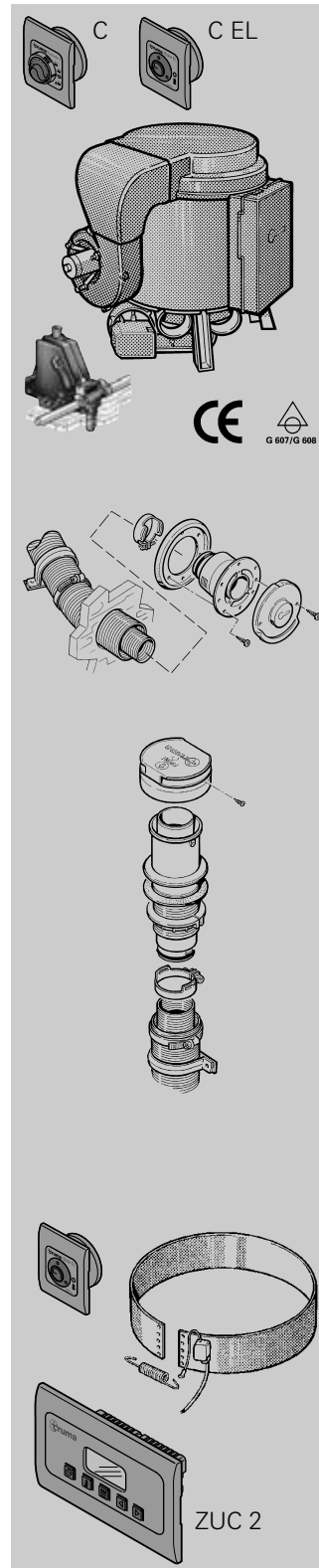
Accessories for the control panel see page 17

Flue kits Trumatic C

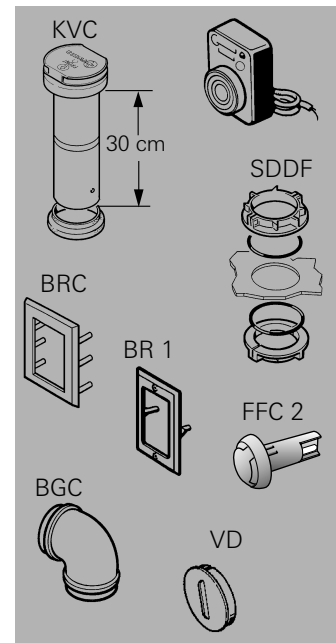
- 34110-01 Wall flue kit CW **creme**, with 1 m exhaust duct, 1 m combustion air supply duct and clips (without cover)
- 34110-02 Wall flue kit CW **bianco**, with 1 m exhaust duct, 1 m combustion air supply duct and clips (without cover)
- 34121-01 Roof flue kit CD, with 2.5 m exhaust duct, 2.5 m combustion air supply duct and clips (without cover)
- 34011-01 Wall flue WKC **creme** (without cover and ducts)
- 34011-05 Wall flue WKC **bianco** (without cover and ducts)
- 34051-01 Roof flue DKC 2 (without cover and ducts)
- 39320-00 Exhaust duct AA 3, Ø 55 mm (per metre)
- 39580-00 Combustion air supply duct ZR, Ø 80 mm (per metre)
- 39590-00 Clip ZRS, Ø 80 mm

Accessories Trumatic C

- 34300-01 Extension cable 5 m for control panel (not illustrated)
- 34141-01 Heating collar retrofit kit 230 V, for warm water with control panel in the **new** design (only for series 2)
- 34042-01 Time switch **ZUC 2** c/w 3 m cable and cover frame
- 34000-37000 Extension cable 5 m for time switch **ZUC 2** (not illustrated)

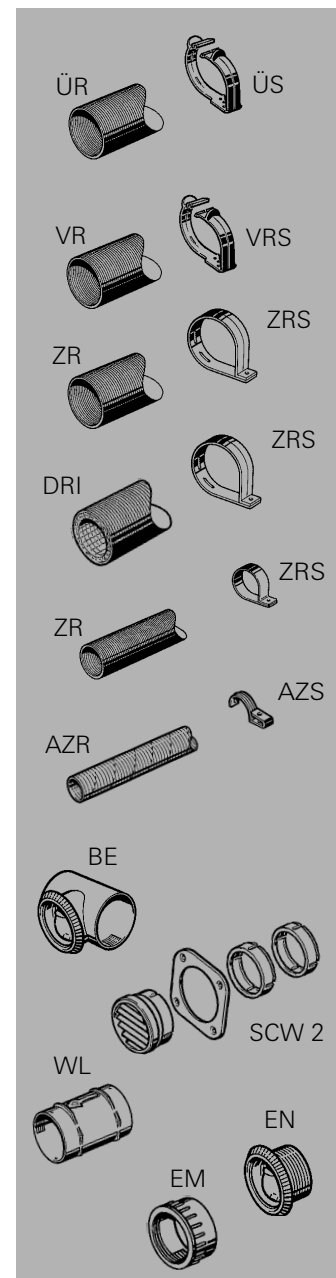


34170-01	Remote control for the electrical safety-/drain valve Series 2 from 06/97 c/w 3 m connecting cable
34000-86000	Cable extension 5 m for remote control
34070-01	Flue extension KVC 30 cm
34080-01	Flue leadthrough SDDF for caravan protection double-roofs
34030-01	Control panel frame BRC for flush fitting control panels in the old design or the time switch ZUC
39981-01	Control panel frame BR 1 for flush fitting control panels in the old design for electrical heating 230 V or remote control
34201-01	Remote sensor FFC 2 c/w 4 metres connecting cable for units up to 04/02 and with control panel in the old design
34090-00	Elbow BGC for direct connection to the warm air outlet of the heater Trumatic C (outlet for air ducts Ø 65 or 72 mm)
40352-00	Blanking plug VD for closing a warm air outlet at the heater Trumatic C 3402

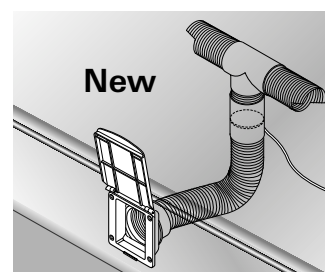
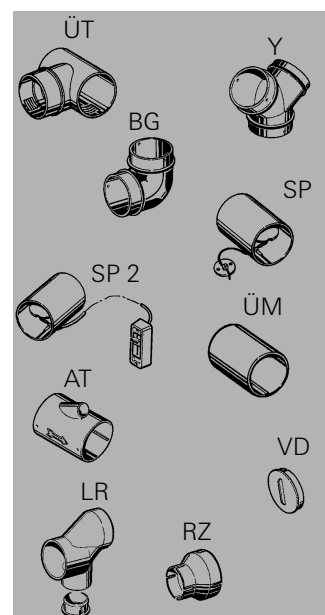


Truma warm air ducting

40230-00	Air duct ÜR , Ø 65 mm (per metre)
40240-00	Clip ÜS , Ø 65 mm
39550-00	Air duct VR , Ø 72 mm (per metre)
39560-00	Clip VRS , Ø 72 mm
39580-00	Air duct ZR , Ø 80 mm (per metre)
40680-00	Insulated waterproof air duct DRI , Ø 85 mm (standard length 1.5 m)
39590-00	Clip ZRS , Ø 80 mm
39170-00	Air duct ZR , 18 Ø 49 mm
39190-00	Clip ZRS , 18 Ø 49 mm
40210-00	Air duct AZR , Ø 22 mm (per metre)
40220-00	Clip AZS , Ø 22 mm
40110-01	Air outlet BE beige (for air ducts Ø 65 or 72 mm)
39971-01	Swiveling air outlet SCW 2 black , a non-closable air outlet for the heaters Trumatic E + Trumatic C (for air ducts Ø 80, 72 or 64/65 mm)
39971-02	Swiveling air outlet SCW 2 beige , dto.
40700-01	Wall outlet vent WL (for air ducts Ø 65 or 72 mm)
40170-01	End air outlet EN beige (for air ducts Ø 65 mm)
40180-00	Nut EM

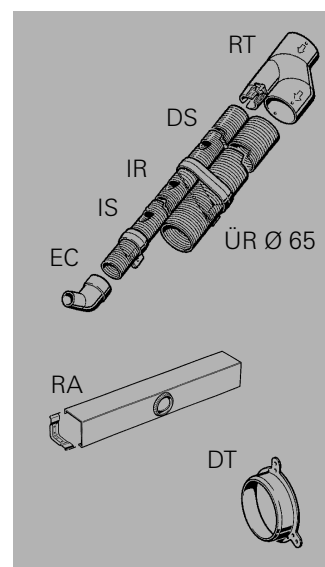


40150-01	T-pipe ÜT beige (for air ducts Ø 65 or 72 mm)
40190-00	Y-pipe beige (for air ducts Ø 65 or 72 mm)
39010-76400	Elbow BG (for air ducts Ø 65 or 72 mm)
40120-00	Cord operated duct shut off SP (for air ducts Ø 65 or 72 mm)
40120-01	Remote controlled duct shut off SP 2 as above, but with abowden cable and a control slide for fitting on a wardrobe
40160-00	Straight coupling ÜM (for air ducts Ø 65 or 72 mm)
40130-00	Branch-T AT , e.g. for refrigerator ventilation in summer (for air ducts Ø 65 or 72 mm) outlet Ø 22 mm)
40352-00	Blanking plug VD
39010-81300	Reducer RZ (from air ducts Ø 72 mm to Ø 49 mm)
39410-01	Air diffuser LR (for air ducts Ø 65 or 72 mm, T-outlet Ø 49 mm)
40370-01	Awning warmer ivory , made up of Air outlet with cover, 1 m air duct Ø 65 mm, T-pipe ÜT and remote controlled duct shut off SP 2
40370-02	Awning warmer white , dto.



Truma Isotherm system

40300-00	Duct branch RT for Isotherm system (for air duct Ø 65, outlet Ø 35 mm)
40320-00	Isotherm duct IR Ø 35 mm (per metre)
40340-00	Double-clip DS (for isotherm duct Ø 35 mm and air duct ÜR Ø 65 mm)
40330-00	Clip IS (for isotherm duct Ø 35 mm)
40310-00	Corner air outlet EC for isotherm duct Ø 35 mm (with cover)
40640-00	Duct casing RA , length 65 cm, incl. 2 holding angles (without air outlet)
40660-00	Air intake nozzle DT Ø 80 mm (for fan connection in special cases)



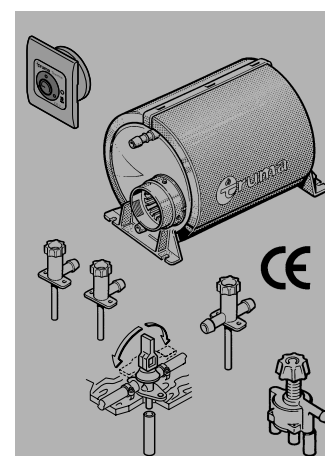
Truma-Therme

Water capacity: 5 litres
Water pressure: max 1.2 bar
Heating time: approx. 50 min.

Electric heater element: 230 V ~ (300 Watt)
Temperaturer: 65°C
Length / high / breadth: 37 cm / 23 cm / 22 cm
Weight: approx. 2 kg (without water)

42013-01	Therme TT-2, c/w remote control and drain valve and breather valve (without mixing valve)
40020-00900	Drain valve with double connection
40020-00300	Mixing valve for Truma-Therme
70141-10	Safety/drain valve ABO 1,5 bar for flexible water hose necessary when connecting the Truma-Therme to a central water supply (city mains)

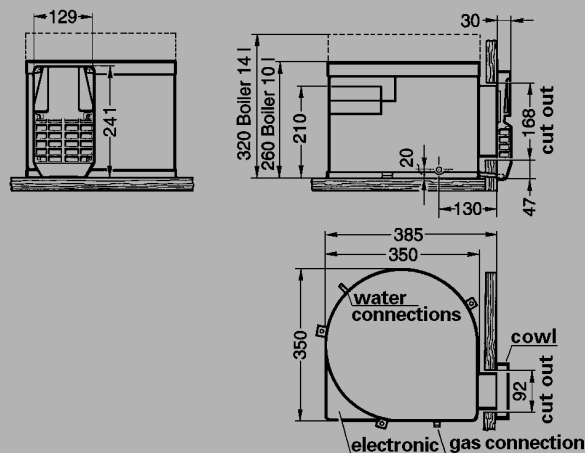
Accessories for the control panel see page 17



Truma-Boiler

Product Ident. Number:
CE-0085AP0038

Water capacity: 10 / 14 litres
Water pressure: up to 2.8 bar
Weight (without water):
Boiler 10 l: approx 6.7 kg
Boiler 14 l: approx 7.3 kg



Gas consumption: 120g/h
for 10 l water: 64 g
for 14 l water: 92 g

Water hose connection:
Pressure-tight hot water
hose (e.g. Truma SBH special
hose) Ø 10 mm

**Current consumption at
12 V:** Ignition: 0.17 A
Heating up: 0.08 A
Standby: 0.04 A

**Heating time up to
approx. 70°C**
Gas operation: approx. 35 min.
electrical operation:
approx. 70 min.
Gas and electrical:
approx. 20 min.

Water heater with control panel, 2,5 m connecting cable, wall flue, flue cover KBS 2, safety/drain valve and non return valve. Water heaters with an operating pressure of **50 mbar** or with a special recessed control panel for the english market (Ultrastore) on request.

71513-02	Boiler B 10 / 10 litres, 30 mbar
71553-02	Boiler B EL 10 / 10 litres, 30 mbar with electrical heating element for warm water 230 V (450 Watt)
71613-02	Boiler B 14 / 14 litres, 30 mbar
71633-02	Boiler B EL 14 / 14 litres, 30 mbar with electrical heating element for warm water 230 V (450 Watt)

Accessories for the control panel see page 17

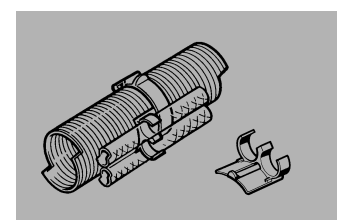
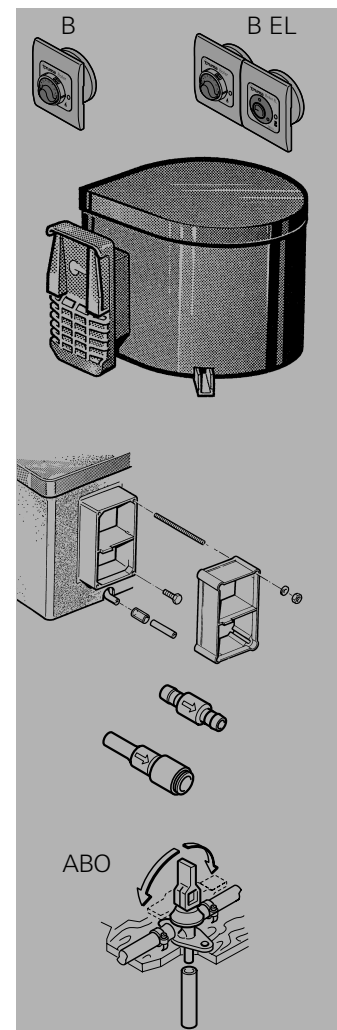
Installation accessories Truma Boiler

70000-53500	Cable extension 5 m for control panel (not illustrated)
70131-00	Flue extension VBO 2, length 50 mm (for wall thickness over 35 mm necessary)
70000-03300	Non return valve for flexible water hose Ø 10 mm (essential extra for immersion pumps)
70000-03400	Non return valve with a straight connector Ø 10 mm for semi-rigid piping (John Guest System)
70141-02	Safety/drain valve ABO 2,8 bar (in some fitting situations an additional valve will be necessary) for flexible water hose Ø 10 mm
70141-04	Safety/drain valve ABO 2,8 bar as above but with a straight connector Ø 10 mm for semi-rigid piping (John Guest System)
70141-01	Safety/drain valve ABO 2 bar for flexible water hose Ø 10 mm
70121-01	Flue cover KBS 2 (not illustrated) for Truma boiler series 2 + 3 after 01/92
70120-01	Flue cover KBS (not illustrated) for Truma boiler series 1 until 01/92

In difficult fitting situations within motor vehicles and caravans, the **Truma Boat Boiler** with flexible exhaust ducting via the wall or through the roof can be used.

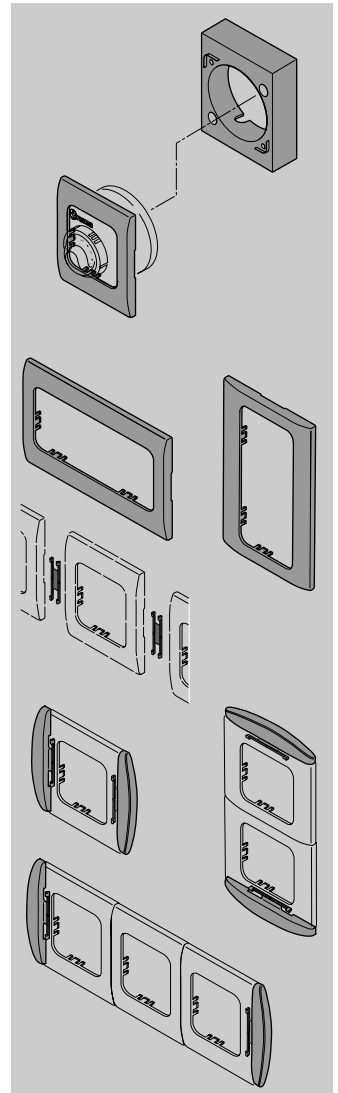
Accessories for the water system

70110-00	Water hose SBH (per metre) (food quality, pressure-tight up to 3,5 bar and temperature resistant up to + 80°C)
40710-00	Hose clip for securing water hose on warm air duct



Accessories for Truma-Control panels

40000-52600	Surface-mounting frame for control panel Cover frames for control panel (standard)
34000-60600	Cover frame agate grey (standard)
34000-67700	Cover frame black
34000-70600	Cover frame beige
34000-67900	Cover frame platinum
34000-67800	Cover frame gold
	Large cover frames for time switch and Sonatic
34000-65200	Large cover frame agate grey (standard)
34000-72600	Large cover frame platinum
34000-72700	Large cover frame gold
34000-72800	Large cover frame black
34000-74400	Large cover frame beige
34000-65900	Line-up clip, to connect two cover frames Side parts, provide a visually striking way to round off the cover frames (2 parts are necessary)
34000-61200	Side part agate grey (standard)
34000-69400	Side part perl-light-grey
34000-61400	Side part ultramarine blue
34000-69600	Side part ruby red
34000-66800	Side part black
34000-71400	Side part beige
34000-66300	Side part platinum
34000-67400	Side part gold



Truma-Sonatic (Control panel in the **new** design available as from approx. August 2002)



Ultrasonic level indicator Sonatic to measure the contents of conventional commercial propane gas cylinders (steel and aluminium cylinders) with a filling weight of 5 kg or 11 kg (not suitable for tank gas cylinders).

Operational voltage 9 V or 12 V DC

Current consumption: max. 40 mA

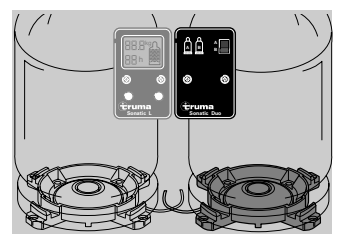
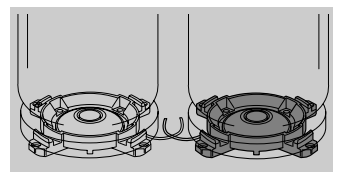
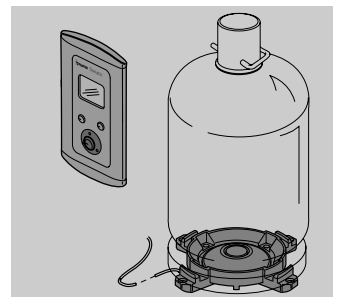
Average consumption in sustained operation: ca. 15 mA

Installation space required for gas cylinder mount:

230 x 230 mm with square installation space

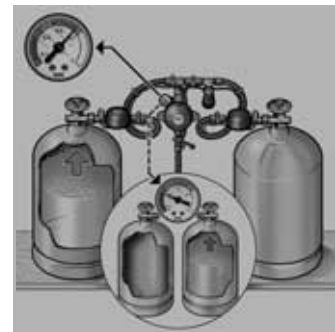
Additional height requirement in gas cylinder compartment: 20 mm

50300-02	Sonatic with control panel in the new design
50000-36300	Sonatic Duo, to measure the contents of two gas cylinders (Supplementary unit, only in conjunction with the level indicator Sonatic with control panel in new Design)
50000-29000	Sonatic Duo, to measure the contents of two gas cylinders (Supplementary unit, only in conjunction with the level indicator Sonatic with control panel in old Design)

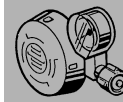


Truma accessories for the gas supply

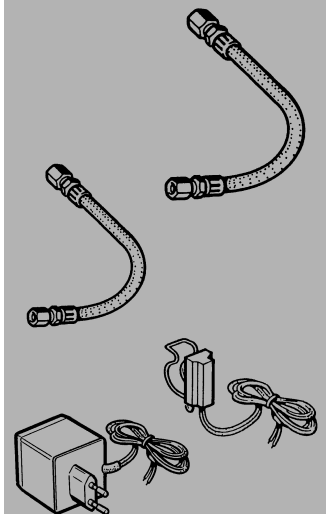
51300-02	Triomatic, 30 mbar , gas pressure regulator set with automatic switch-over device for two-cylinder system with 8 mm gas pipe connection. (1 appliance- 1 operating- 1 reserve regulator, 2 flexible gas tubes W 40 / 3/8"l/h and 1 T-piece) *)
51300-03	Triomatic, 30 mbar , as above for 10 mm gas supply line *)
51300-01	Triomatic, 50 mbar , as above for 8 mm gas supply line *)
50610-05	Flexible gas tube W 40 / 3/8"l/h 40 cm long for Triomatic (spare)
50610-06	Flexible gas tube W 100 / 3/8"l/h 100 cm long for Triomatic
50610-07	Flexible gas tube W 150 / 3/8"l/h 150 cm long for Triomatic
50201-01	Remote indicator, for Triomatic regulator switch-over automatic, 12 V (to prevent malfunctions occurring in the gas system during winter operation , the remote indicator can be supplemented with one or two defrosters (Eis-Ex) (Part. no. 53100-01)
52110-02	DUB gas pressure regulator, 30 mbar , with manometer for single gas cylinder unit *)
52110-01	DUB gas pressure regulator, 50 mbar , with manometer for single gas cylinder unit *)
50610-01	Flexible gas tube W 40 1/4"li./8 mm (cold resistant, 40 cm long)
50650-01	Flexible gas tube W 40 1/4"li./10 mm (cold resistant, 40 cm long)
50620-01	Flexible gas tube W 100 1/4"li./8 mm (cold resistant, 100 cm long)
50670-01	Flexible gas tube W 100 1/4"li./10 mm (cold resistant, 100 cm long)
50640-01	Flexible gas tube W 150 1/4"li./8 mm (cold resistant, 150 cm long)
50660-01	Flexible gas tube W 150 1/4"li./10 mm (cold resistant, 150 cm long)
53100-01	De-icer „Eis-Ex“ 12 V antifrost for pressure regulator
53110-01	TEX transformer plug (12 V, 4 Watts) for operation of the „Eis-Ex“ with 230 V
57002-01	Gas remote switch GSE 12 V for single gas cylinder unit with 8 mm gas supply line , mounting between gas pressure regulator and flexible gas tube, c/w 1.5 m connecting cable for smaller systems with a gas consumption of up to 0.5 kg/.
57012-01	Gas remote switch GS 8 12 V for single and two-cylinder gas unit with 8 mm gas supply line , mounting on single cylinder unit between flexible gas tube and gas line, on Truma-Duomatic between T-piece and gas line, on Truma-Triomatic between appliance regulator and gas line, c/w 1.5 m conn. cable
57022-01	Gas remote switch GS 10 12 V dto. for single and two-cylinder gas unit with 10 mm gas supply line .
39010-28600	Gas pipe EO 8 x 1 mm plastic-laminated (6 metre roll)
39010-28500	Pipe clips EOS 8 with rubber lining and screw (10/pack)
39030-13200	Gas pipe EO 10 x 1 mm plastic-laminated (bar with 3 metres length)
39030-13400	Pipe clips EOS 10 with rubber lining and screw (10/pack)



CE



***) Please note:**
These regulators are only permitted for camping purposes. They must not be used in enclosed spaces (i.e. houses)!



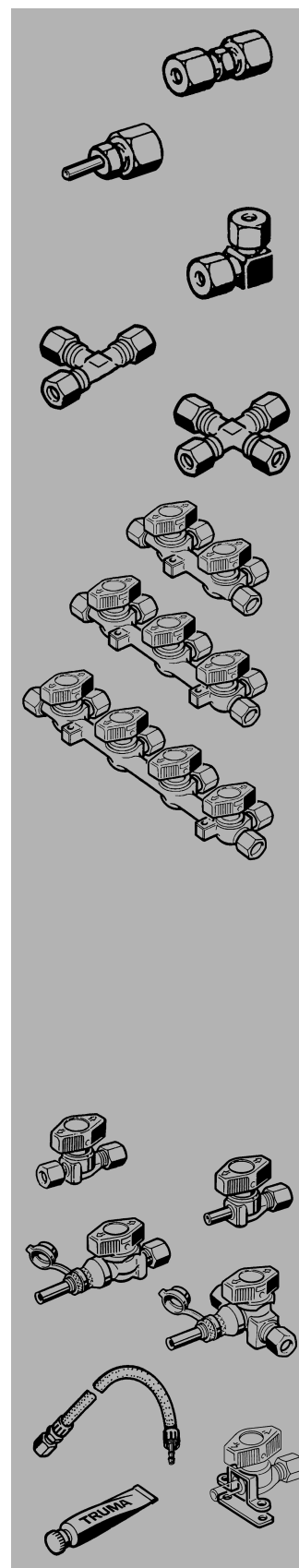
CE

G 607/G 608

Attention: This gas remote switch may only be used, if it is ensured that all gas appliances are fitted with a safety pilot. This is for example the case with the actual Truma space and water heating systems.



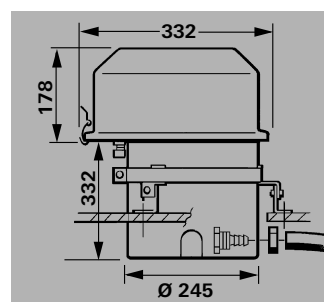
10160-00	Straight union G 8 for gas pipe 8 mm
10161-00	Straight union G 10 for gas pipe 10 mm
50040-11900	Straight reducer union G 8/10 from 8 mm to 10 mm
50000-06500	Straight reducer union 10/Z 8 from 10 mm screw fitting to 8 mm pipe stud
10170-00	Elbow union W 8 for gas pipe 8 mm
10171-00	Elbow union W 10 for gas pipe 10 mm
10180-00	T-union T 8 for gas pipe 8 mm
10181-00	T-union T 10 for gas pipe 10 mm
10111-00	T-union T 10/8 (10 mm x 8 mm x 10 mm)
10190-00	Cross union KR 8 for gas pipe 8 mm
24111-01	Manifold valve VK 2-8 , inlet 8 mm with 2 outlets 8 mm
24131-01	Ventilblock VK 3-8 , inlet 8 mm with 3 outlets 8 mm
24132-01	Ventilblock VK 3-10 , inlet 10 mm with 3 outlets 8 mm
24151-01	Ventilblock VK 4-8 , inlet 8 mm with 4 outlets 8 mm
24152-01	Ventilblock VK 4-10 , inlet 10 mm with 4 outlets 8 mm
20000-19600	Blanking plug BS 8 mm (for closing free outlets) - not illustrated
20000-21700	Blanking plug BS 10 mm (additional) - not illustrated
20000-46900	Connector 8-8 mm for joining to manifolds with each other (not illustrated)
20000-47000	Connector 10-10 mm for joining to manifolds with each other (not illustrated)
20000-47100	Connector 10-8 mm for joining to manifolds with each other (not illustrated)
23110-01	Straight quick-acting valve K 8 Ms (both ends 8 mm screw-fitting)
23190-01	Straight quick-acting valve K 8 - Z 8 Ms (outlet 8 mm pipe stud)
23250-01	Coupling quick-acting valve KV 8
23270-01	Branch coupling quick-acting valve AKV 8
39010-04500	Flexible gas tube W 100 for coupling valves with coupling stud and screw-fitting R 1/4" left
20000-22900	Bow strap 17 mm (for attaching the quick-acting)
20000-22700	Spacer 2 mm for bow strap 17 mm
10690-00	Truma paste 400 (25 g tube) heat-proof sealing-and sliding paste for screw-fittings



Truma gas cylinder box

Truma plastic gas cylinder box for 5 kg propane gas cylinders with ventilation 2 cm³. Universal fastening e.g. free standing inside the vehicle or sunk-in the vehicle floor.

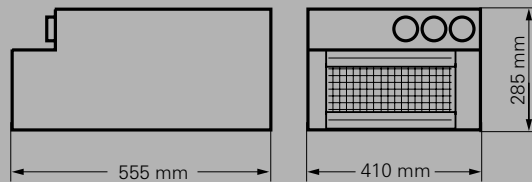
50110-01	Gas cylinder box for 5 kg propane cylinders
----------	---



Truma-Air-conditioning units

Air-conditioning unit with Infra-red remote control for caravans und mobile homes.
 Low centre of gravity through installation in lower stowage compartment. No impose of any load on the roof.
 A variety of different installation suggestions are provided in the Air-conditioning Equipment Technical Details and Installation Instructions brochure, which we shall be happy to provide on request.

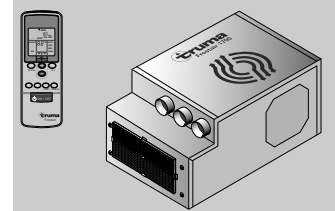
Truma-Frostair 1700



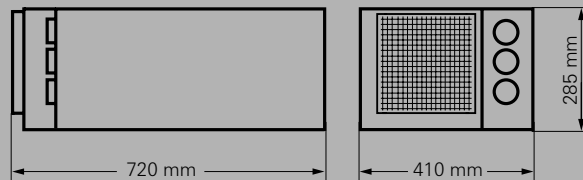
Weight: approx. 26.3 kg
Power supply:
 230 V - 240 V ~, 50 Hz
Power consumption:
 2.8 A, 650 W
Start-up current: 15 A (150 Ms)
Max. cooling capacity: 1.7 kW

44011-01

Frostair **1700** compl. with standard installation kit, (supply air intake and supply air outlet pass through the floor of the vehicle)



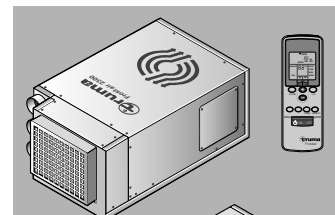
Truma-Frostair 2300



Weight: ca. 28.3 kg
Power supply :
 230 V - 240 V ~, 50 Hz
Power consumption :
 4.1 A, 950 W
Start-up current : 20 A (150 Ms)
Max. cooling capacity : 2,3 kW

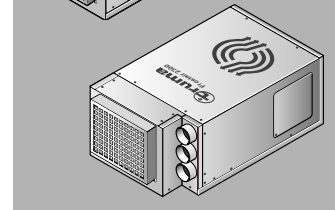
44031-01

Frostair **2300** compl. with standard installation kit,
 Cold air outlet on the **right** side (supply air intake and supply air outlet pass through the floor of the vehicle)
New: The particle filter for purification of the interior air can be replaced from the front.



44031-02

Frostair **2300** compl. with standard installation kit,
 Cold air outlet on the **left** side (supply air intake and supply air outlet pass through the floor of the vehicle)
New: The particle filter for purification of the interior air can be replaced from the front.



Installation kits for alternative supply air intake

40040-28400

Air intake channel **1700** kpl. (supply air intake passes through the floor of the vehicle)

40040-24700

Air intake channel **2300** kpl. (supply air intake passes through the floor of the vehicle)

40040-29400

Flexible supply air intake duct **1700** and **2300** (length 1 m). supply air intake passes through the floor or the wall of the vehicle)

40040-34800

Extension cable 3 m for IR-receiver (not illustrated)

40040-17400

Air connection flange

40040-10800

Duct Ø 162 mm (25 cm long)

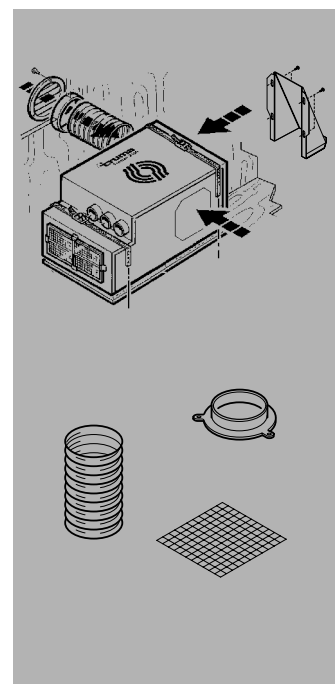
40040-11400

Duct Ø 162 mm (per metre)

40040-34500

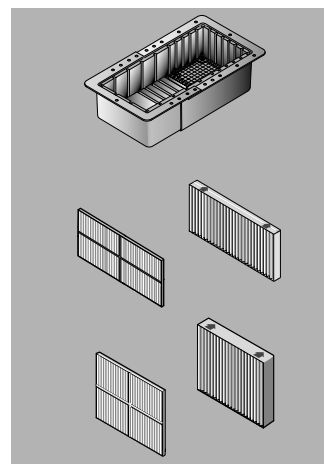
Grille large

Note: The alternative supply air intake (intake channel and flexible air intake duct) can be connected optionally to the right, left or rear face of the appliance.
 The supply air outlet is always passed through the floor of the vehicle.



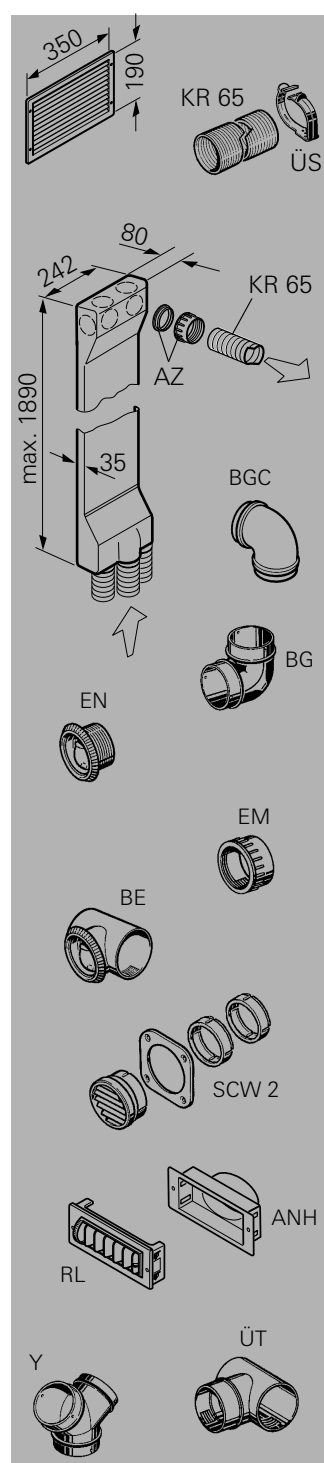
Truma-Frostair Accessories

40040-32500	Air outlet channel 1700 and 2300 (for minimising noise outside the living area) - for Frostair 2100 2 channels are necessary
40040-23600	Subsequent particle filter for circulating air, compl. with mounting frame (only for Truma-Frostair 1700) - not illustrated -
40040-23100	Replacement particle filter Frostair 1700
40040-13800	Replacement flow filter Frostair 1700
40040-27000	Replacement particle filter Frostair 2300
40040-28100	Ersatz-Flusenfilter Frostair 2300

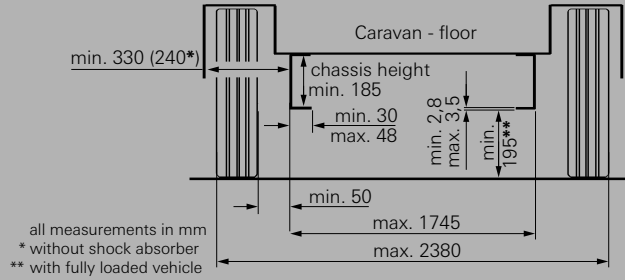


Truma-Frostair Cold air distribution

40040-29200	Circulation air intake grille
40200-01	Cold air duct KR 65 , Ø 65 mm (per metre)
40240-02	Clip ÜS , Ø 65 mm black (to fix the cold air duct to the wall)
39050-71800	Clip (to fix the cold air duct to the appliance) - not illustrated
40040-32200	Cold air channel (without connector muffs AZ)
40040-24100	Connector muff AZ (to connect the cold air duct KR 65 to the cold air channel)
34090-00	Elbow BGC (to connect the cold air duct KR 65 to the connector muff AZ)
39010-76400	Elbow BG
40170-05	End air outlet EN black
40170-01	End air outlet EN beige
40180-00	Nut EM
40110-04	Air outlet BE black
40110-01	Air outlet BE beige
39971-01	Swiveling air outlet SCW 2 black
39971-02	Swiveling air outlet SCW 2 beige
40280-01	Rectangular air outlet RL black
40290-01	Connector ANH (necessary for cold air duct KR 65 connection to the rectangular air outlet)
40150-01	T-pipe ÜT beige
40190-00	Y-pipe beige



Euro Mover II



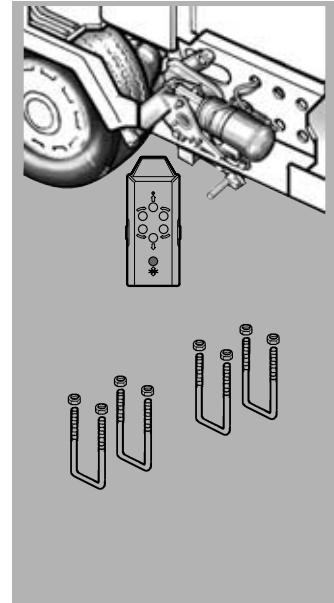
Power supply: 12 V
Power consumption:
 Maximum rate: 60 A
 Average rate: 15 A
Weight:
 Approx. 30 kg
Max. hill climbing ability:
 25% with a caravan with
 1200 kg weight

Manouvring aid with radio remote control for single axle caravans with a total weight up to 1600 kg. The easy way to manoeuvre your caravan or hitch to a stationary car tow ball without further assistance, even on difficult terrain.

61100-01 Euro Mover II complete

60010-00100 Extended „U“ bolt set c/w nuts (for installation in vehicles with a chassis height of less than 185 mm)

60010-19500 Cross actuation kit (Subsequent-installation set, in order for both rollers to be pressed against the wheels from one side and then released again) - not illustrated -



Truma Nova gaslights

Output: up to approx 60 Watt
Gas consump: 10 - 40 g/h

12310-01 Nova gaslight NLZS, **30 mbar**, with safety ignition device (c/w a white fibre glass shade SW, 2 screw-on mantle and heat deflector)

12230-02 Nova gaslight NLS, **30 mbar**, without safety ignition device (c/w a white fibre glass shade SW and 2 screw-on mantle)
Not for motorised vehicles!

All Truma Novagas lights are available with an operating pressure of **50 mbar** on request.

Accessories for Nova gaslights

10200-00 Screw-on mantle **NG**

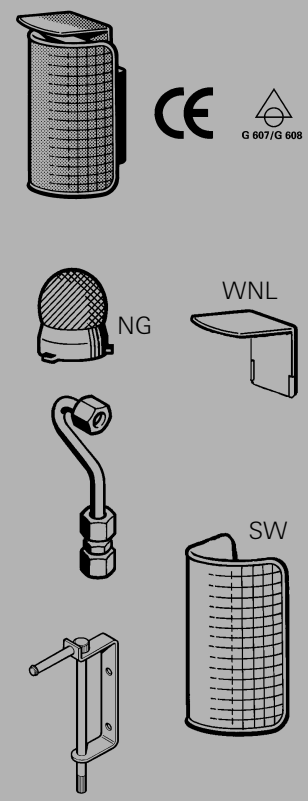
10000-32300 Heat deflector **WNL** (additional for gaslight NLS)

10000-38000 On surface fitting for laying the gas supply line on surface

10310-01 Shade **SW** (fibre glass, white) for Nova gaslights NLZS and NLS

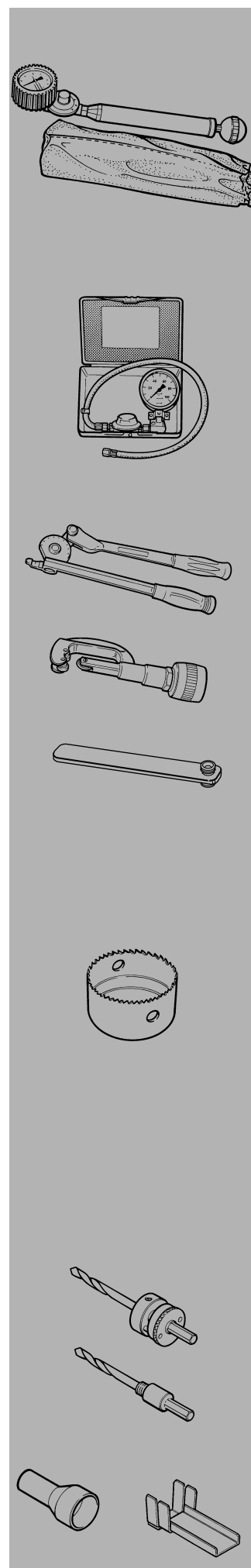
10000-05500 Flint ignitor

Product Ident. Number:
 NLZS: CE-0085AQ1055
 NLS: CE-0085AR0491



Testing kits and special tools (prices net - also for specialist shops)

54100-00	Leak testing kit DP, Pressure pump with pressure gauge for leak testing liquid gas systems in vehicles or boats. c/w a protective bag and sealing nipple for testing two-cylinder gas units (pressure limitation at approx. 150 mbar)
50610-01	Flexible gas tube W 40 1/4"li./8 for leak testing on vehicles with a 8 mm gas supply line
50650-01	Flexible gas tube W 40 1/4"li./10 for leak testing on vehicles with a 10 mm gas supply line
54110-00	Regulator testing kit RP, with pressure gauge for testing gas pressure regulators 30 or 50 mbar , fitted in a plastic box
50040-12900	Test adapter 1/4"l/h / 8 for testing the appliance regulator on the Truma-Triomatic with 8 mm gas supply line
50040-12800	Test adapter 1/4"l/h / 10 for testing the appliance regulator on the Truma-Triomatic with 10 mm gas supply line
50000-13800	Gas-pipe bender for gas supply line Ø 8 x 1 mm
50000-16100	Gas-pipe bender for gas supply line Ø 10 x 1 mm
50000-14400	Gas-pipe cutter
39010-31800	Pre cutting key, for pre-assembling olives on gas tubes 8 mm and 10 mm
50000-14500	Bore-crown Ø 102 mm for air duct leadthrough E 2800 A, E 4000 A
50000-17500	Bore-crown Ø 86 mm for swiveling air outlet SCW 2
50000-13300	Bore-crown Ø 83 mm for wall flue Trumatic C 3402, C 6002 or wall-, roof- and floor flue Trumatic E 2800, E 4000
50000-14600	Bore-crown Ø 70 mm for wall flue Trumatic E 2400, roof flue Trumatic S 5002 (E) (K) or air outlet BE and end air outlet EN
50000-14700	Bore-crown Ø 64 mm for floor flue Trumatic E 2400
50000-14800	Bore-crown Ø 60 mm for roof flue Trumatic S 2200 (P) and S 3002 (P) (K)
50000-13400	Bore-crown Ø 54 mm for control panel installation
50000-13500	Bore-crown Ø 22 mm for the leadthrough of the gas supply line or control panel cables
50000-13600	Holder for bore-crowns over Ø 25 mm
50000-12500	Spare drill bit 84 mm long for holder over Ø 25 mm
50000-13700	Holder for bore-crown Ø 22 mm
50000-11600	Spare drill bit 79 mm long for holder Ø 22 mm
30030-33000	Stainless-steel exhaust duct bender (Biegeboy)
30030-08000	Duct cutting device for stainless-steel exhaust ducts



Sale and Delivery Conditions

1. General

Our Conditions shall be deemed to have been agreed once and for all, even if we do not expressly contradict counter-confirmations which deviate from them. Any deviations shall only be deemed valid if we expressly confirm them in writing, and only for the contract concerned. In the event of individual clauses being deemed invalid, the Conditions shall be reduced to the section still deemed valid.

2. Quotations, Conclusions of Contract

Quotations shall remain subject to review unless we expressly confirm otherwise in writing.

Details regarding properties (such as colour, weights, maximum and minimum limits and quantities, illustrations, samples, and the like) are only approximate and approximately determinant, i.e. non-binding outline details, unless we guarantee a specific property in writing. Orders and agreements with our staff, whose quotations, information, and ancillary agreements shall not be binding on us until written confirmation is issued on our part by telegram and telephone, shall only be accepted by us at Purchaser's risk.

Errors of any nature shall not be binding on us.

3. Delivery and Supply

Delivery periods and delivery dates shall not be binding, and are always understood to be exclusive of the duration of transport. These periods shall be extended by the period of time during which Purchasers are in arrears with the fulfilment of their commitments or obligations. In the event of our not effecting delivery punctually, Purchasers shall only be entitled to withdraw from the contract after the expiry of an appropriate subsequent period of grace for performance has passed without success. Claims for compensatory damages due to infringement of obligation shall be excluded. All risks, including with free delivery, shall be assigned to Purchasers as soon as the merchandise is made ready, and at the latest as soon as it is handed over to the freight forwarders/transporters, or leaves our works or depot respectively. This shall not apply in respect of consumers.

Deliveries: From EUR 500.-, net, freight and packing paid; for dispatch by rail, carriage paid to the bulk goods handling station of the place of destination; and for deliveries abroad, ex works. Special means of dispatch (express, special delivery) shall in all cases be charged to Purchasers in the full amount. Acceptance of the merchandise by freight forwarders or transporters shall be deemed to constitute proof of perfect packing and loading. In the event of our meeting the freight costs, we shall select the route and method of delivery. In the event of Purchasers bearing the freight costs, we shall determine, as Purchasers' agents, the mode of transport and route, but without any guarantee. We shall be entitled to effect part deliveries.

In cases of orders for special designs, we shall reserve the right to effect delivery of excess or shortfall of 10 percent.

4. Impediments to Delivery

Instances of force majeure, of technical or other origin, which could substantially restrict our production or the trouble-free processing of the order in question, as well as incapacity to perform on our part or on the part of our suppliers, for which we are not responsible, shall entitle us to withdraw from the contract in whole or in part, or to postpone delivery. Claims for compensatory damages on the part of Purchasers shall be excluded.

5. Warranty and Guarantee

Complaints in respect of incomplete or incorrect delivery, or complaints in respect of identifiable defects and deficiencies, are to be notified in writing immediately upon receipt of the merchandise, and any other defects or deficiencies immediately upon their being identified. Purchasers shall be obliged to grant rights of recourse in respect of third parties (e.g. appraisal of the state of affairs by the railway authorities). Processing or further sale, or combination or mixing shall be deemed to constitute approval, without reservation. In the event of complaint regarding defect or deficiency being submitted in due time, we shall accept liability within the framework of the provisions set out hereinafter. Our liability in respect of defects or deficiencies (warranty or guarantee) shall extend to the merchandise being exempt of defects or deficiencies corresponding to the state of the art. Natural wear and tear of parts subject to wear shall not fall within our scope of liability. Modifications to design or mode of performance which we effect prior to the delivery of an order shall likewise not grant entitlement to complaint.

Inasmuch as we may have claims under warranty against our suppliers, our own warranty shall be effected by the assignment of these claims to Purchasers, who hereby already accept this assignment for this situation. In the event of no warranty or guarantee against the suppliers coming into consideration, or in the event of the supplier declining to undertake any guarantee in respect of Purchasers, our guarantee shall be restricted to subsequent fulfilment, i.e. at our discretion either replacement delivery or refurbishment. The defective merchandise or replaced parts must be returned to us by the Purchasers. In the event of subsequent fulfilment proving unsuccessful, or if we are not in a position to carry this out, then Purchasers shall be entitled to withdraw from the contract or to reduce the purchase price. Any restrictions on liability pertaining shall not apply to the sale of consumer goods.

Claims by Purchasers for the reimbursement of costs incurred in the context of pursuit of guarantee claims against suppliers shall in any event be excluded if any measures incurring costs, in particular the initiation of court proceedings, have not been agreed upon with us beforehand.

We shall furnish guarantee for two years from the handover of the merchandise to Purchasers. In the event of our providing subsequent fulfilment during this period, this shall not constitute any recommencement of the term of the guarantee in respect of the repaired or replaced parts.

Independently of the aforementioned guarantee arrangement, we (Truma Gerätetechnik GmbH & Co. KG, Wernher-von-Braun-Straße 12, 85640 Putzbrunn) shall offer a guarantee to Purchasers in accordance with the provisions set out hereinafter: The guarantee shall extend to all defects and deficiencies which are attributable to defects in materials or manufacture. The guarantee shall apply for a period of 24 months from delivery of the merchandise, and shall comprise, at our discretion, refurbishment or replacement delivery. The guarantee shall not apply:

- To parts subject to wear and to natural wear and tear;
- To damage to paintwork;
- To damage due to improper handling;
- In the event of the object of supply having been modified by Purchasers or third parties by the installation or fitting of parts of third-party origin;
- If handling or operation instructions have not been followed;
- In the event of changes or defects incurred due to improper storage;
- To damage caused by climatic or other effects.

If we provide performance under guarantee, this shall not indicate any recommencement of the term of the guarantee in respect of the parts repaired or replaced.

6. Liability

Any more extensive claims on the part of Purchasers than those cited in Item 5 shall be excluded, irrespective of the legal grounds involved. We shall accordingly not be liable for damage which has not occurred on the object of supply itself, nor for other damage to Purchasers' assets. The foregoing acceptance of liability shall not apply to personal injury; it shall not apply to other damages, inasmuch as the cause of the damage rests on gross or wilful negligence; finally, it shall not apply inasmuch to an instance of damages caused by the absence of a property which we have guaranteed. The exclusion of further liability for compensatory damages shall not apply to claims in accordance with Arts. 1, 4 of the Product Liability Law (Produkthaftungsgesetz).

7. Prices, Fulfilment of Contract, Payment

In the event of delivery being effected later than four months after the concluding of the contract, then our price valid on the day of delivery shall apply. We shall also be entitled to effect price increases in respect of persons in the meaning of Art. 310 BGB (Civil Code), if the delivery is effected within four months from the concluding of the contract, if the prices from our suppliers or other costs incurred on the merchandise (including public levies) increase between the concluding of the contract and the delivery. Every part delivery against payments shall be deemed to constitute a separate transaction in respect of charging and payment.

Our invoices are due for payment as at the invoice date, and are payable without deduction in accordance with the following provisions even in cases of part delivery or complaints: Conditions for domestic deliveries: 7 days, 3 percent discount (only after payment of all sums already owed), 30 days purely net; for new customers, during the initial period by C.O.D. or cash payment in advance, at our discretion, less 3 percent discount. We retain the right to accept bills of exchange. Rights of reservation of ownership by Purchasers based on another contractual relationship shall be excluded.

In the event of delay in payment we shall charge arrears interest at the conventional bank rate, and pursue further claims. In the event of Purchasers falling behind with the acceptance of the merchandise or into arrears with a due payment, in whole or in part, then we shall be entitled, after the expiry without success of a reasonable period of grace allowed to them, to withdraw from the contract. The right to withdraw shall also pertain if circumstances are known which cause the creditworthiness of the Purchasers to appear questionable. In the event of our withdrawing, we shall be entitled, at Purchasers' expense, to arrange for the merchandise supplied to be identified, stored separately, and collected. Instead of withdrawing, we shall be entitled to prohibit Purchasers from selling, mixing, working or processing the merchandise, to withhold or refuse further deliveries from this and other contracts, in whole or in part, and to demand immediate payment for all deliveries. Our claims for compensatory damages shall remain unaffected thereby.

In respect of Purchasers' transactions with us, we shall be entitled to offset/assign claims against obligations (including balance claims). Our external service personnel are not entitled, without written power of representation, to accept payments or carry out other availments.

8. Right of Reservation of Ownership, Safeguards

Until the payment in full of all claims (including balance claims), which may pertain now or in the future against Purchasers for any legal reason, the following safeguards shall hereby be granted:

Until payment in full of all the claims cited heretofore, the merchandise shall remain our property. Working and processing shall in all cases be effected for us as manufacturers. If the merchandise is mixed, combined, or processed, we shall become joint owners in accordance with the proportion of the value (cost prices). Purchasers shall further assign to us, here and now, their (joint) rights of ownership and possession to the new total entity. Purchasers shall grant our (joint) right of ownership free of charge. We shall release the safeguards at our discretion, inasmuch as their value exceeds the amount of claims in a sustained manner by more than 20 percent.

In the event of Purchasers selling (incorporating, using) our merchandise (worked or processed, mixed or combined, alone or with third-party merchandise), they shall here and now assign to us all claims against their customers, including such as relate to remunerations for work services provided, third-party merchandise, etc., with all safeguards (including rights of ownership and possession), whereby we shall become joint and several creditors, together with possible other jointly entitled parties, and, at the least, shall become part creditors (our claims plus 25 %). Purchasers shall only be entitled to sell our merchandise in accordance with Clause 1 in due and proper commercial transactions, provided that they are dealers (not consumers), and not in arrears. Purchasers shall be entitled, subject to revocation, to recover themselves claims assigned to us, the non-assignability of which to third parties is hereby agreed upon with them, provided they are not in arrears. At our request, Purchasers shall disclose the assignment, and provide us with the information and documentation required.

Purchasers shall hereby assign to us all future claims (e.g. insurance, claims arising from impermissible dealings) in respect of our merchandise. In the event of our withdrawing from the contract, and demanding the return of our property arising from this, Purchasers shall be obliged to return the merchandise supplied and to effect recompense for any expenses, transfers for use, reductions in value, and lost profits. They are to inform us immediately, if necessary by telephone/telegram, in the event of any party attacking our rights. We shall be entitled/empowered, at any time and at our discretion, to demand safeguards for our claims and to demand that these be enhanced, and to demand that value items pertaining to the placers of the order, which are subject to our actual influence, be claimed and used as surety. Assignability of any claims by Purchasers against us shall be excluded.

9. Place of Fulfilment, Court of Jurisdiction

Place of fulfilment for our supplies and services and for Purchasers' liabilities, and seat of court of jurisdiction, inasmuch as is permissible in accordance with Articles 38-40 ZPO (Code of Civil Procedure), shall be Munich. We shall, however, be entitled to pursue claims at the domicile of the placers of the order and before any other possible courts. German law shall apply exclusively.

Official language and language of contract shall be German.