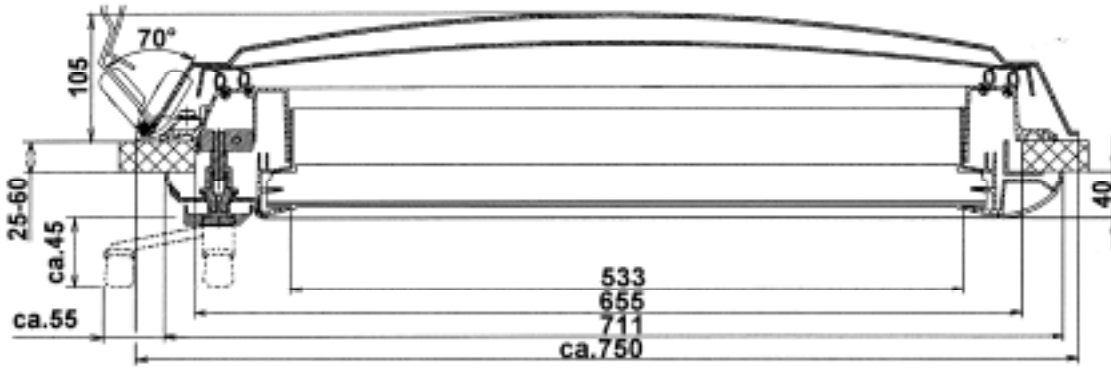
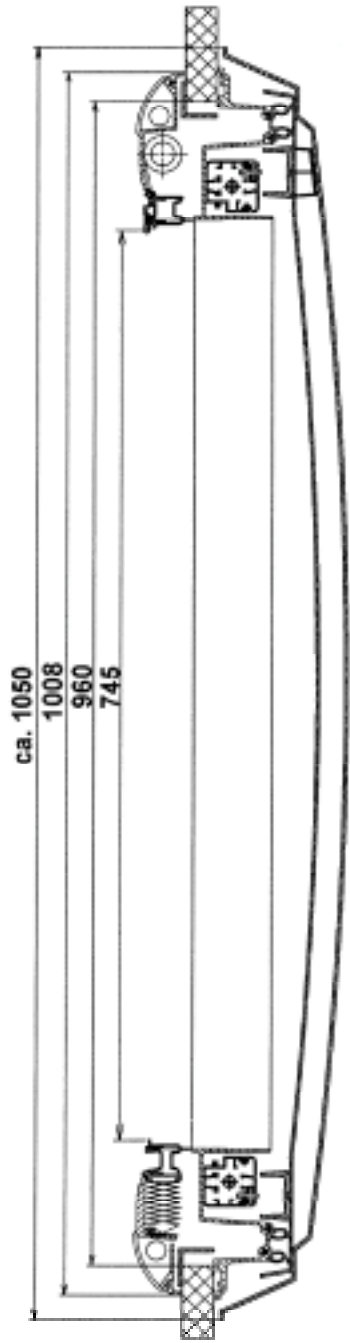
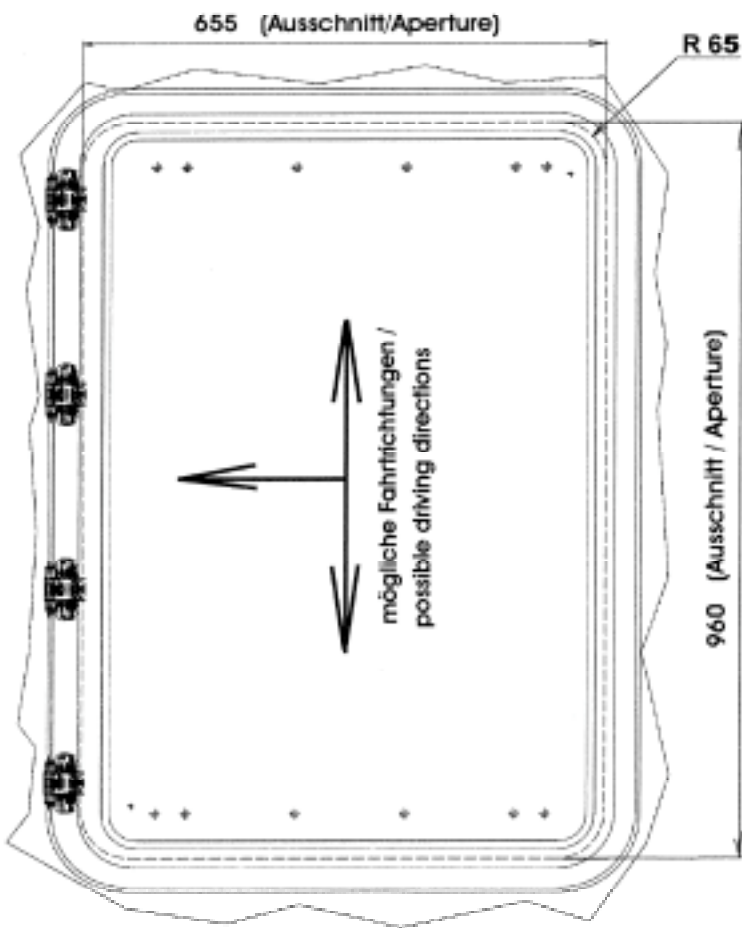


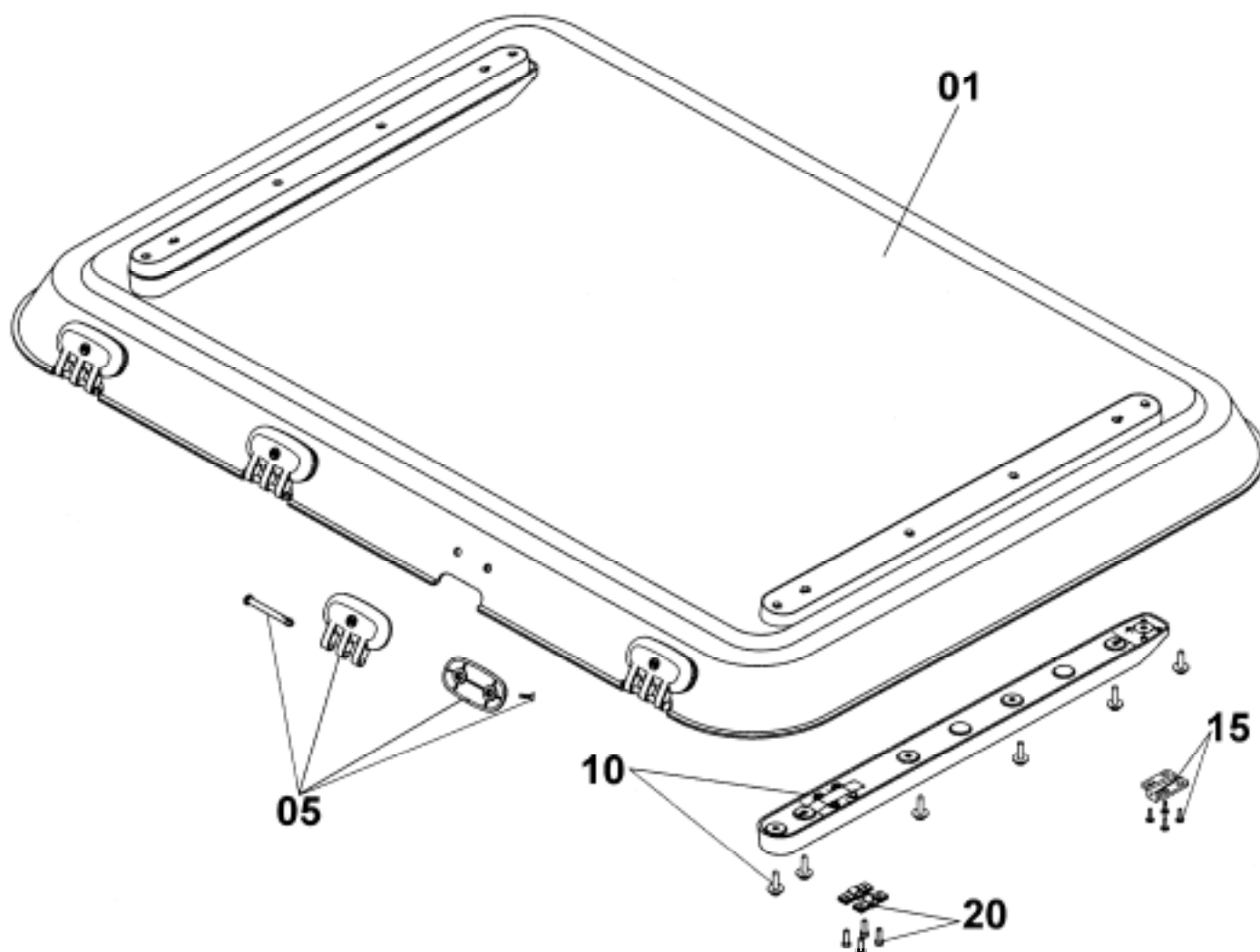
HEKI III TECHNICAL DRAWING



Gewicht / weight: 15 kg
 Öffnungswinkel max. / max. opening: 70 °

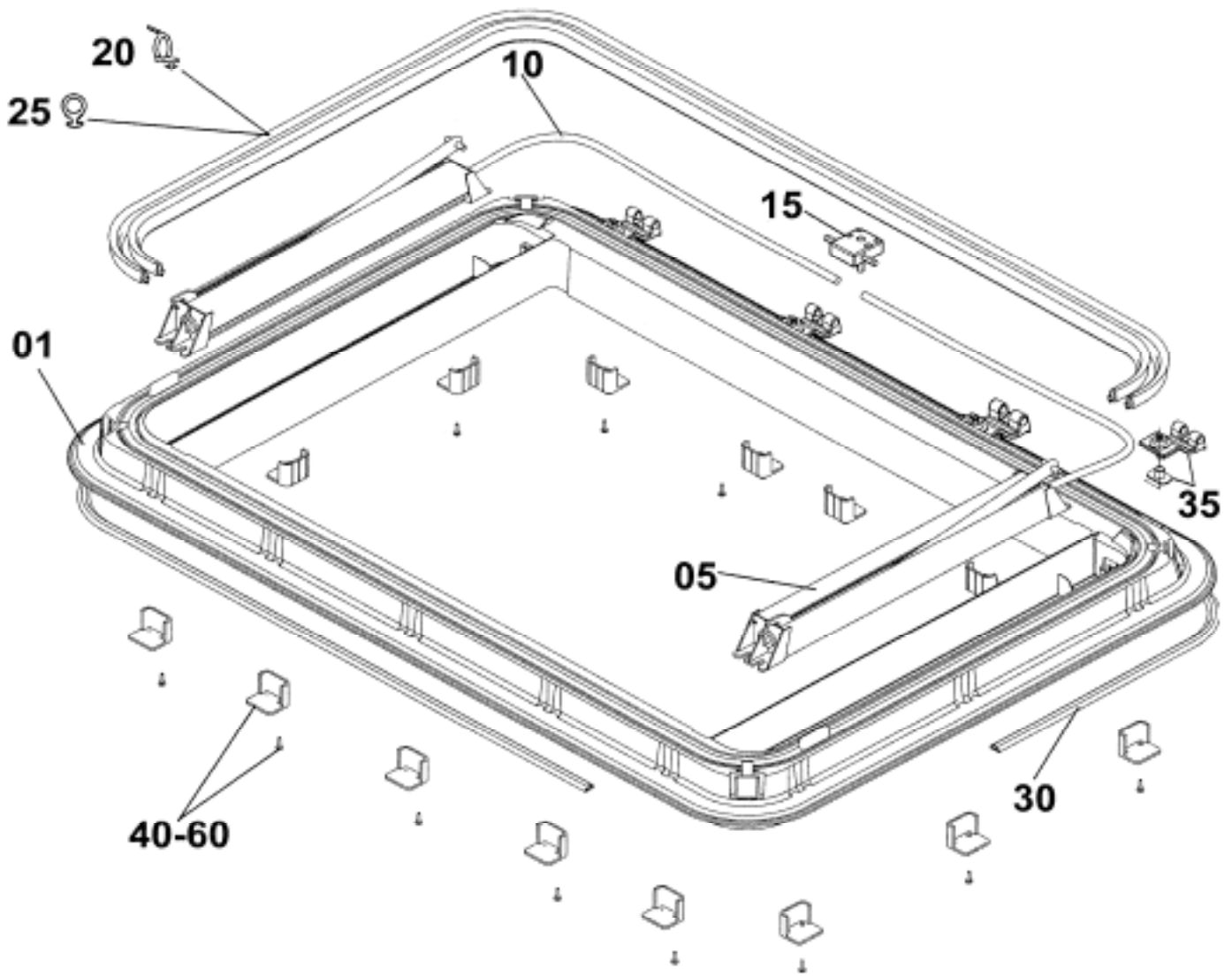


ACRYLIC DOME



	DESCRIPTION	PART No.	PACK UNIT
01	GLAZING PANEL ONLY	BG1274	1
05	HINGE WITH FIXINGS	BG1275	1
10	CONNECTION PLATES WITH FITTINGS	BG1276	1
15	GUIDE PLATES WITH FITTINGS	BG1277	1
20	FIXING PROFILE COMPLETE	BG1278	1
25	GLAZING PANEL COMPLETE	BG1279	1

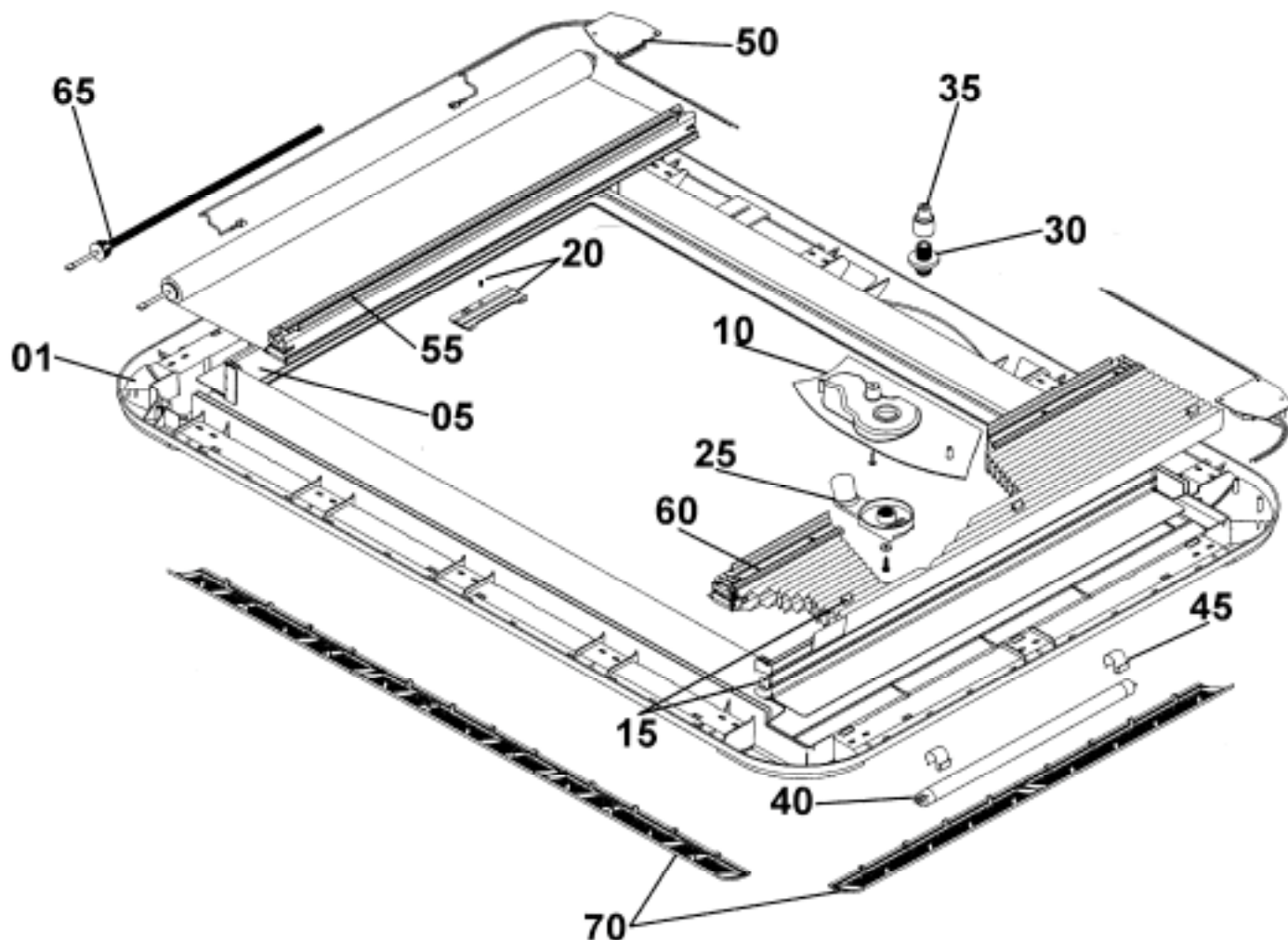
EXTERIOR FRAME



STANDARD COLOURS	CODE	
RAL7035 LIGHT GREY*	9	*MANUFACTURER ONLY
RAL9001 CREAM	25	

	DESCRIPTION	PART No.	PACK UNIT
01	EXTERIOR FRAME	BG1256	1
05	DRIVE MECHANISM ONLY	BG1257	1 PAIR
10	AXLE-DRIVE SHAFT ONLY	BG1258	1 PAIR
15	GEAR MECHANISM FOR HANDLE	55OE2001	1
20	SEAL NO VENT	54OE12	5 Meters
25	SEAL WITH VENT	54OE07	5 Meters
30	PROFILE SEAL	55OE23	5 Meters
35	HINGE DEVICE	BG1259	1 SET
40	MOUNTING KIT(25-32mm)GREY	ZUB1347	1 SET
45	MOUNTING KIT(32-39mm)BLACK	ZUB1348	1 SET
50	MOUNTING KIT(39-46mm)YELLOW	ZUB1349	1 SET
55	MOUNTING KIT(46-53mm)BLUE	ZUB1350	1 SET
60	MOUNTING KIT(53-60mm)RED	ZUB1381	1 SET
65	EXTERIOR FRAME COMPLETE	BG1260	1

INTERIOR FRAME



STANDARD COLOURS	CODE	
RAL7035 LIGHT GREY*	9	*MANUFACTURER ONLY
RAL9001 CREAM	25	

	DESCRIPTION	PART No.	PACK UNIT
01	INTERIOR FRAME COMPLETE	BG1678	1
05	COVER INTERIOR FRAME	BG1262	1 SET
10	COVER FOR HANDLE CREAM	BG1263.25	1
15	SPRING CLIP	BG1113	1 SET
20	SEESAW CLIP WITH SPRING	BG1264	1
25	HANDLE/CRANK WITH FITTINGS	BG1265.25	1
30	DRIVE PINION	BG1266	1
35	LINK FOR ROOF THICKNESS (25-60mm)	BG1267	1
40	LAMP 12V 8W	BG1268	1
45	CLIPS FOR LAMP	BG1269	1 SET
50	CIRCUIT BOARD	BG1270	1
55	FLYSCREEN COMPLETE	BG1271	1 SET
60	BLIND COMPLETE	BG1272	1 SET
65	SPRING MOTOR	FM1002	1
70	VENT PROFILE/COVERS CREAM	ZB102625	1 SET
70	VENT PROFILE/COVERS GREY	ZB102609	1 SET