



SPARE PARTS LIST REFRIGERATION VERSION 2

Deluxe line & Premium LCD line

Manual Energy Control

Controls		Page
Piezo	N80	2 - 3
	N90	4 - 5
	N100	4 - 5
	N109	4 - 5
	N110	4 - 5
	N112	4 - 5
	N115	6 - 7
Electric	N80	8 - 9
	N90	10 - 11
	N100	10 - 11
	N109	10 - 11
	N110	10 - 11
	N112	10 - 11
	N115	12 - 13

Interior and Door

N80	14 - 15
N90	16 - 17
N100	20 - 21
N109	22 - 23
N110	24 - 25
N112	18 - 19
N115	26 - 27

Cooling unit/burner box and electric ignition

N80	28 - 29
N90	28 - 29
N100	30 - 31
N109	32 - 33
N110	30 - 31
N112	28 - 29
N115	28 - 29

Seals-Vents-Exhaust

All models	82 - 83
------------	---------

Colour index

84

Smart Energy Selection / Electric Energy Selection

Controls		Page	
LED	N90	34 - 35	
	N97	34 - 35	
	N100	34 - 35	
	N104	34 - 35	
	N109	34 - 35	
	N112	34 - 35	
	N145	36 - 37	
	LCD	N90	38 - 39
		N97	40 - 41
		N100	38 - 39
N104		40 - 41	
N109		40 - 41	
N112		40 - 41	
N145		38 - 39	
N150		40 - 41	
N180		42 - 43	

Cabinet and cooling unit

N90	44 - 45
N97	44 - 45
N100	46 - 47
N104	46 - 47
N109	48 - 49
N112	44 - 45
N145	50 - 51
N150	50 - 51
N180	52 - 53

Door and cabinet interior

N90	54 - 55
N97	56 - 57
N100	58 - 59
N104	60 - 61
N109	60 - 51
N112	62 - 63
N145	64 - 65
N150	66 - 67
N180	68 - 69

Power board and gas assembly

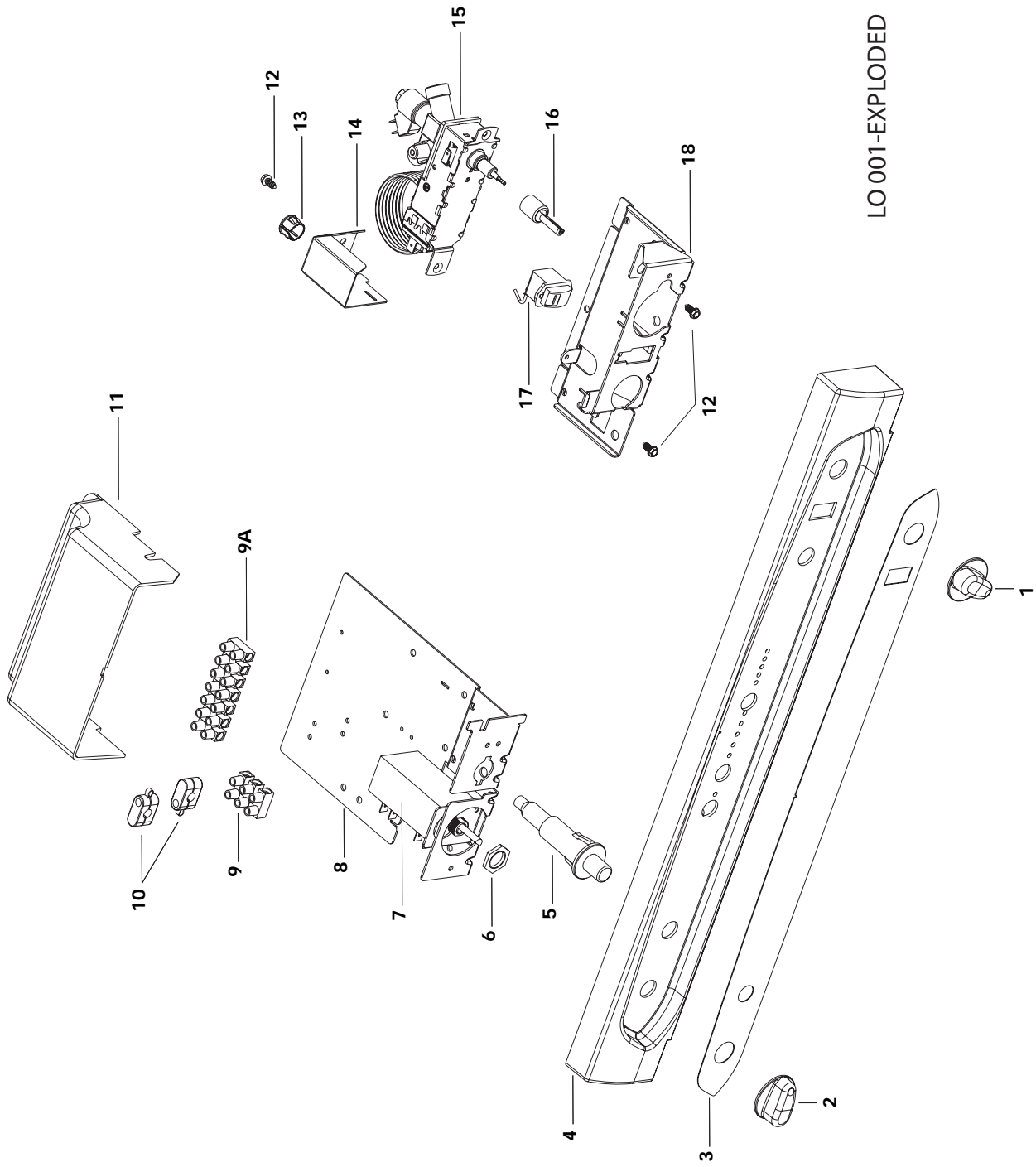
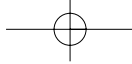
N90	70 - 73
N97	70 - 73
N100	74 - 77
N104	75 - 77
N109	70 - 73
N112	70 - 73
N145	78 - 81
N150	78 - 81
N180	78 - 81

Seals-Vents-Exhaust

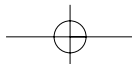
All models	82 - 83
------------	---------

Colour index

84



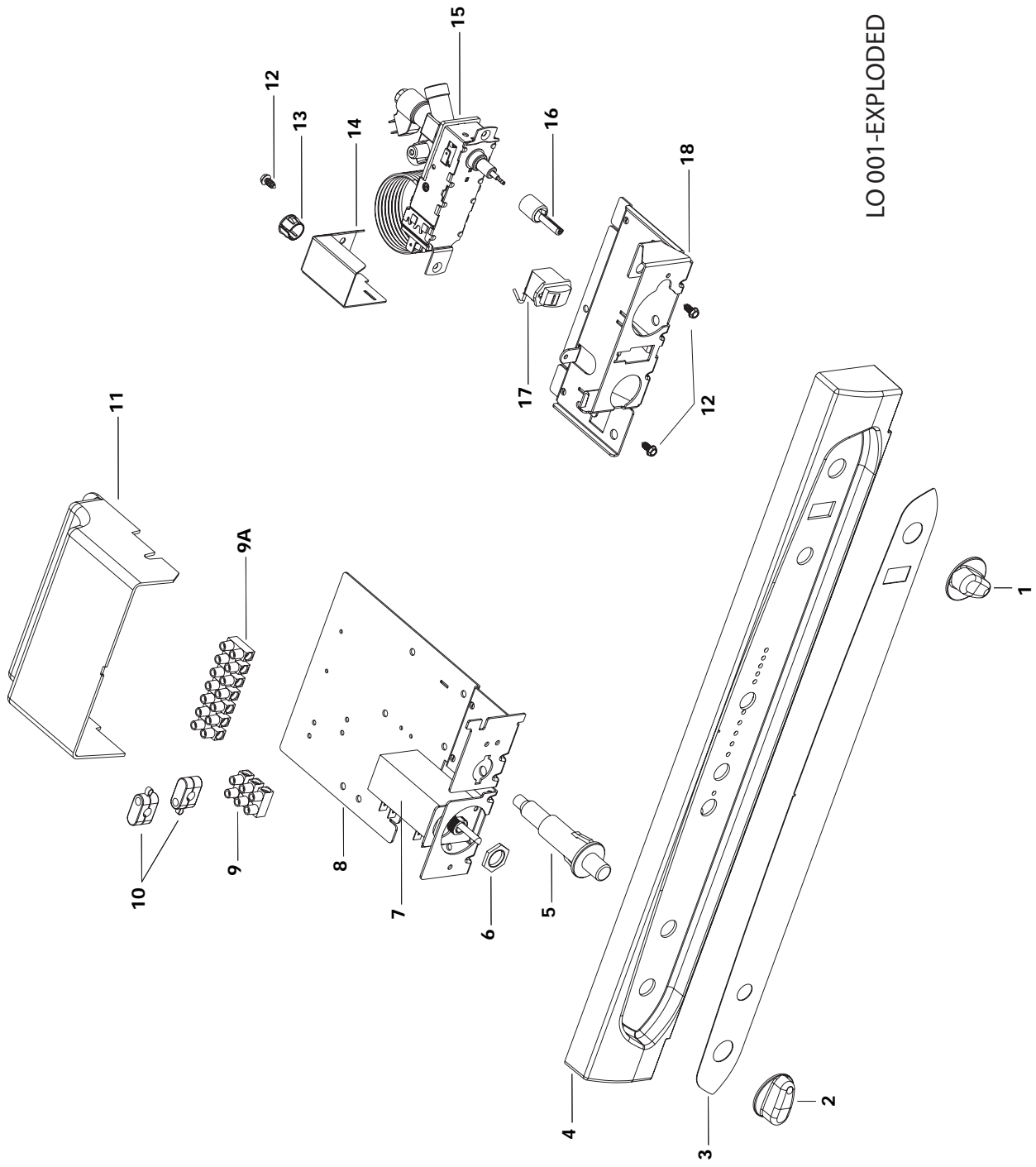
LO 001-EXPLODED



Controls Piezo ignition 486 (LO-001)**Spare part number**

1.	Control knob	623026-07
2.	Control knob	625682-07
3.	Overlay Piezo 486	626620
4.	Control panel	
5.	Piezo igniter grey	625689
6.	Nut	
7.	Selector switch 5p	623400
7.	Selector switch 6p	626999**
8.	Bracket piezo/switch	
9.	Terminal strip AC	
9a.	Terminal strip DC	
10.	Strain relief	
11.	AC control cover	
12.	Screw (3x)	
13.	Bushing	
14.	AC cover TGV	
15.	Gas valve manual V2	625688-07
16.	Axle TGV	
17.	Flame meter	623029
18.	Bracket TGV	

** as from July 1st 2005

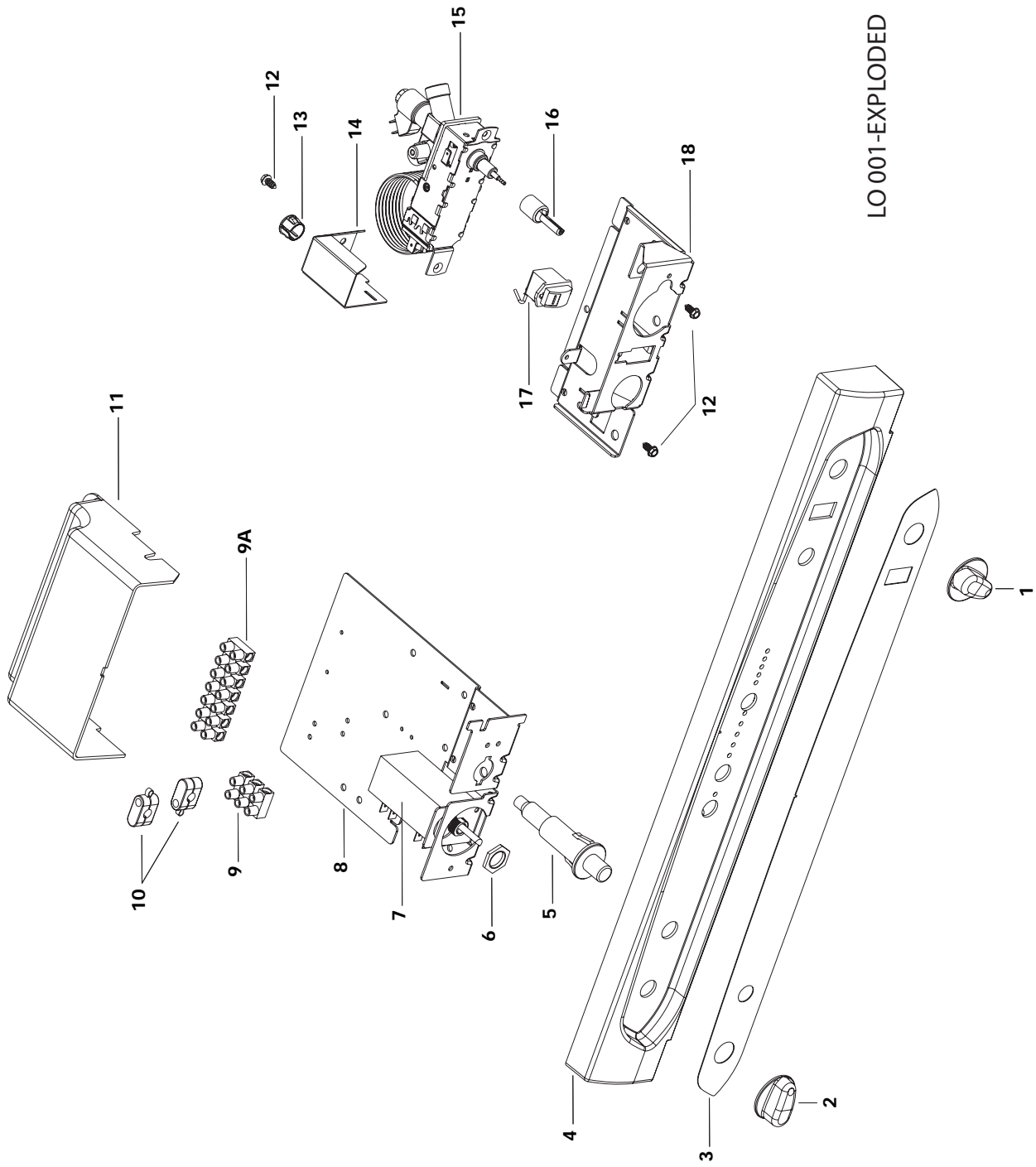
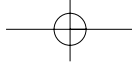


LO 001-EXPLODED

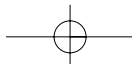
Controls Piezo ignition 525 (LO-001)**Spare part number**

1.	Control knob	623026-07
2.	Control knob	625682-07
3.	Overlay Piezo 525	626622
4.	Control panel	
5.	Piezo igniter grey	625689
6.	Nut	
7.	Selector switch 5p	623400
7.	Selector switch 6p	626999**
8.	Bracket piezo/switch	
9.	Terminal strip AC	
9a.	Terminal strip DC	
10.	Strain relief	
11.	AC control cover	
12.	Screw (3x)	
13.	Bushing	
14.	AC cover TGV	
15.	Gas valve manual V2	625688-07
16.	Axle TGV	
17.	Flame meter	623029
18.	Bracket TGV	

** as from July 1st 2005

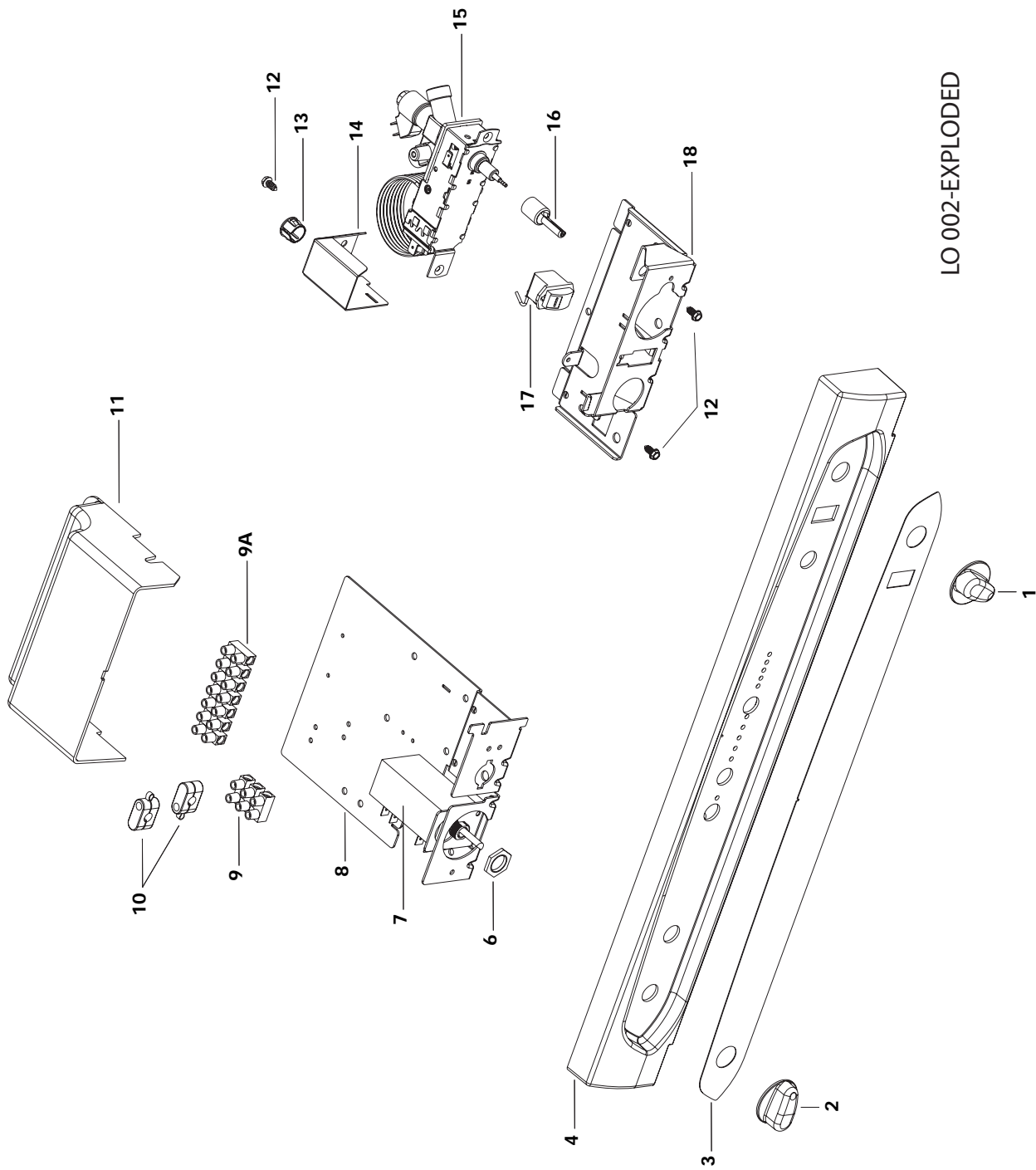


LO 001-EXPLODED



Controls Piezo ignition 525 (LO-001)**Spare part number**

1.	Control knob	623026-30
2.	Control knob	625682-30
3.	Overlay 525	
4.	Control panel	
5.	Piezo igniter grey	625689
6.	Nut	
7.	Selector switch 6p	626999
8.	Bracket peizo/switch	
9.	Terminal strip AC	
9a .	Terminal strip DC	
10.	Strain relief	
11.	AC control cover	
12.	Screw (3x)	
13.	Bushing	
14.	AC cover TGV	
15.	Gas valve manual V2	625688-07
16.	Axle TGV	
17.	Flame meter	623029
18.	Bracket TGV	

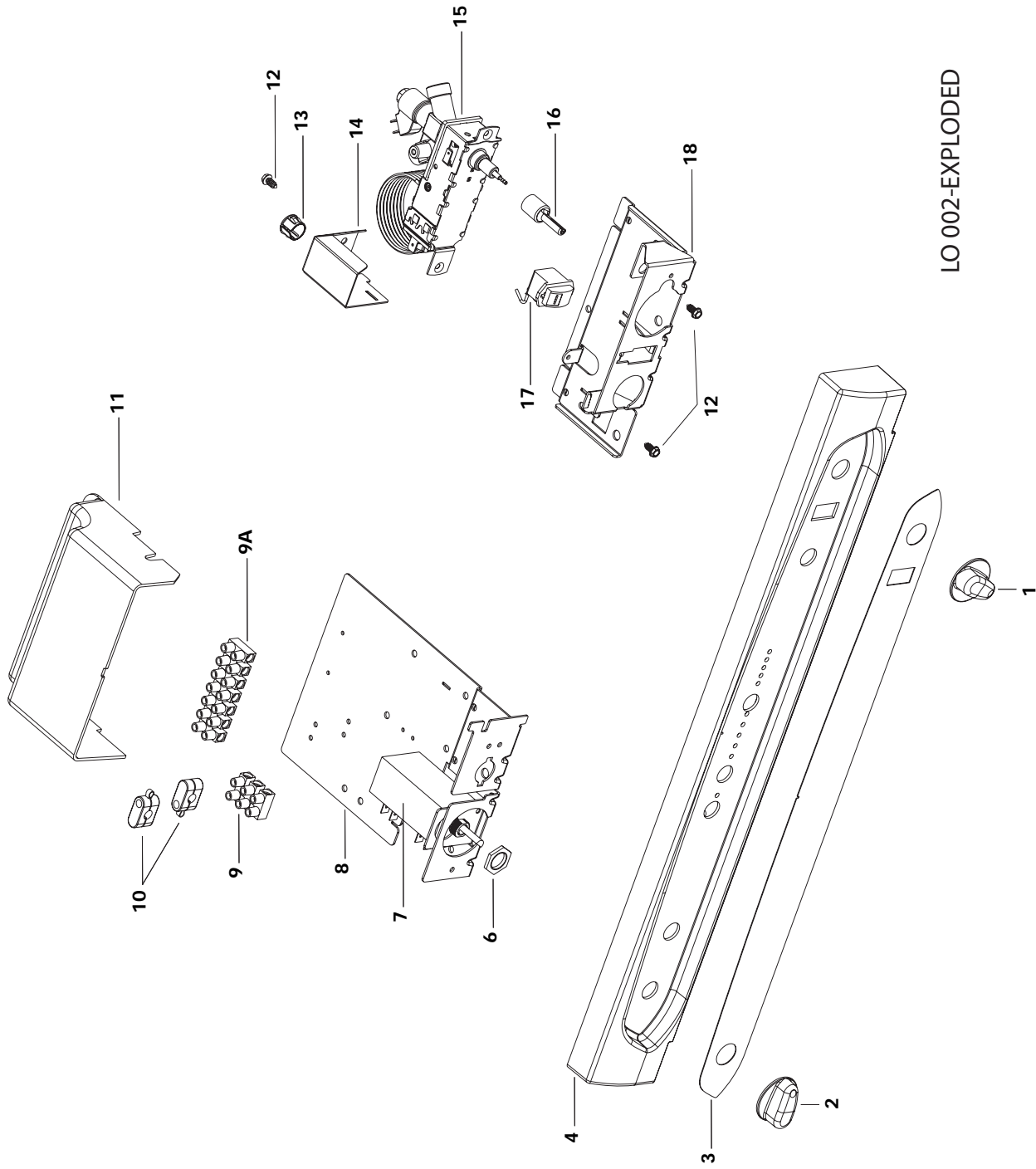


LO 002-EXPLODED

Controls Electric ignition 486 (LO-002)**Spare part number**

1.	Control knob	623026-07
2.	Control knob	625682-07
3.	Overlay Electric 486	626621
4.	Control panel	
6.	Nut	
7.	Selector switch 5p	623400
7.	Selector switch 6p	626999**
8.	Bracket piezo/switch	
9.	Terminal strip AC	
9a.	Terminal strip DC	
10.	Strain relief	
11.	AC control cover	
12.	Screw (3x)	
13.	Bushing	
14.	AC cover TGV	
15.	Gas valve manual V2	625688-07
16.	Axle TGV	
17.	Flame meter	623029
18.	Bracket TGV	

** as from July 1st 2005

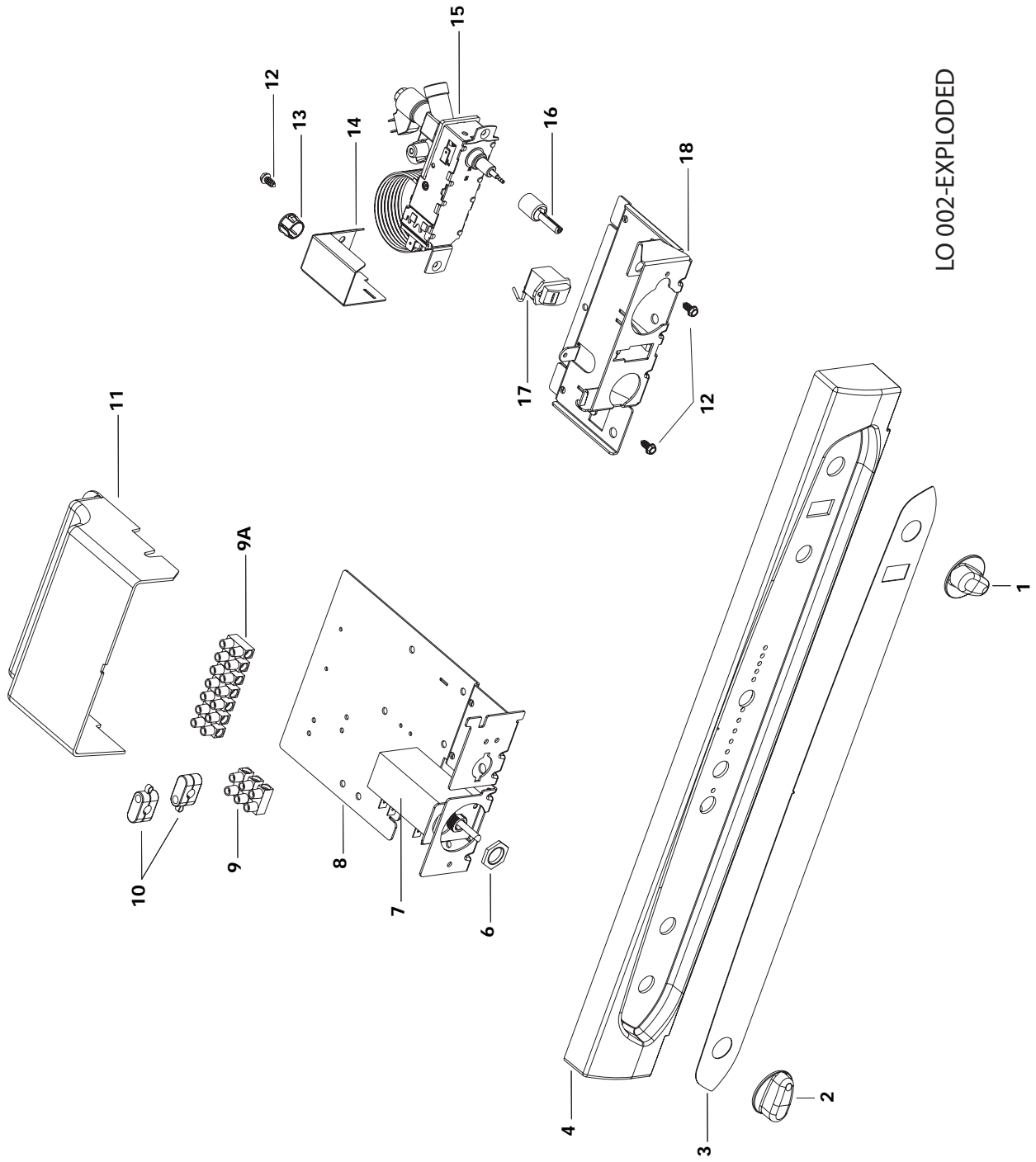


LO 002-EXPLODED

Controls Electric ignition 525 (LO-002)**Spare part number**

1.	Control knob	623026-07
2.	Control knob	625682-07
3.	Overlay Electric 525	626623
4.	Control panel	627002-07
6.	Nut	
7.	Selector switch 5p	623400
7.	Selector switch 6p	626999**
8.	Bracket piezo/switch	
9.	Terminal strip AC	
9a.	Terminal strip DC	
10.	Strain relief	
11.	AC control cover	
12.	Screw(3x)	
13.	Bushing	
14.	AC cover TGV	
15.	Gas valve manual V2	625688-07
16.	Axle TGV	
17.	Flame meter	623029
18.	Bracket TGV	

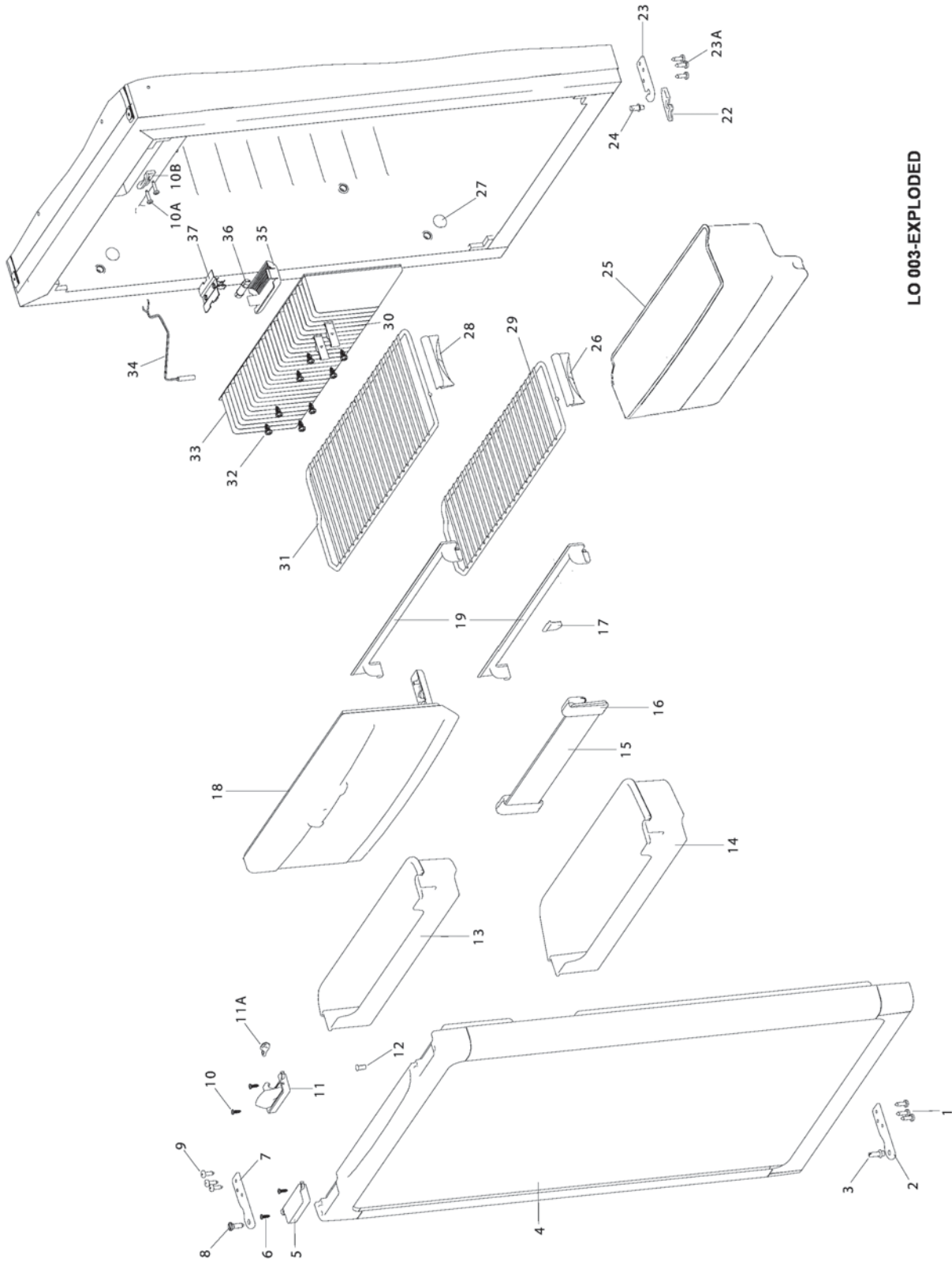
** as from July 1st 2005



LO 002-EXPLODED

Controls Electric ignition 525 (LO-002)**Spare part number**

1.	Control knob	623026-30
2.	Control knob	625682-30
3.	Overlay Electric 525	626623
4.	Control panel	627002-30
6.	Nut	
7.	Selector switch 6p	626999
8.	Bracket piezo/switch	
9.	Terminal strip AC	
9a.	Terminal strip DC	
10.	Strain relief	
11.	AC control cover	
12.	Screw(3x)	
13.	Bushing	
14.	AC cover TGV	
15.	Gas valve manual V2	625688-07
16.	Axle TGV	
17.	Flame meter	623029
18.	Bracket TGV	

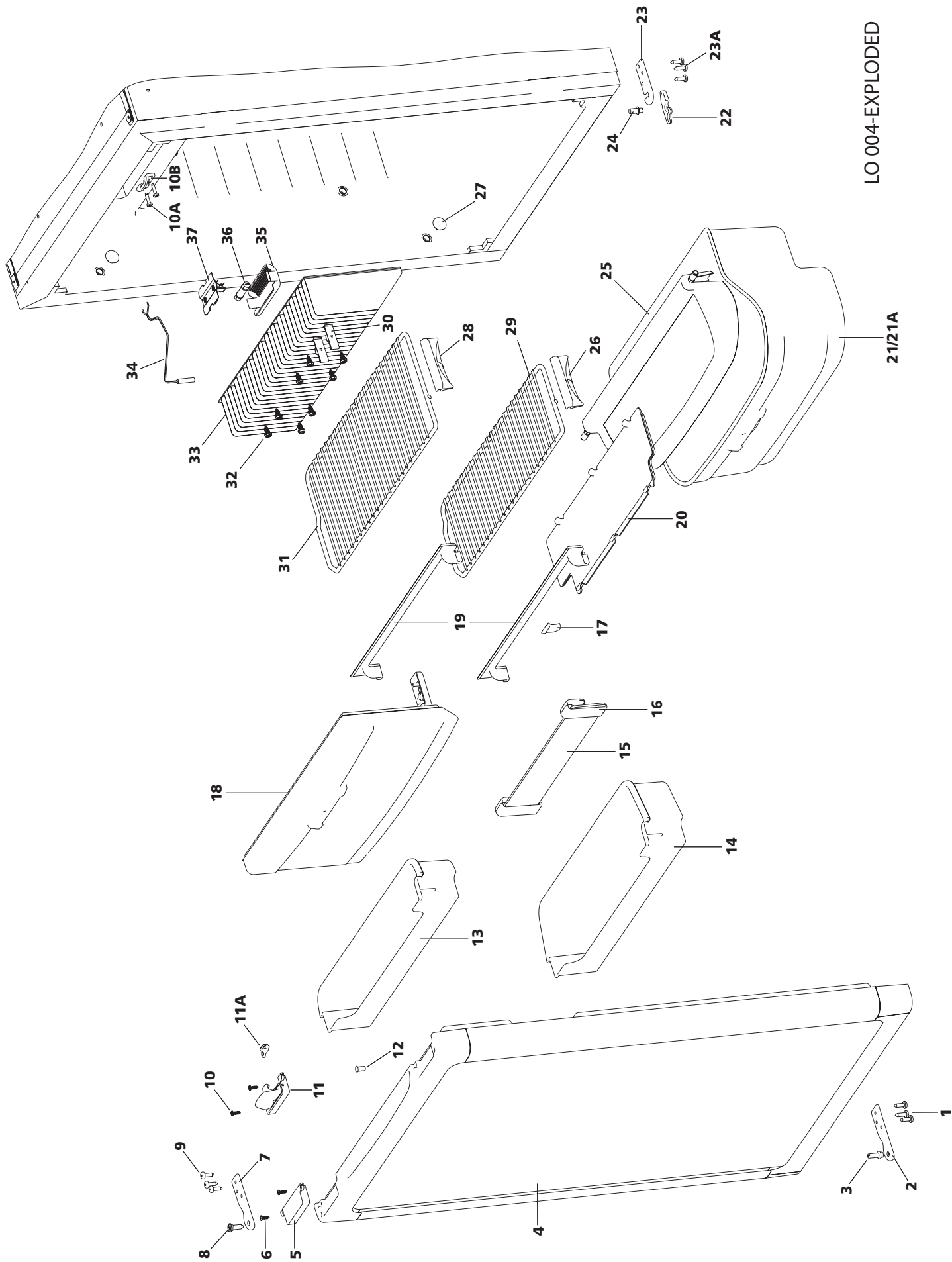


LO 003-EXPLODED

Interior and Door N80 (LO-003)**Spare part number**

1.	Screw (3x)	
2.	Hinge plate	
3.	Hinge pin bottom/washer	
4.	Door flat low 486	625090-07
5.	Pocket cover	
6.	Screw (2x)	
7.	Hinge plate	
8.	Hinge pin top/washer	
9.	Screw (3x)	
10.	Screw (2x)	
10a.	Screw (2x)	
10b.	Strike plate	
11.	Latch V1	623024-07
11a.	Storage strap V1	624679-07
12.	Hinge hole plug	
13.	Doorbin	623040-08
14.	Doorbin	624023-08
15.	Bottle retainer	
16.	Strap bumper	623042-12
17.	Strap clip	
18.	Freezer door	623036-08
	Hinge freezer door	624680-08
19.	Shelf food retainer	624456-08
22.	Latch bottom*	624001-27
23.	Bottom latch plate*	
23a.	Screw* (3x)	
24.	Latch pin lower*	
25.	Vegetable bin	623039-12
26.	Clip shelf small	623626-08
27.	Cap (4x)	623622-08
28.	Clip shelf large	623625-08
29.	Shelf	623037-08
30.	Fin clip	623023
31.	Shelf	623038-08
32.	Screw (8x)	
33.	Fin	
34.	Interior light switch*	623018-08
35.	Interior light cover*	624002
36.	Interior light bulb*	624003
37.	Light bracket	

* **not in all models**

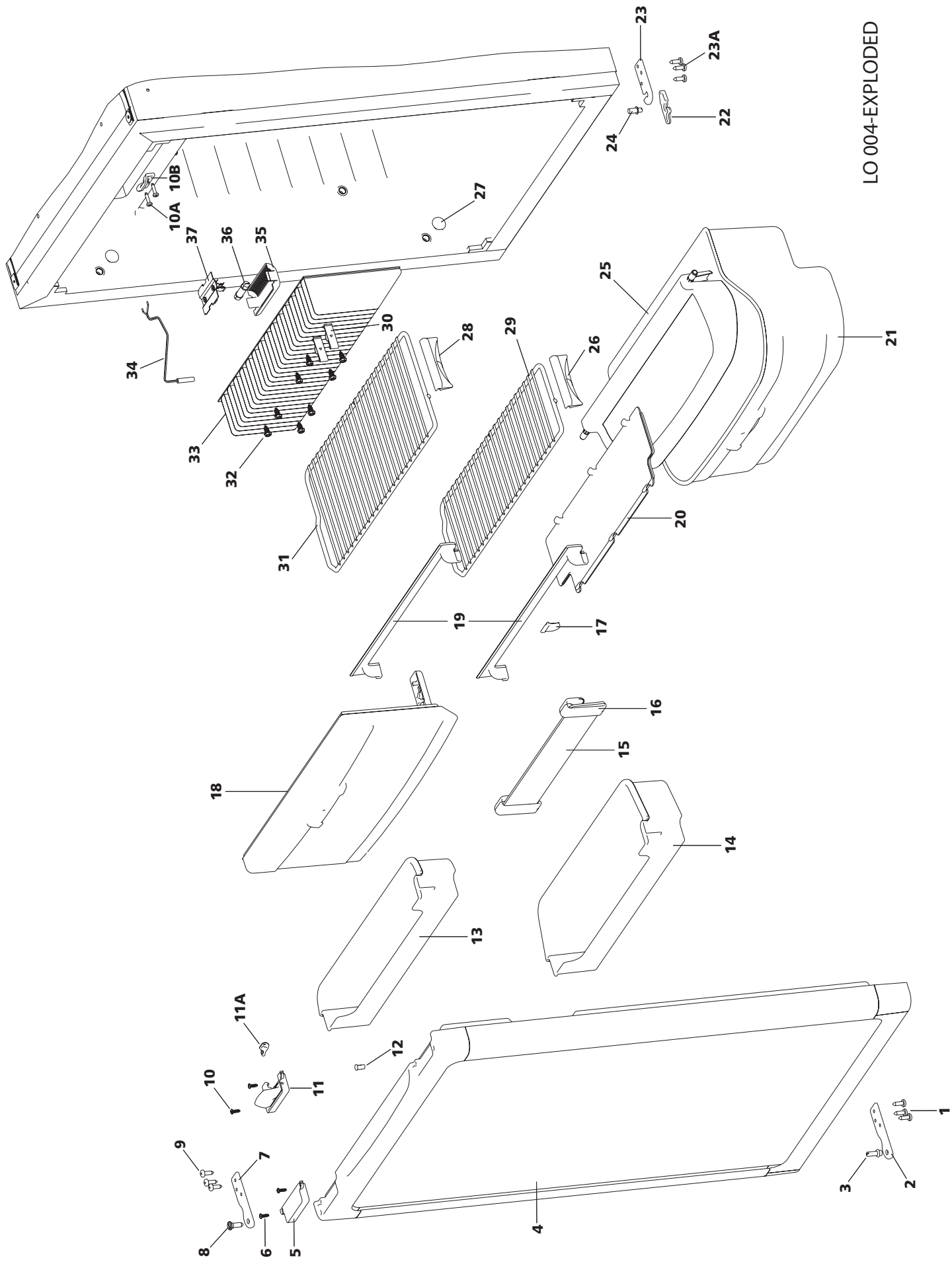


LO 004-EXPLODED

Interior and Door N90 (LO-004)**Spare part number**

1.	Screw (3x)	
2.	Hinge plate	
3.	Hinge pin bottom/washer	
4.	Door flat low 525	625091-07
	Door flat high 525	625092-07
5.	Pocket cover	
6.	Screw (2x)	
7.	Hinge plate	
8.	Hinge pin top/washer	
9.	Screw (3x)	
10.	Screw (2x)	
10a.	Screw (2x)	
10b.	Strike plate	
11.	Latch V1	623024-07
11a.	Storage strap V1	624679-07
12.	Hinge hole plug	
13.	Doorbin	623049-08
14.	Doorbin	624024-08
15.	Bottle retainer	
16.	Strap bumper	623042-12
17.	Strap clip	
18.	Freezer door	623043-08
	Hinge freezer door	624680-08
19.	Shelf food retainer	624456-08
20.	Shelf tray insert	623634-12
21.	Vegetable bin	623617
22.	Latch bottom*	624001-27
23.	Bottom latch plate*	
23a.	Screw* (3x)	
24.	Latch pin lower*	
25.	Flip top cover	623615
26.	Clip shelf small	623626-08
27.	Cap (4x)	623622-08
28.	Clip shelf large	623625-08
29.	Shelf	623047-08
30.	Fin clip	623023
31.	Shelf	623048-08
32.	Screw (8x)	
33.	Fin	
34.	Interior light switch	623018-08
35.	Interior light cover	624002
36.	Interior light bulb	624003
37.	Light bracket	

* **not in all models**

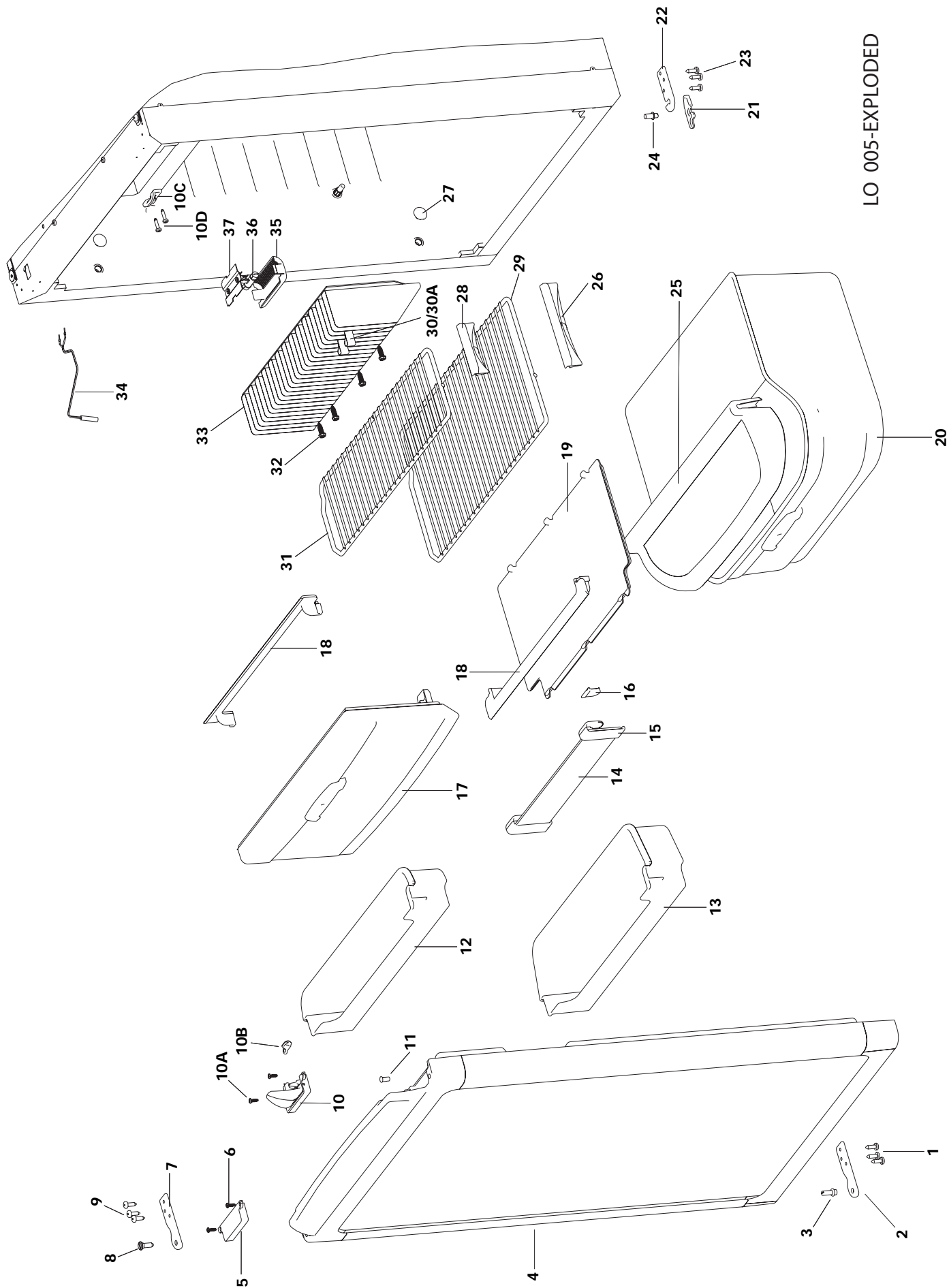


LO 004-EXPLODED

Interior and Door N112 (LO-004)**Spare part number**

1.	Screw (3x)	
2.	Hinge plate	
3.	Hinge pin bottom/washer	
4.	Door curved high 525	625093-07
	Door curved low 525**	626984-07
5.	Pocket cover	
6.	Screw (2x)	
7.	Hinge plate	
8.	Hinge pin top/washer	
9.	Screw (3x)	
10.	Screw (2x)	
10a.	Screw (2x)	
10b.	Strike plate	
11.	Latch V1	623024-07
	Latch V2**	626985-07
11a.	Storage strap V1	624679-07
	Storage strap V2**	626986-07
12.	Hinge hole plug	
13.	Doorbin (2x)	625102-12
14.	Doorbin	623053-12
15.	Bottle retainer	
16.	Strap bumper	623042-12
17.	Strap clip	
18.	Freezer door	623043-08
	Hinge freezer door	624680-08
19.	Shelf food retainer	624457-08
20.	Shelf tray insert	626642-12
21.	Vegetable bin	623617
22.	Latch bottom*	624001-27
23.	Bottom latch plate*	
23a.	Screw* (3x)	
24.	Latch pin lower*	
25.	Top cover	626641-12
26.	Clip shelf large	623625-08
27.	Cap (4x)	623622-08
28.	Clip shelf large	623625-08
29.	Shelf	626643-08
30.	Fin clip	623023
31.	Shelf	623051-08
32.	Screw (8x)	
33.	Fin	
34.	Interior light switch	623018-08
35.	Interior light cover	624002
36.	Interior light bulb	624003
37.	Light bracket	

* **not in all models**** **As from July 1st 2005**

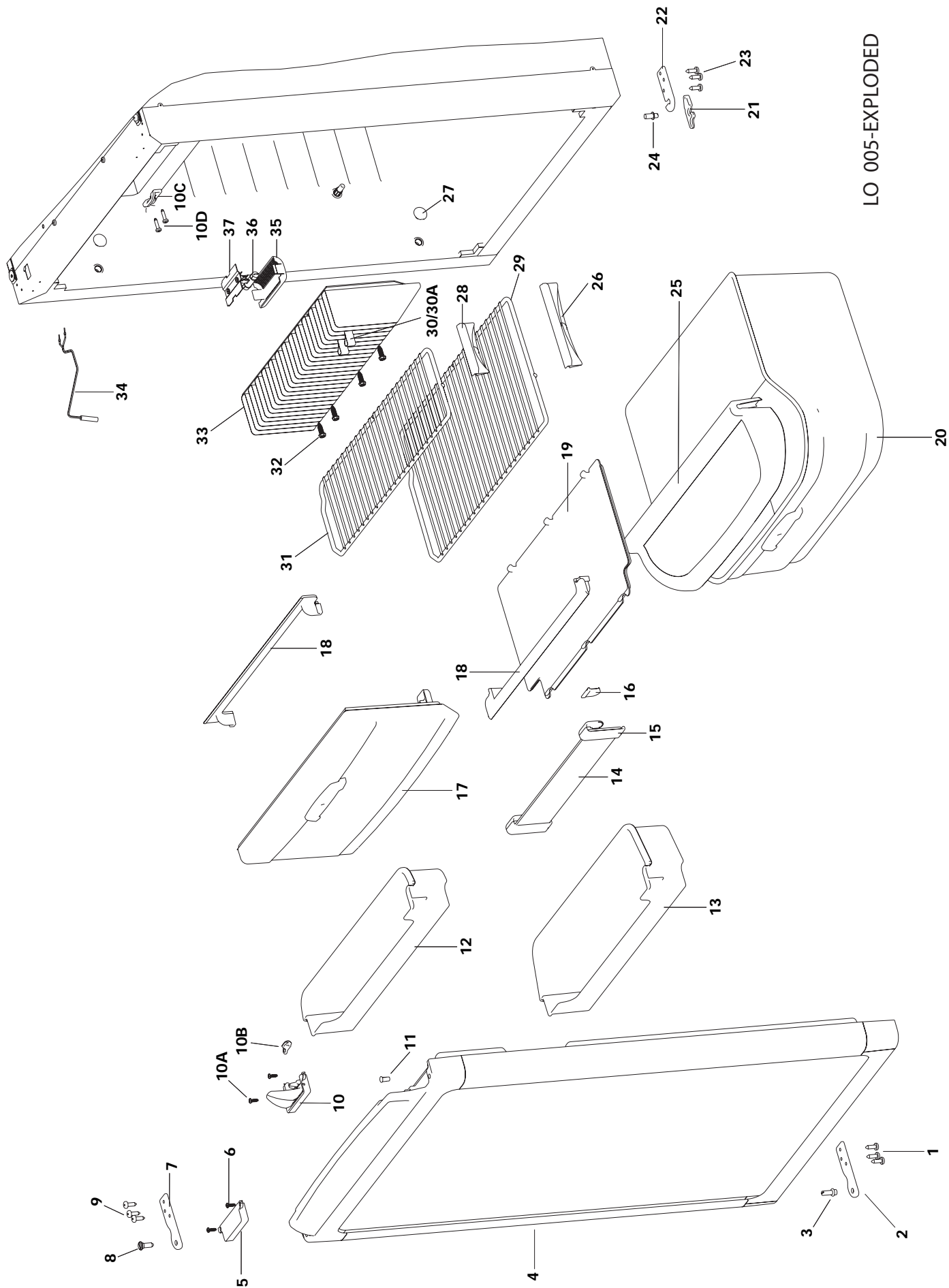


LO 005-EXPLODED

Interior and Door N100 (LO-005)**Spare part number**

1.	Screw (3x)	
2.	Hinge plate	
3.	Hinge pin bottom/washer	
4.	Door flat low 525	62509107
	Door flat high 525	62509207
5.	Pocket cover	
6.	Screw (2x)	
7.	Hinge plate	
8.	Hinge pin top/washer	
9.	Screw (3x)	
10.	Latch V1	623024-07
10a.	Screw (2x)	
10b.	Storage strap V1	624679-07
10c.	Strike plate	
10d.	Screw (2x)	
11.	Hinge hole plug	
12.	Doorbin	623049-08
13.	Doorbin	624024-08
14.	Bottle retainer	
15.	Strap bumper	623042-12
16.	Strap clip	
17.	Freezer door	623043-08
	Hinge freezer door	624680-08
18.	Shelf food retainer	624456-08
19.	Shelf tray insert	623635-12
20.	Vegetable bin	623618
21.	Latch bottom*	624001-27
22.	Bottom latch plate*	
23.	Screw* (3x)	
24.	Latch pin lower*	
25.	Flip top cover	623615
26.	Clip shelf large	623625-08
27.	Cap (4x)	623622-08
28.	Clip shelf small	623626-08
29.	Shelf	623055-08
30.	Fin clip	623023
31.	Shelf	623047-08
32.	Screw (4x)	
33.	Fin	
34.	Interior light switch	623018-08
35.	Interior light cover	624002
36.	Interior light bulb	624003
37.	Light bracket	

* **Not for all models**

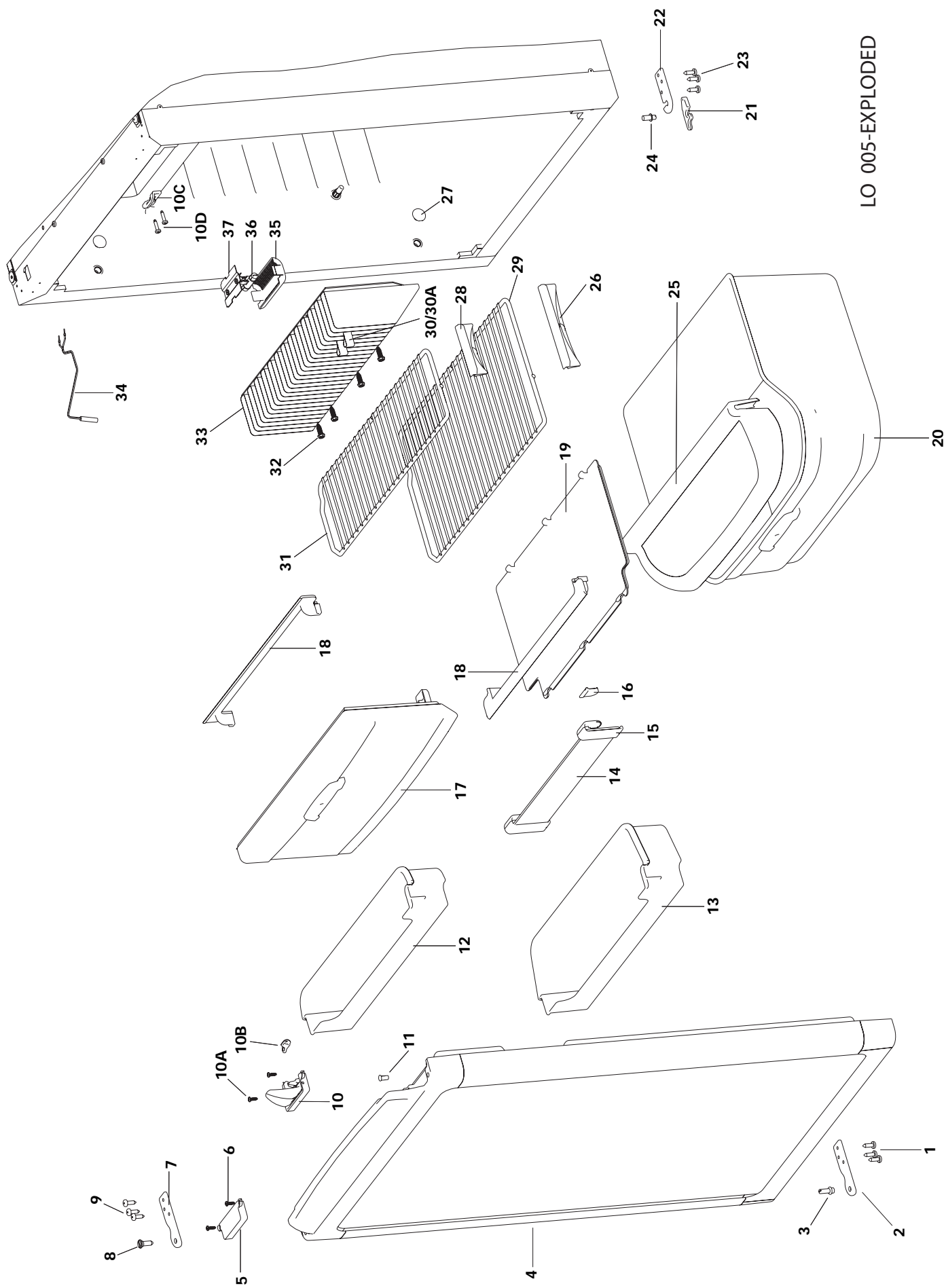


LO 005-EXPLODED

Interior and Door N109 (LO-005)**Spare part number**

1.	Screw (3x)	
2.	Hinge plate	
3.	Hinge pin bottom/washer	
4.	Door curved high	625093-07
5.	Pocket cover	
6.	Screw (2x)	
7.	Hinge plate	
8.	Hinge pin top/washer	
9.	Screw (3x)	
10.	Latch V1	623024-07
10a.	Screw (2x)	
10b.	Storage strap V1	624679-07
10c.	Strike plate	
10d.	Screw (2x)	
11.	Hinge hole plug	
12.	Doorbin	624025-08
13.	Doorbin	623053-08
14.	Bottle retainer	
15.	Strap bumper	623042-12
16.	Strap clip	
17.	Freezer door	623043-08
	Hinge freezer door	624680-08
18.	Shelf food retainer	624457-08
19.	Shelf tray insert	623635-12
20.	Vegetable bin	623618
21.	Latch bottom*	624001-27
22.	Bottom latch plate*	
23.	Screw* (3x)	
24.	Latch pin lower*	
25.	Flip top cover	623615
26.	Clip shelf large	623625-08
27.	Cap (4x)	623622-08
28.	Clip shelf small	623626-08
29.	Shelf	623055-08
30.	Fin clip	623023
31.	Shelf	623047-08
32.	Screw (8x)	
33.	Fin	
34.	Interior light switch	623018-08
35.	Interior light cover	624002
36.	Interior light bulb	624003
37.	Light bracket	

* **Not for all models**

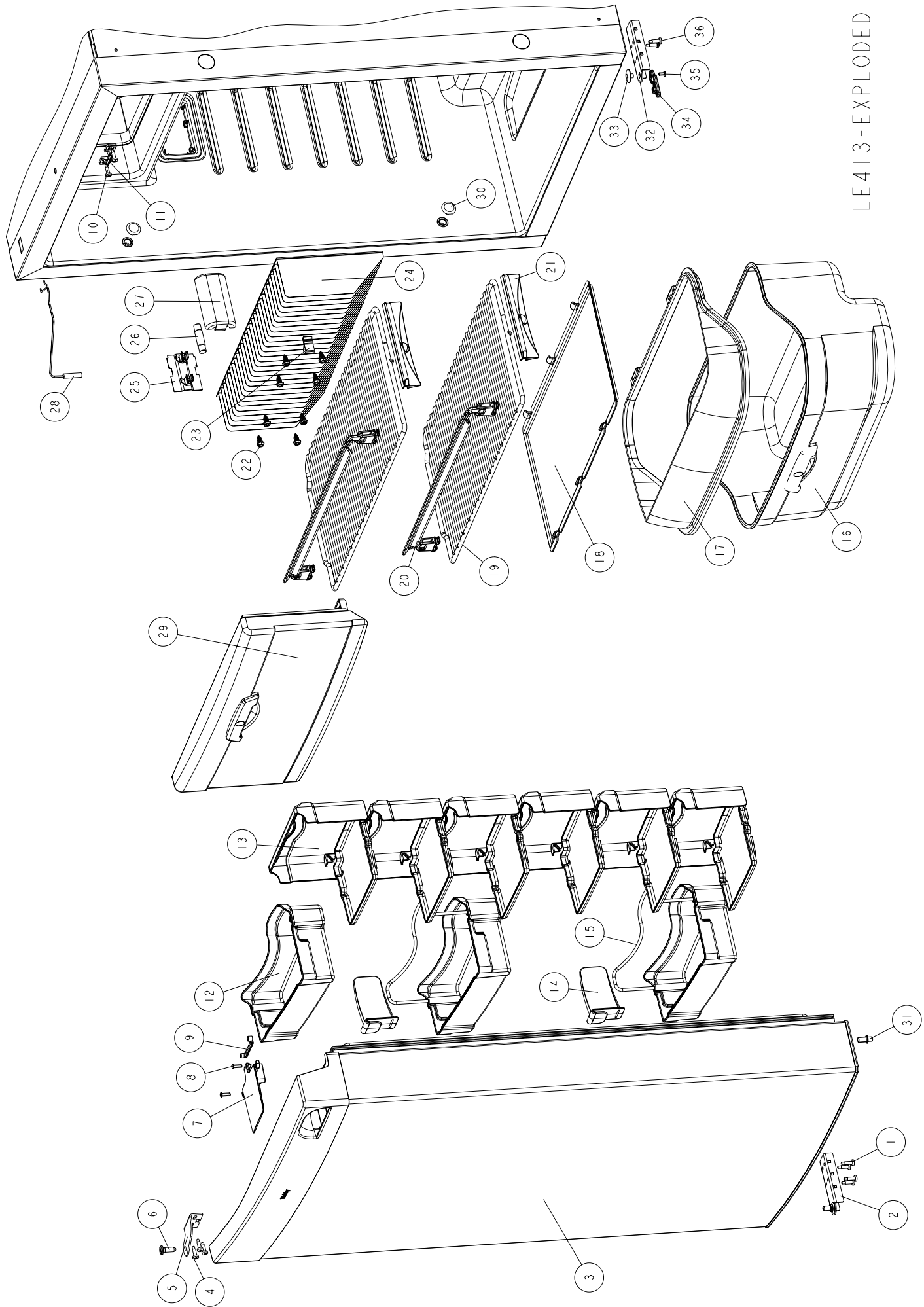


LO 005-EXPLODED

Interior and Door N110 (LO-005)**Spare part number**

1.	Screw (3x)	
2.	Hinge plate	
3.	Hinge pin bottom/washer	
4.	Door tearcurved low 525	627006-90
5.	Pocket cover	
6.	Screw (2x)	
7.	Hinge plate	
8.	Hinge pin top/washer	
9.	Screw (3x)	
10.	Latch V1	627007-90
10a.	Screw (2x)	
10b.	Storage strap V1	624679-07
10c.	Strike plate	
10d.	Screw (2x)	
11.	Hinge hole plug	
12.	Doorbin	624025-12
13.	Doorbin	623053-12
14.	Bottle retainer	
15.	Strap bumper	623042-12
16.	Strap clip	
17.	Freezer door	623043-08
	Hinge freezer door	624680-08
18.	Shelf food retainer	624456-08
19.	Shelf tray insert	623635-12
20.	Vegetable bin	623618
21.	Latch bottom*	624001-27
22.	Bottom latch plate*	
23.	Screw* (3x)	
24.	Latch pin lower*	
25.	Flip top cover	623615
26.	Clip shelf large	623625-08
27.	Cap (4x)	623622-08
28.	Clip shelf small	623626-08
29.	Shelf	623055-08
30.	Fin clip	623023
31.	Shelf	623047-08
32.	Screw (4x)	
33.	Fin	
34.	Interior light switch	623018-08
35.	Interior light cover	624002
36.	Interior light bulb	624003
37.	Light bracket	

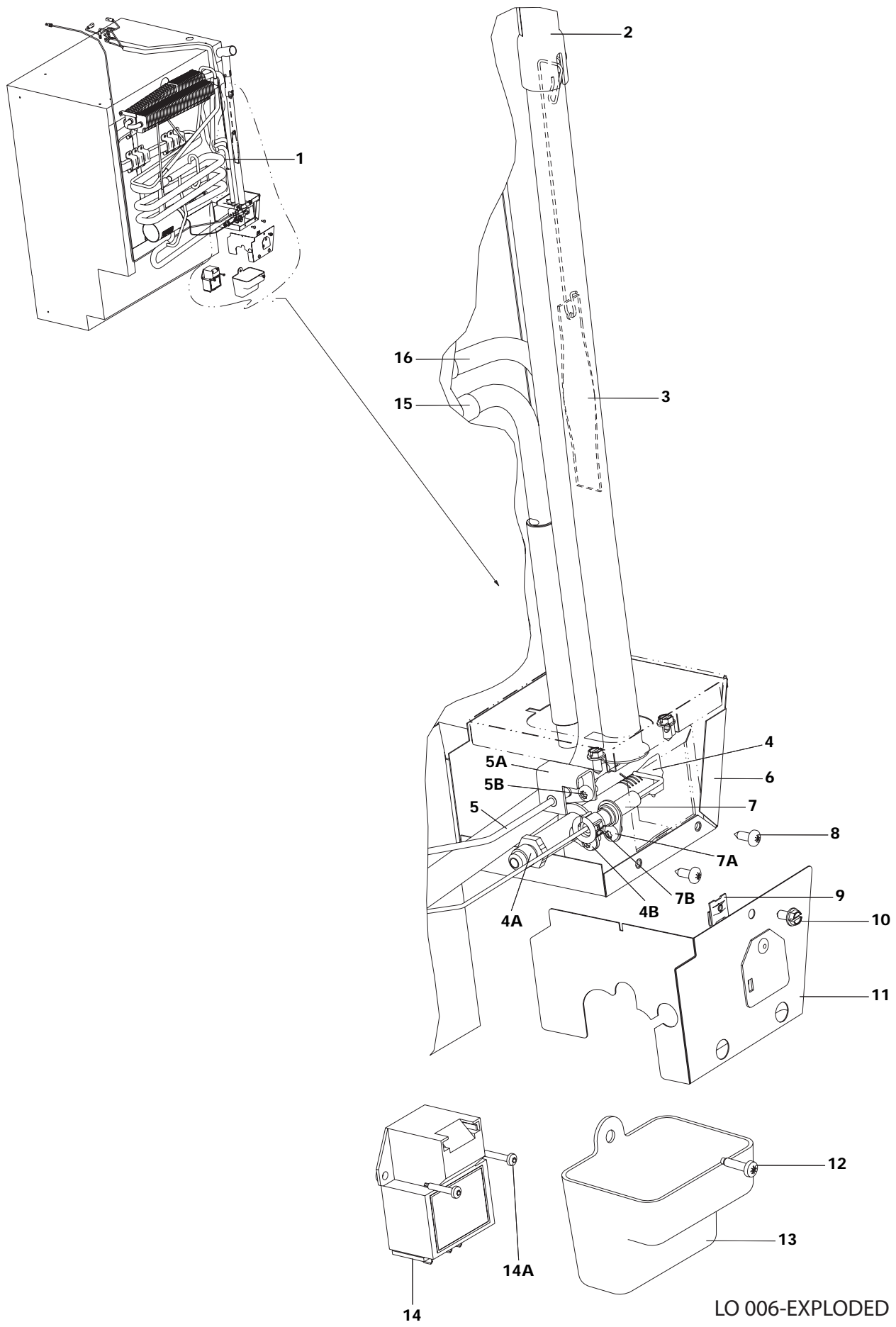
* **Not for all models**



LE413-EXPLODED

Interior and Door N115 (LE413)**Spare part number**

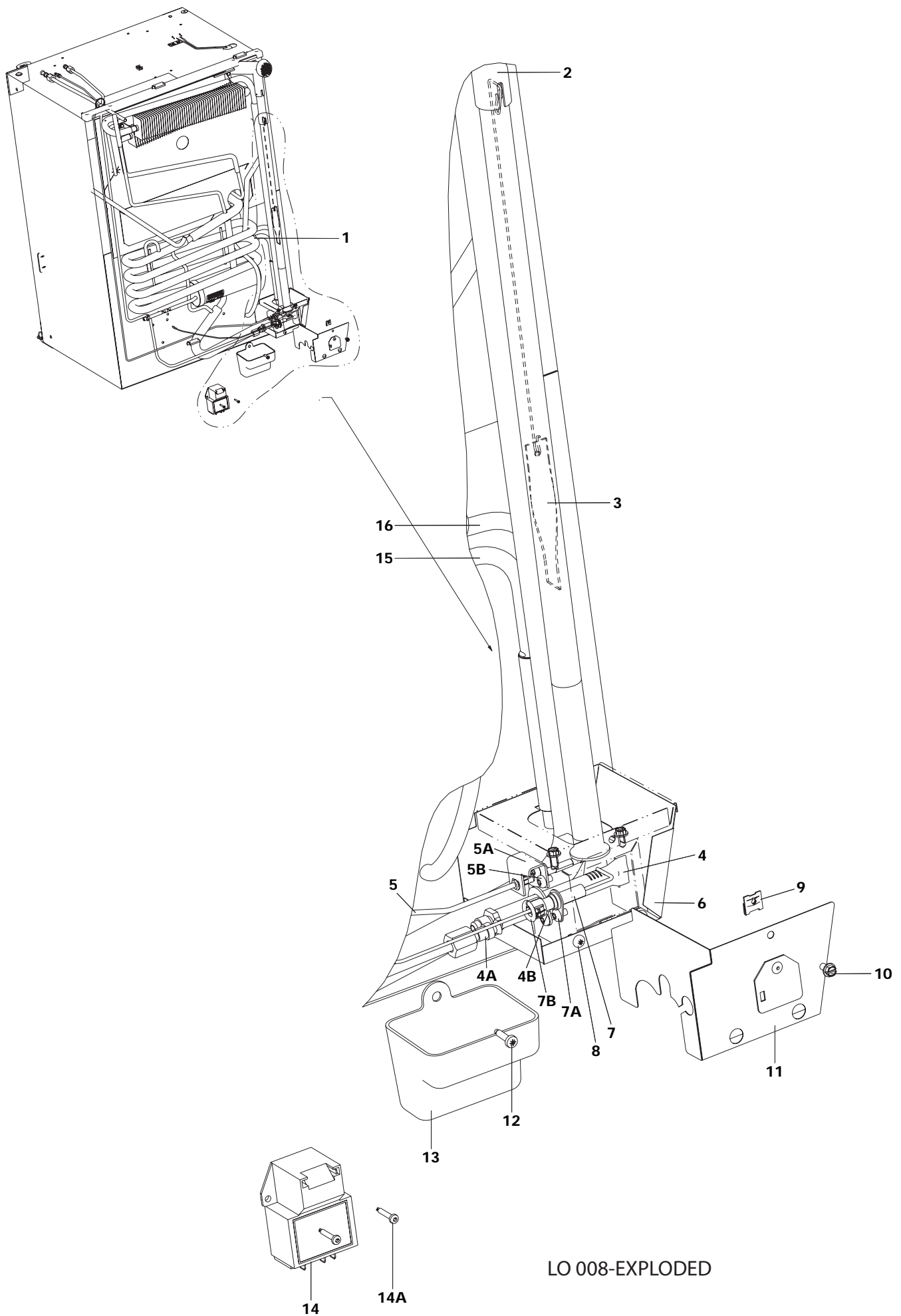
1.	Screw (4x)	
2.	Hinge bottom	
3.	Door Mollebusch	629740
	Door Vermont Ahorn	629741
	Door Elsass Kirschbaum	629742
	Door Bodensee Ahorn	629743
4.	Screw (3x)	
5.	Hinge top	
6.	Hinge pin top/washer	
7.	Latch V3	629744-90
8.	Screw (2x)	
9.	Storage strap	626986-90
10.	Screw (2x)	
11.	Strike plate	
12.	Doorbin (3x)	629745-12
13.	Doorbin (6x)	629747-12
14.	Bottle retainer (2x)	626989-12
15.	Rail (2x)	
16.	Vegetable bin	623617-30
17.	Top cover	626641-12
18.	Shelf tray insert	626641-12
19.	Shelf (2)	623051-08
20.	Shelf food retainer (2x)	624457-08
21.	Clip shelf large (2x)	623625-08
22.	Screw (8x)	
23.	Fin clip	623023
24.	Fin	
25.	Light bracket	
26.	Interior light bulb	624003
27.	Interior light cover	624002
28.	Switch	623018-08
29.	Freezer door	623043-30
	Hinge freezer door (2x)	624680-08
30.	Cap (4x)	623622-08
31.	Latch pin lower	
32.	Latch plate bottom	
33.	Ramp up	
34.	Latch bottom	629721
35.	Screw (1x)	
36.	Screw (2x)	



Cooling unit and burner box N80-N90-N112-N115 (LO-006)**Spare part number**

1.	Cooling unit	
2.	Flue exhaust long	624480
3.	Flame diffuser	
4.	Burner	623019
4a.	Orifice	
4b.	Screw	
5.	Thermocouple V2	625681
5a.	Retainer thermocouple	
5b.	Screw (2x)	
6.	Burner box base	
	<i>Piezo ignition</i>	
7.	Spark electrode	627004
7a.	Screw	
7b.	Bushing	
	<i>Electrical ignition</i>	
7.	Spark electrode	623021
7a.	Screw	
7b.	Bushing	
8.	Screw (2x)	
9.	Speed nut	624027
10.	Screw insulation cover	624026
11.	Burner box cover	
12.	Screw	
13.	Drip cup	
	<i>Electrical models</i>	
14.	Electronic ignition	623022
14a.	Screw (2x)	
15.	Heater AC	623064 628450**
16.	Heater DC	623065

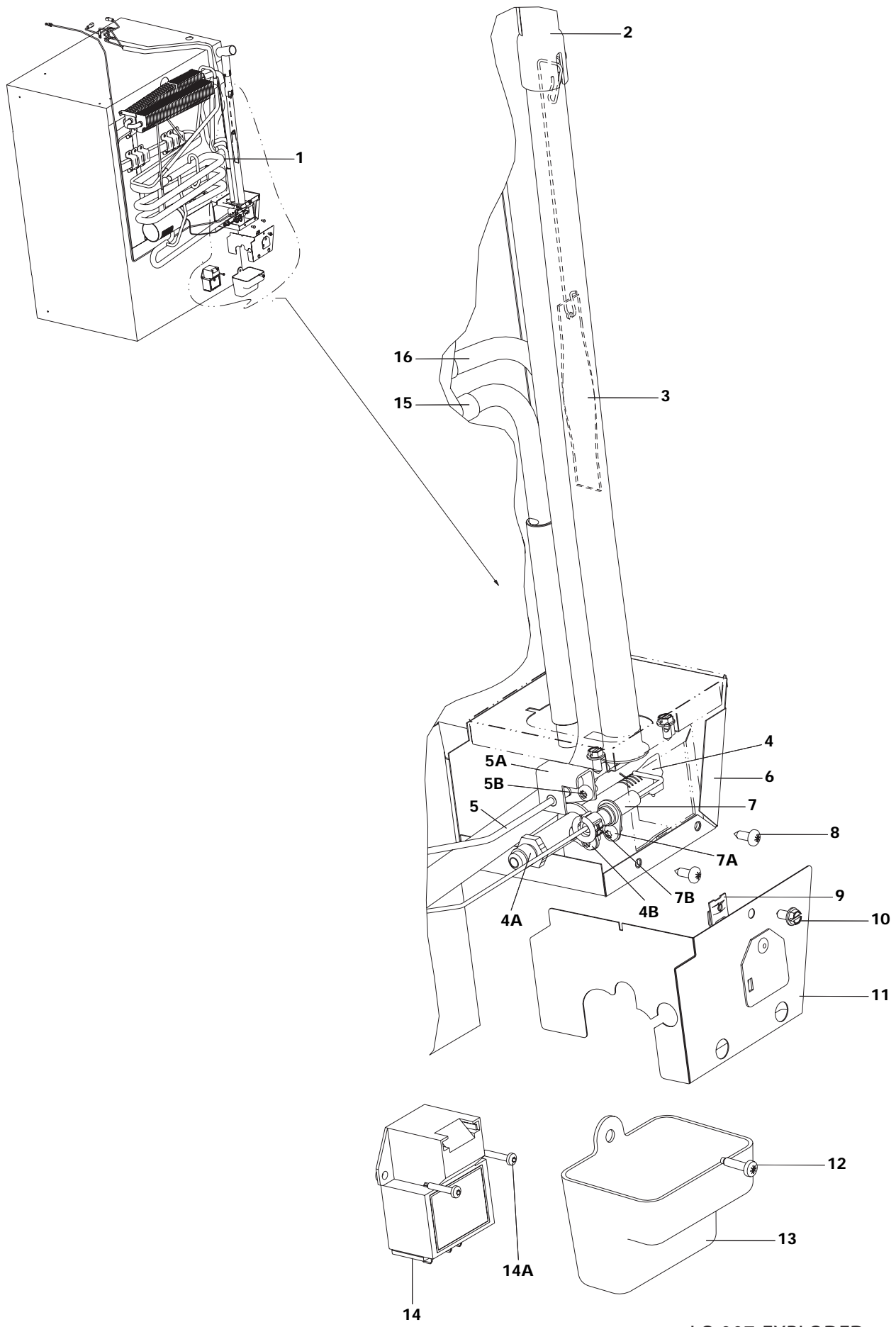
** As from July 1st 2005



Cooling unit and burner box N100-N110 (LO-008)**Spare part number**

1.	Cooling unit	
2.	Flue exhaust short	627008
3.	Flame diffuser	
4.	Burner	623019
4a.	Orifice	
4b.	Screw	
5.	Thermocouple V2	625681
5a.	Retainer thermocouple	
5b.	Screw (2x)	
6.	Burner box base	
	<i>Piezo ignition</i>	
7.	Spark electrode	627004
7a.	Screw	
7b.	Bushing	
	<i>Electrical ignition</i>	
7.	Spark electrode	623021
7a.	Screw	
7b.	Bushing	
8.	Screw (2x)	
9.	Speed nut	624027
10.	Screw insulation cover	624026
11.	Burner box cover	
12.	Screw	
13.	Drip cup	
	<i>Electrical models</i>	
14.	Electronic ignition	623022
14a.	Screw (2x)	
15.	Heater AC	623064 628450**
16.	Heater DC	623065

** As from July 1st 2005

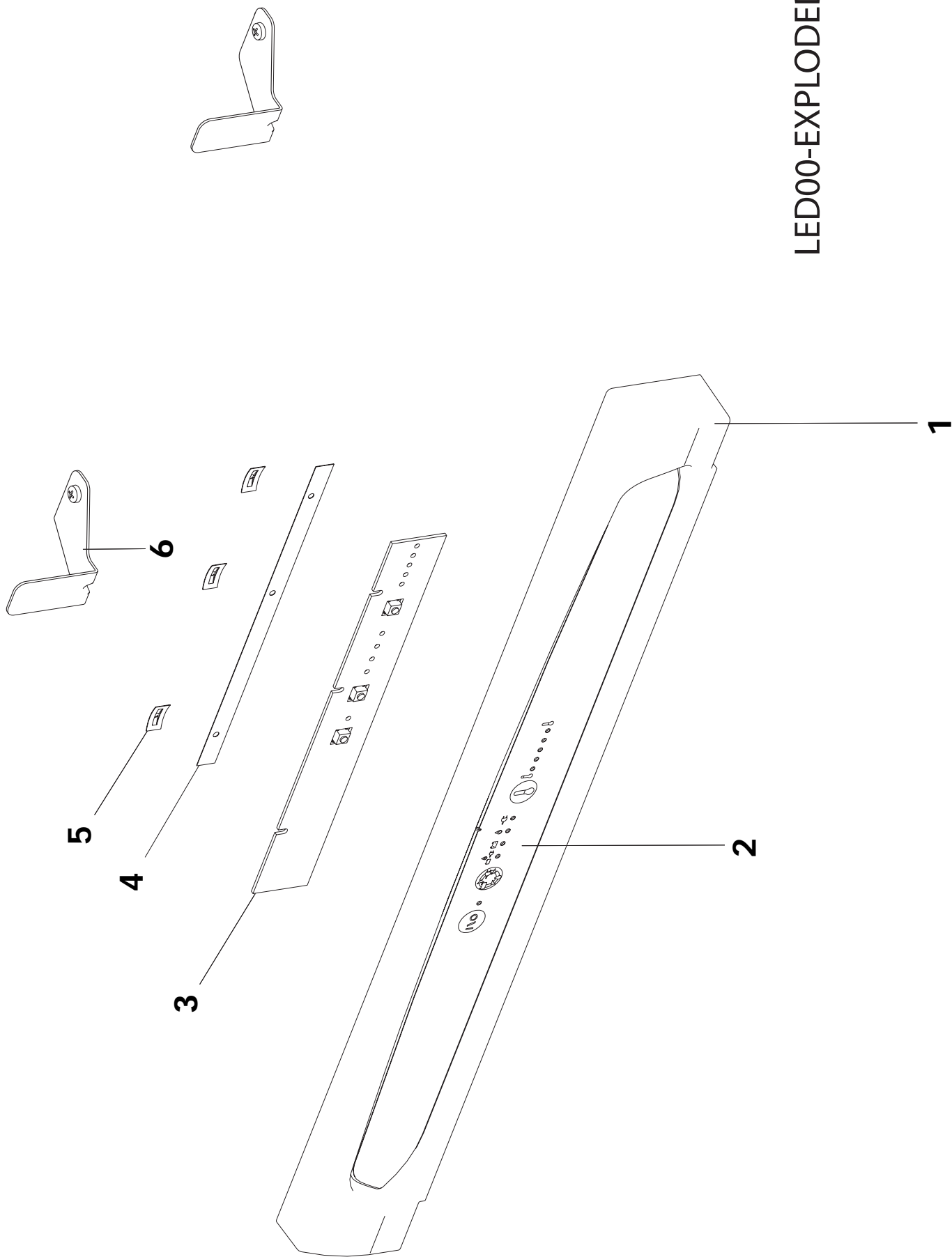


LO 007-EXPLODED

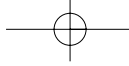
Cooling unit and burner box N109 (LO-007)**Spare part number**

1.	Cooling unit	
2.	Flue exhaust long	624480
3.	Flame diffuser	
4.	Burner	623019
4a.	Orifice	
4b.	Screw	
5.	Thermocouple V2	625681
5a.	Retainer thermocouple	
5b.	Screw	
6.	Burner box base	
	<i>Piezo ignition</i>	
7.	Spark electrode	627004
7a.	Screw	
7b.	Bushing	
	<i>Electrical ignition</i>	
7.	Spark electrode	623021
7a.	Screw	
7b.	Bushing	
8.	Screw	
9.	Speed nut	624027
10.	Screw insulation cover	624026
11.	Burner box cover	
12.	Screw	
13.	Drip cup	
	<i>Electrical models</i>	
14.	Electronic ignition	623022
14a.	Screw	
15.	Heater AC	623064 628450**
16.	Heater DC	623065

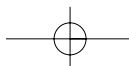
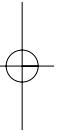
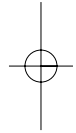
** As from July 1st 2005

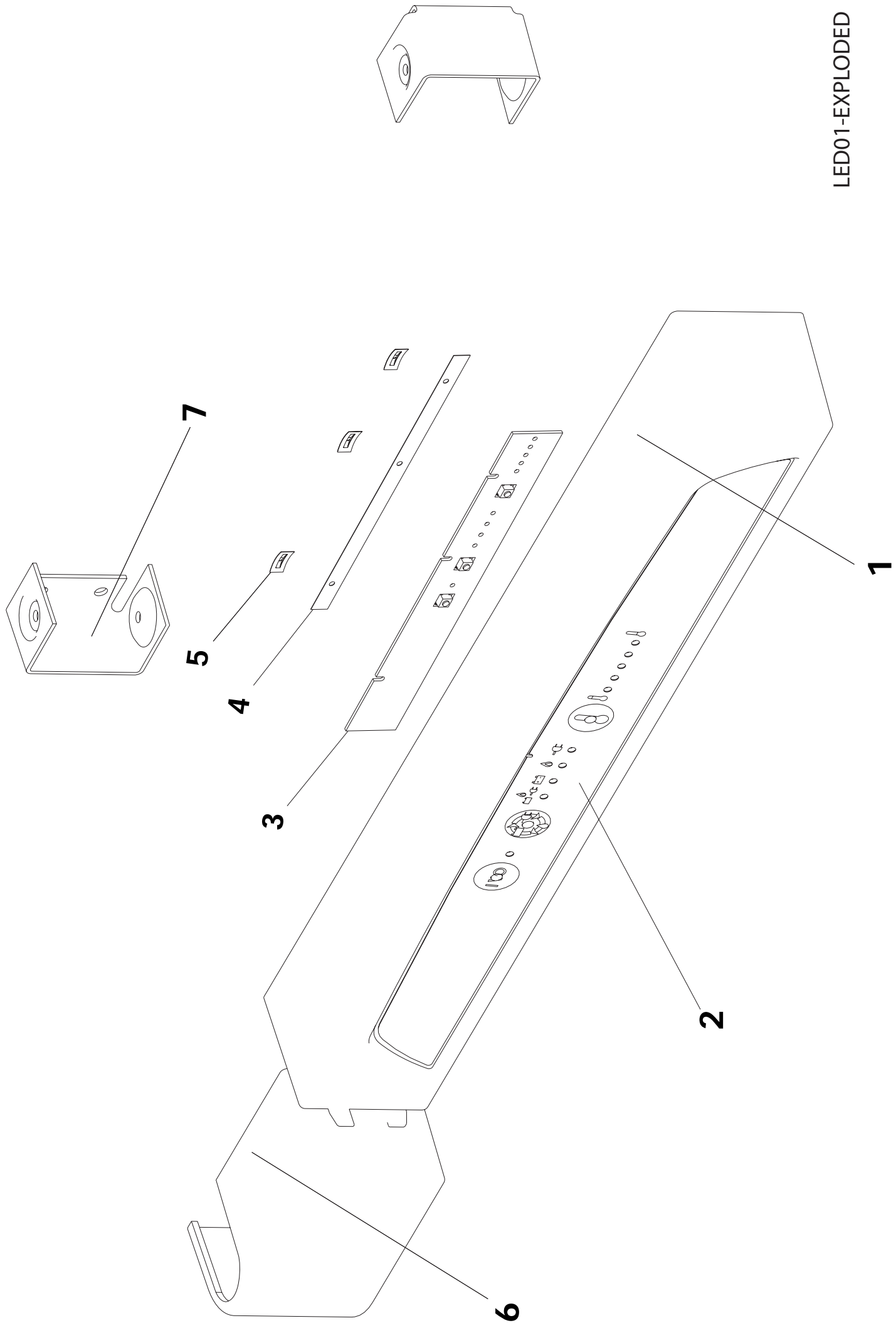


LED00-EXPLODED

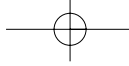
**Controls LED (LED-00)****Spare part number**

1.	Control panel LED	627002-07
2.	Overlay LED	627000
3.	Display board LED V2	626997
4.	Insulator	
5.	Push on nut	
6.	Bracket	



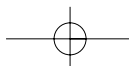
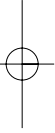


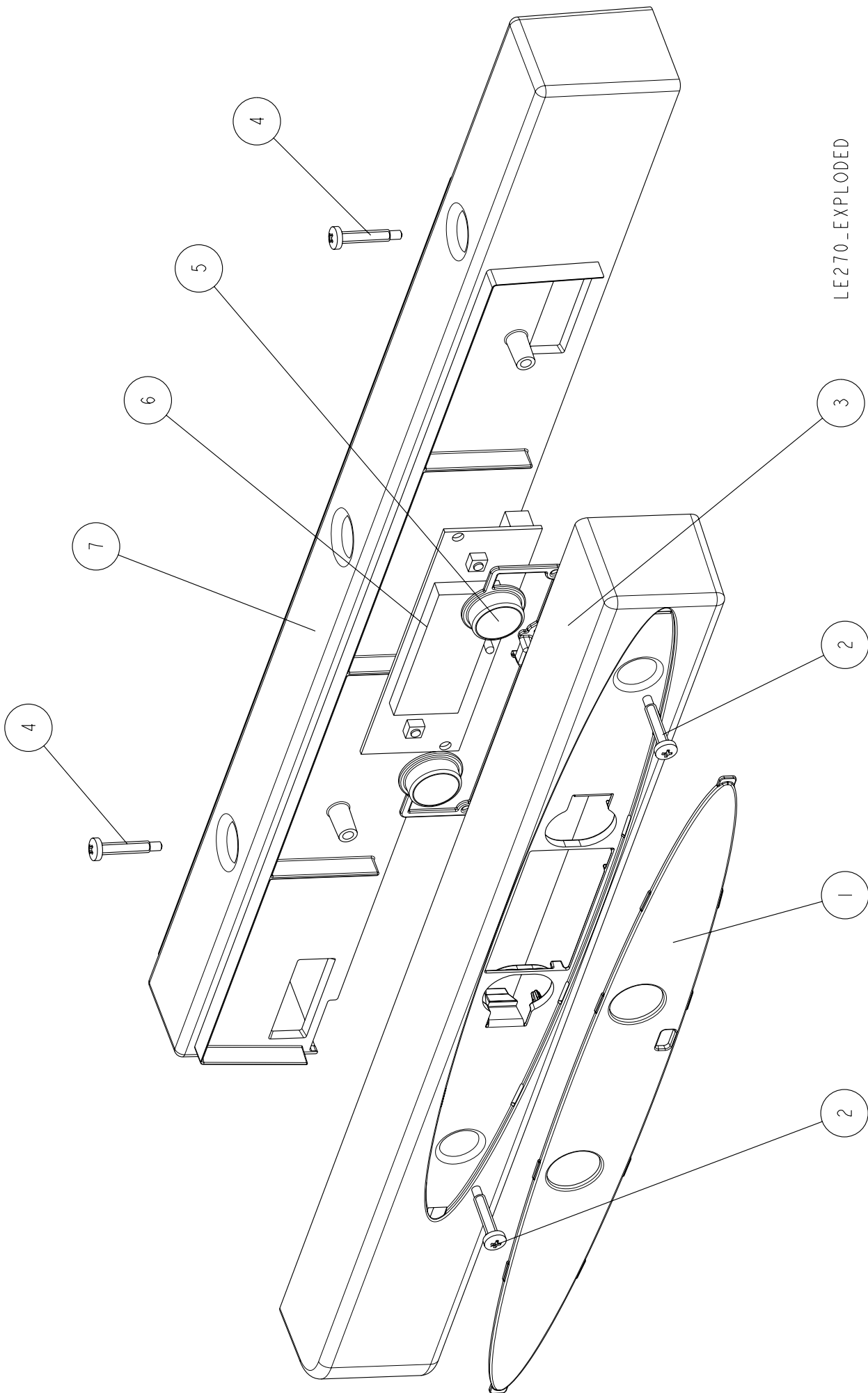
LED01-EXPLODED

**Controls LED Fridge freezer (LED-01)****Spare part number**

1.	Control panel LED	627003-07
2.	Overlay LED fridge freezer	625684
3.	Display board LED V2	626997
4.	Insulator	
5.	Push on nut	
6.	Cover center hinge	
7.	Bracket	

r



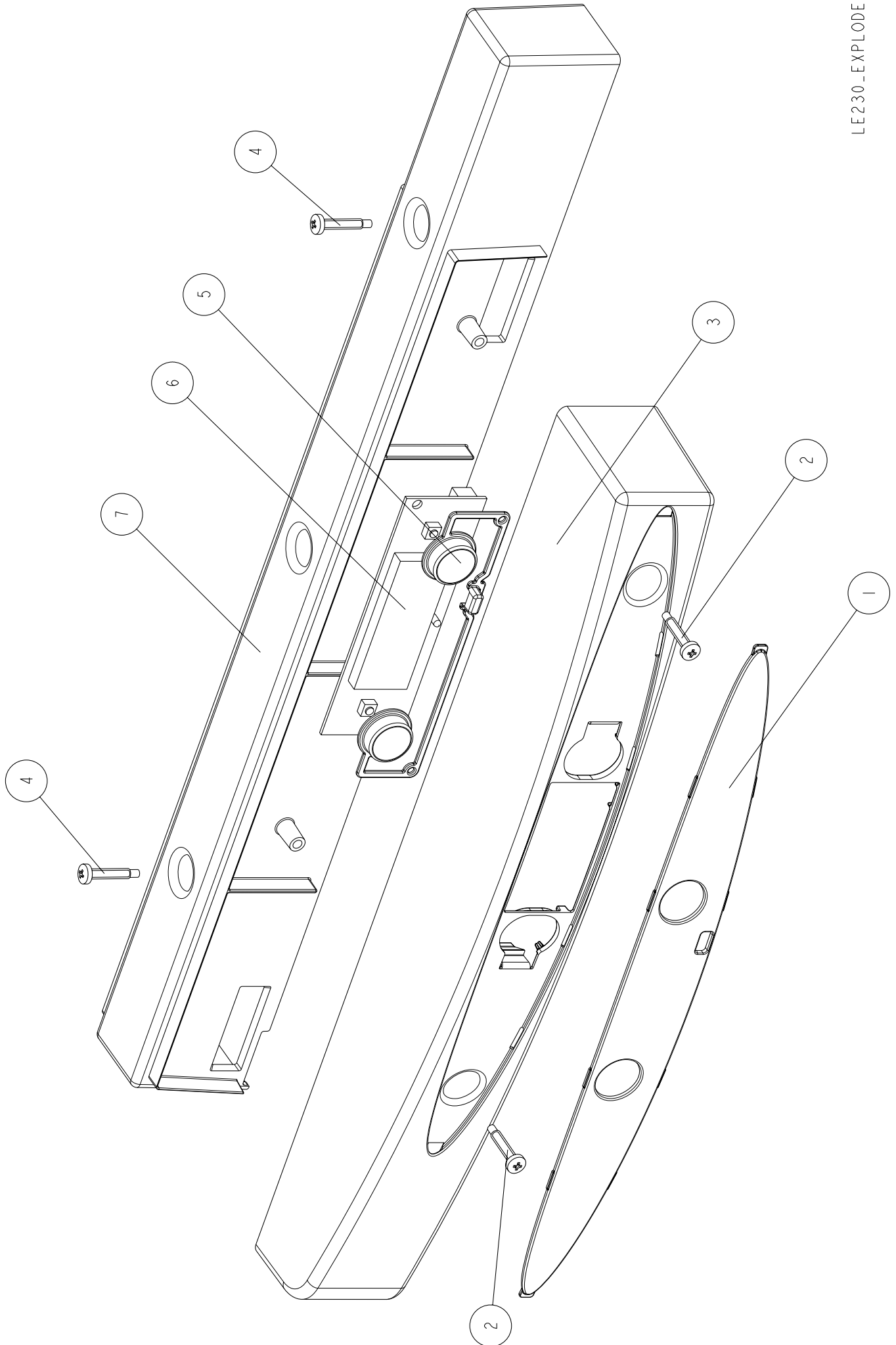


LE270_EXPLODED

Controls LCD Flat (LE-270)**Spare part number**

1.	Overlay LCD	626975
2.	Screw	
3.	Control panel LCD flat	626974-07
4.	Screw	
5.	Push buttons	
6.	Display board LCD	626972
7.	Mounting box*	

* **Not for all models**

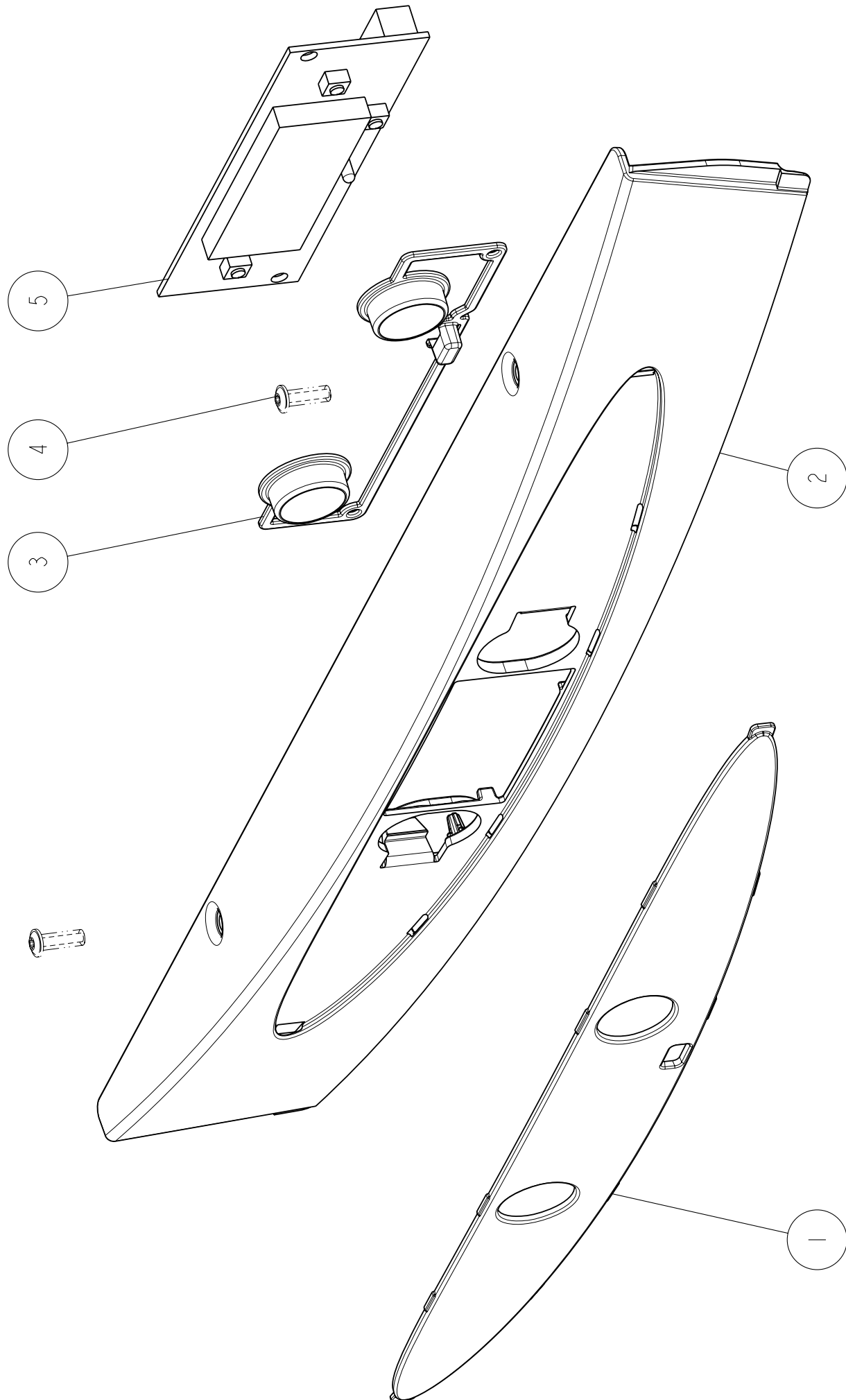


LE230_EXPLODED

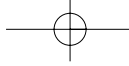
Controls LCD Curved (LE-230)**Spare part number**

1.	Overlay LCD	626975
2.	Screw	
3.	Control panel LCD curved	626973-07
4.	Screw	
5.	Push buttons	
6.	Display board LCD	626972
7.	Mounting box*	

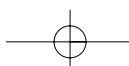
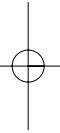
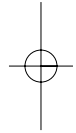
* **Not for all models**

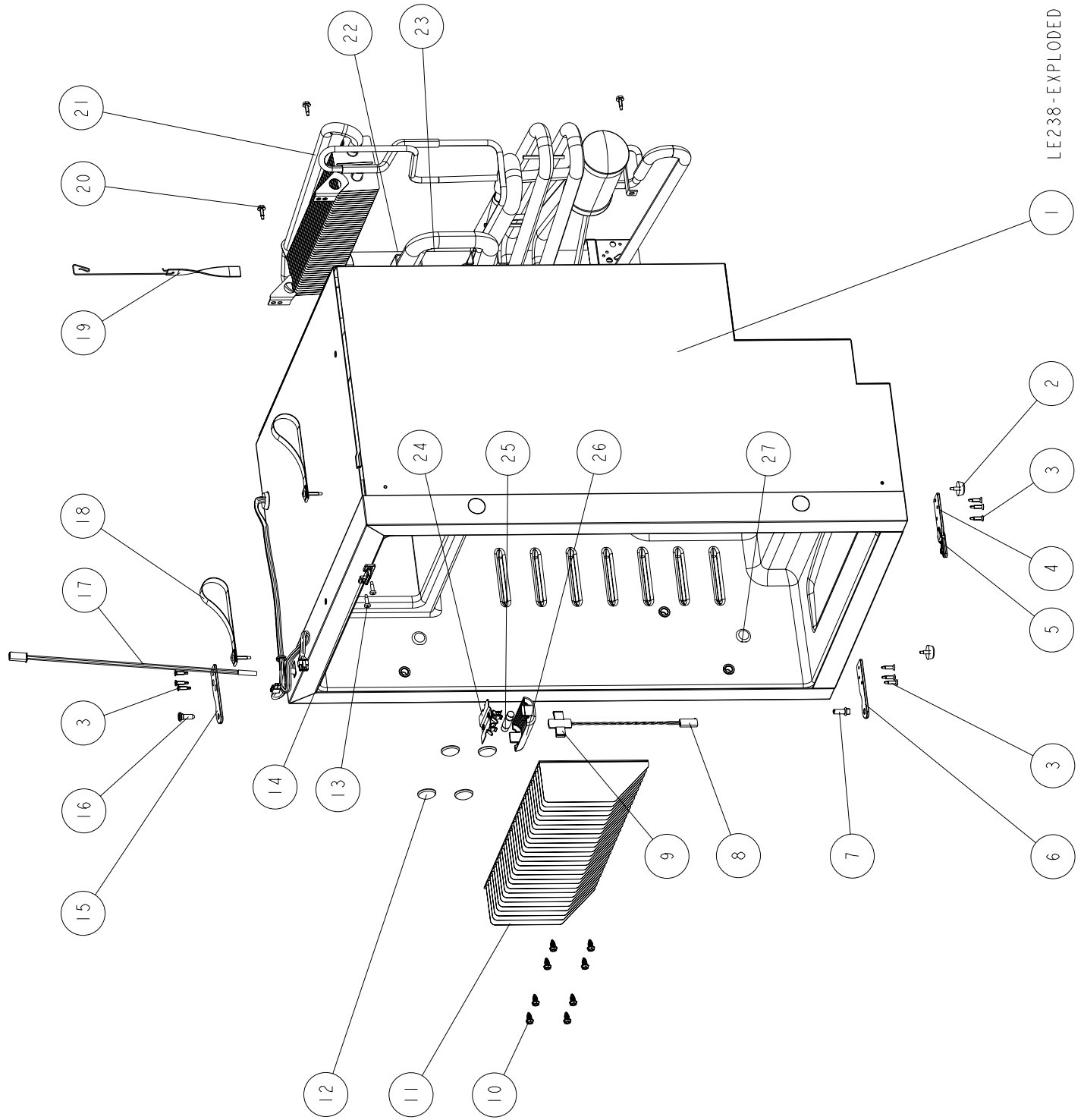


LE422 EXPLODED

**Controls LCD Curved (LE-442)****Spare part number**

1.	Overlay LCD	626975
2.	Control panel LCD Curved door	629720-07
3.	Screw	
4.	Push buttons	
5.	Display board LCD	626972



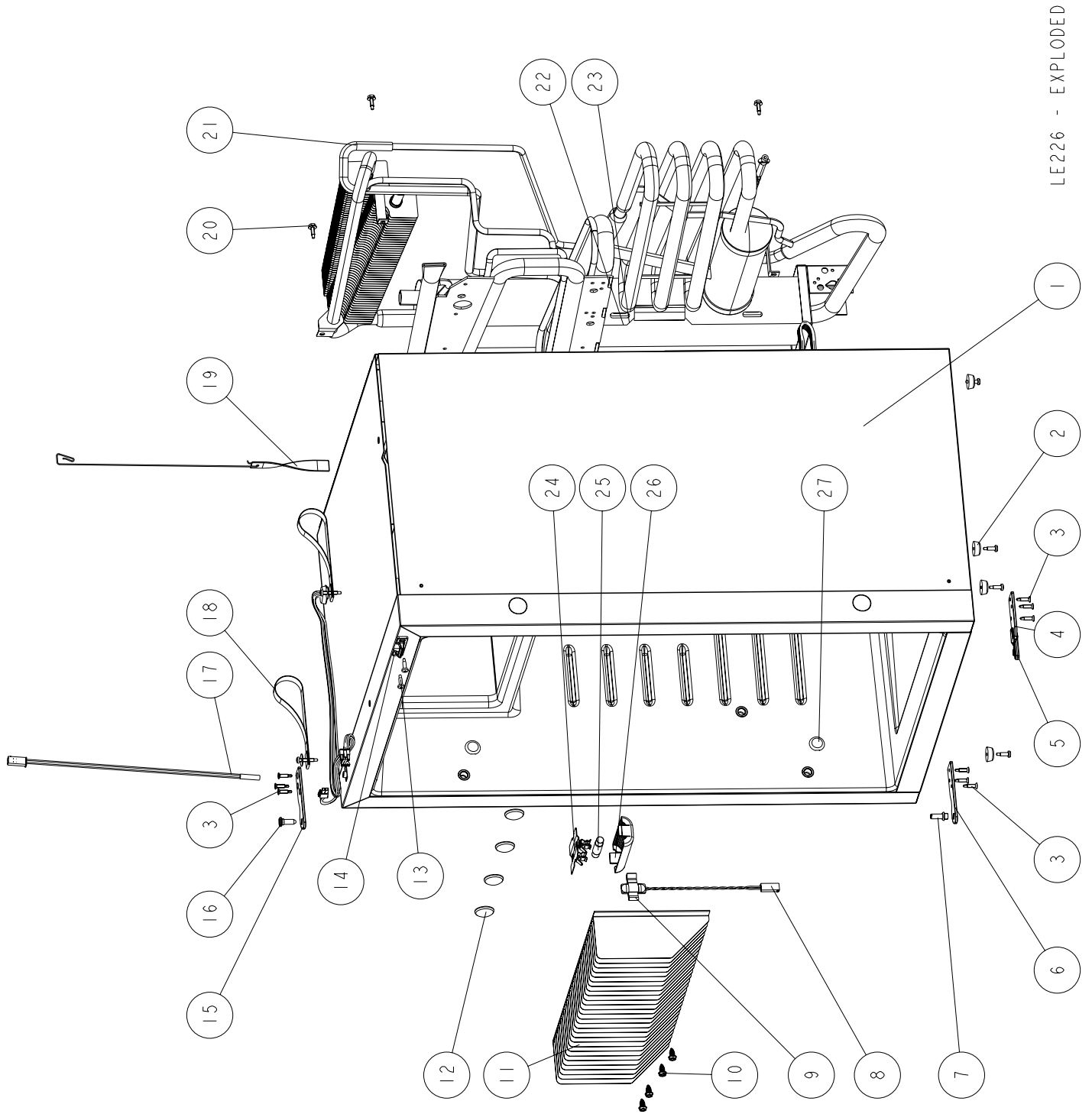


LE238 - EXPLODED

Cabinet and cooling unit N90-N97-N112 (LE-238)**Spare part number**

1.	Cabinet	
2.	Foot (2x)	
3.	Screw* (9x)	
4.	Bottom latch plate*	
5.	Latch bottom*	624001-27
6.	Hinge plate	
7.	Hinge pin bottom/washer	
8.	Thermistor	623077
9.	Fin clip	623059
10.	Screw (8x)	
11.	Fin	
12.	Cap freezer bolt (4x)	624479-08
13.	Screw (2x)	
14.	Strike plate	
15.	Hinge plate	
16.	Hinge pin top/washer	
17.	Interior light switch	623061
18.	Strap (2x)	
19.	Heat diffuser	
20.	Screw (2x)	
21.	Cooling unit	
22.	Heater AC	626994
23.	Heater DC	626995
24.	Light bracket	
25.	Interior light bulb	624003
26.	Interior light cover	624002
27.	Cap (4x)	623622-08

* **Not for all models**

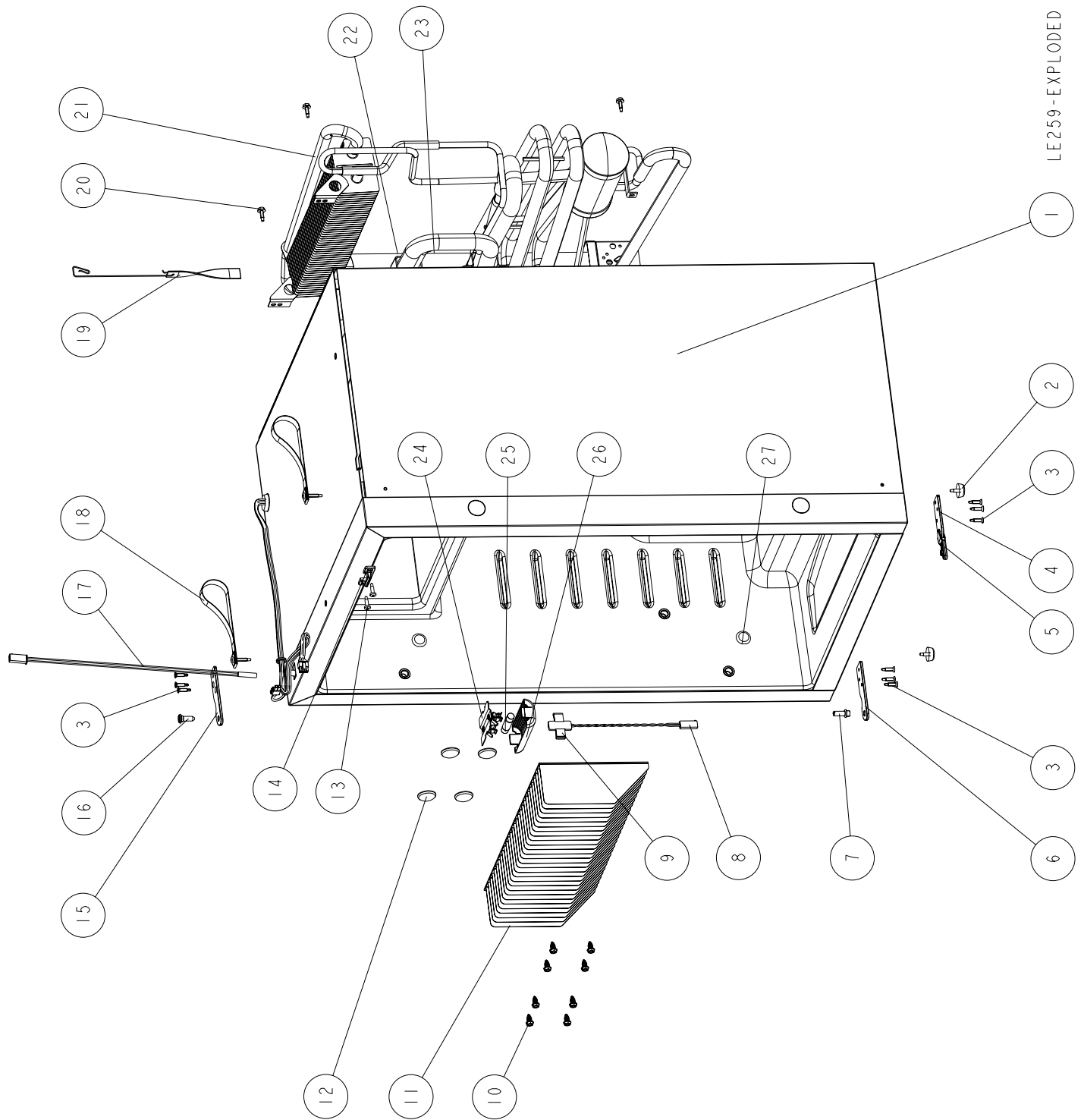


LE226 - EXPLODED

Cabinet and cooling unit N100-N104 (LE-226)**Spare part number**

1.	Cabinet	
2.	Foot (4x)	
3.	Screw* (9x)	
4.	Bottom latch plate*	
5.	Latch bottom*	624001-27
6.	Hinge plate	
7.	Hinge pin bottom/washer	
8.	Thermistor	623077
9.	Fin clip	623059
10.	Screw (4x)	
11.	Fin	
12.	Cap freezer bolt (4x)	624479-08
13.	Screw (2x)	
14.	Strike plate	
15.	Hinge plate	
16.	Hinge pin top/washer	
17.	Interior light switch	623061
18.	Strap (2x)	
19.	Heat diffuser	
20.	Screw (3x)	
21.	Cooling unit	
22.	Heater AC	626994
23.	Heater DC	626995
24.	Light bracket	
25.	Interior light bulb	624003
26.	Interior light cover	624002
27.	Cap (4x)	623622-08

* **Not for all models**

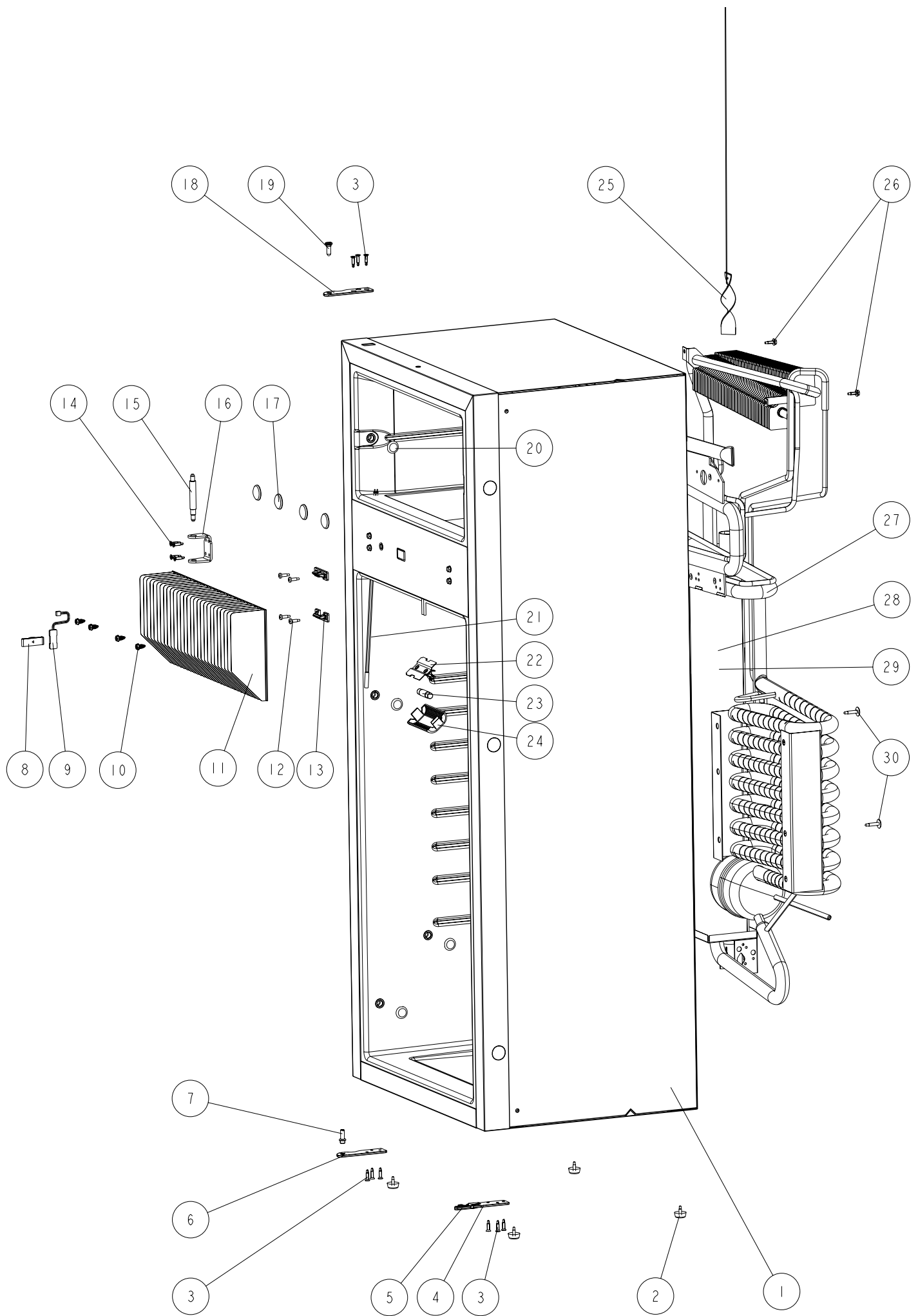


LE259-EXPLODED

Cabinet and cooling unit N109 (LE-259)**Spare part number**

1.	Cabinet	
2.	Foot (4x)	
3.	Screw* (9x)	
4.	Bottom latch plate*	
5.	Latch bottom*	624001-27
6.	Hinge plate	
7.	Hinge pin bottom/washer	
8.	Thermistor	623077
9.	Fin clip	623059
10.	Screw (8x)	
11.	Fin	
12.	Cap freezer bolt (4x)	624479-08
13.	Screw (2x)	
14.	Strike plate	
15.	Hinge plate	
16.	Hinge pin top/washer	
17.	Interior light switch	623061
18.	Strap (2x)	
19.	Heat diffuser	
20.	Screw (3x)	
21.	Cooling unit	
22.	Heater AC	626994
23.	Heater DC	626995
24.	Light bracket	
25.	Interior light bulb	624003
26.	Interior light cover	624002
27.	Cap (4x)	623622-08

* **Not for all models**

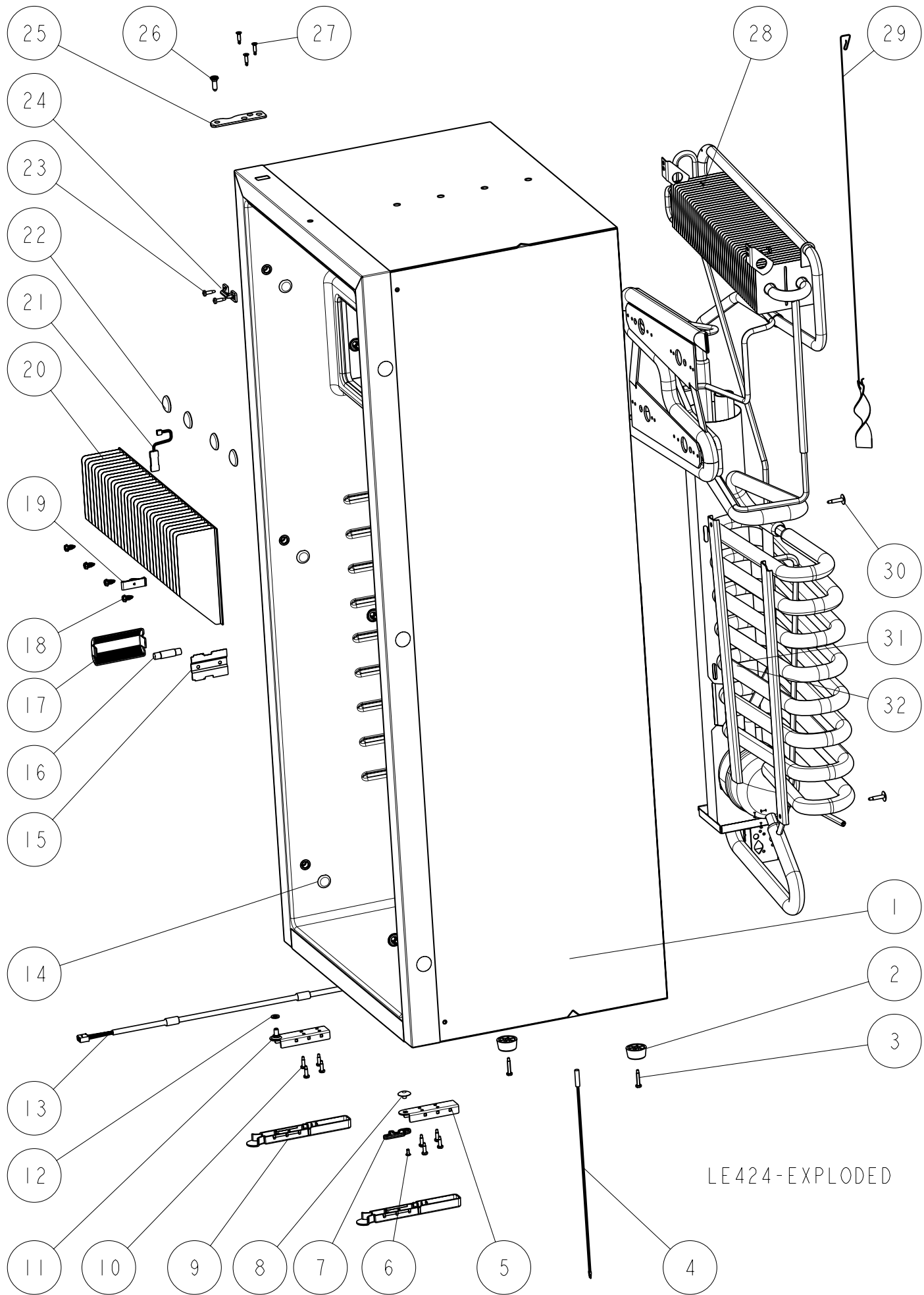


LE232-EXPLODED

Cabinet and cooling unit N145-N150 (LE-232)**Spare part number**

1.	Cabinet	
2.	Foot (4x)	
3.	Screw* (9x)	
4.	Bottom latch plate*	
5.	Latch bottom*	624001-27
6.	Hinge plate	
7.	Hinge pin bottom/washer	
8.	Fin clip	623059
9.	Thermistor	623077
10.	Screw (4x)	
11.	Fin	
12.	Screw (4x)	
13.	Strike plate (2x)	
14.	Screw (4x)	
15.	Hinge center pin	
16.	Hinge center bracket	
17.	Cap freezer bolt (4x)	624479-08
18.	Hinge plate	
19.	Hinge pin top/washer	
20.	Cap (6x)	623622-08
21.	Interior light switch	623061
22.	Light bracket	
23.	Interior light bulb	624003
24.	Interior light cover	624002
25.	Heat diffuser	
26.	Screw (2x)	
27.	Cooling unit	
28.	Heater AC	626992
29.	Heater DC	626993
30.	Screw (2x)	

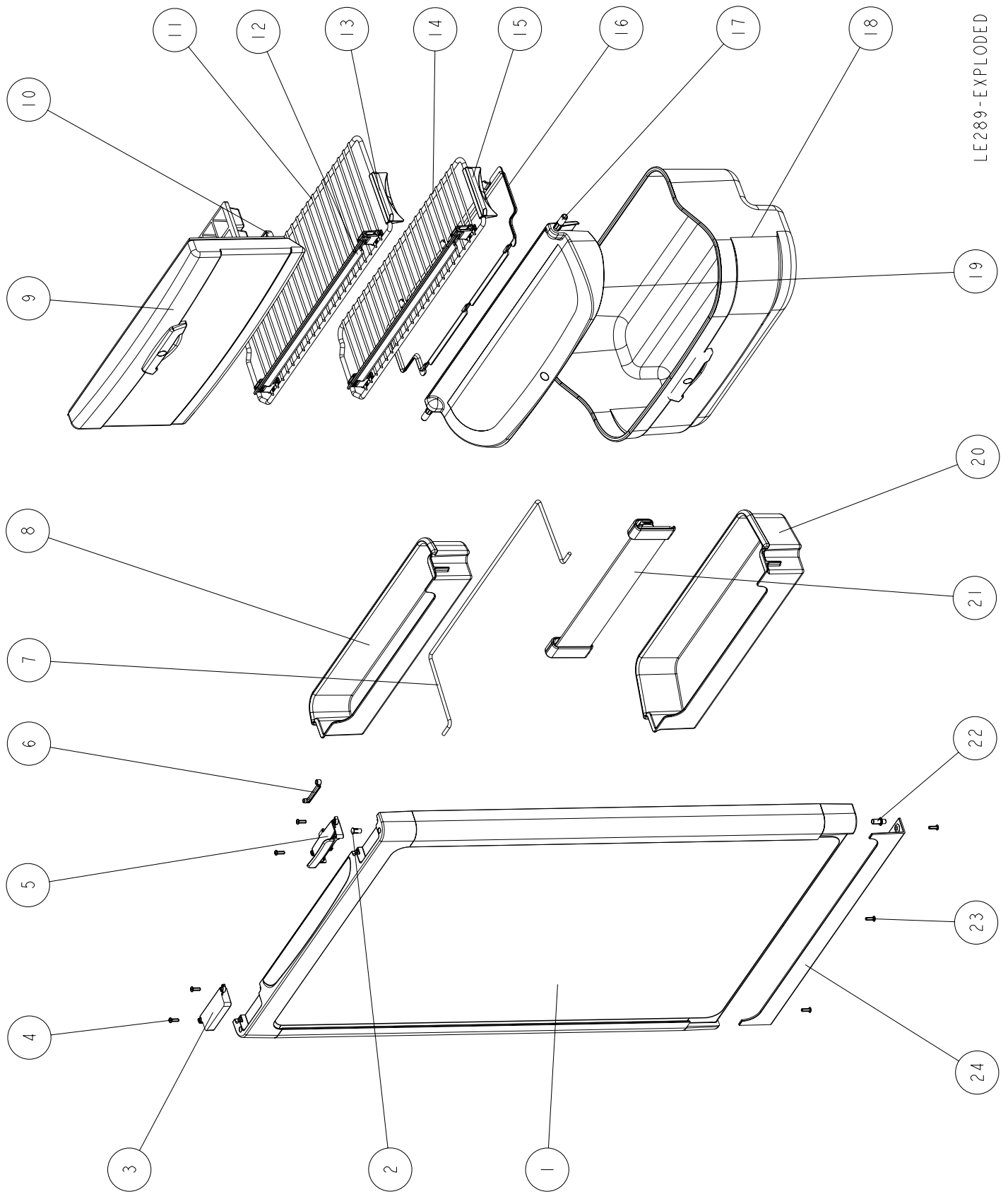
* **Not for all models**



LE424-EXPLODED

Cabinet and cooling unit N180 (LE-424)**Spare part number**

1.	Cabinet	
2.	Foot (2x)	
3.	Screw (2x)	
4.	Interior light switch	629722
5.	Latch plate bottom	
6.	Screw	
7.	Latch bottom	629721
8.	Ramp up	
9.	Hinge cap (2x)	
10.	Screw (8x)	
11.	Hinge plate bottom	
12.	Washer	
13.	Cable flexible	629723
14.	Cap (6x)	623622-08
15.	Light bracket	
16.	Interior light bulb	624003
17.	Interior light cover	624002
18.	Screw(4x)	
19.	Fin clip	623059
20.	Fin	
21.	Thermistor	623077
22.	Cap freezer bolt (4x)	624479-08
23.	Screw (4x)	
24.	Strike plate (2x)	
25.	Hinge plate	
26.	Hinge pin top/washer	
27.	Screws (3x)	
28.	Cooling unit	
29.	Heat diffuser	
30.	Screw (2x)	
31.	Heater AC	626992
32.	Heater DC	626993

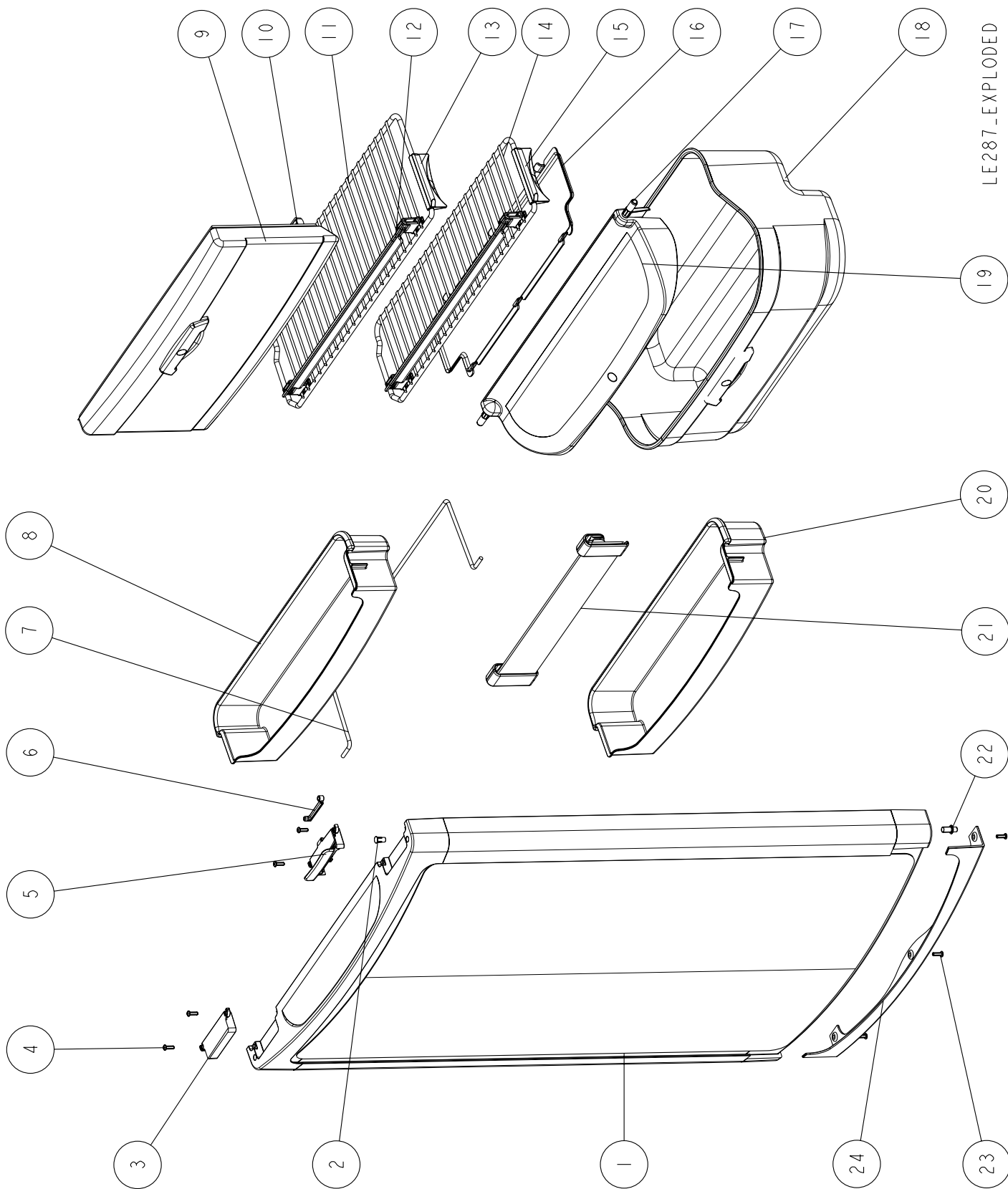


LE289-EXPLODED

Door and cabinet interior N90 (LE-289)**Spare part number**

1.	Door flat low 525	625091-07
2.	Hinge hole plug	
3.	Pocket cover	
4.	Screw (4x)	
5.	Latch V2	626985-07
6.	Storage strap V2	626986-07
7.	Bottle retainer	
8.	Doorbin	623049-08
9.	Freezer door	623043-08
10.	Hinge freezer door (2x)	624680-08
11.	Shelf	623048-08
12.	Shelf food retainer (2x)	624456-08
13.	Clip shelf large	623625-08
14.	Shelf	623047-08
15.	Clip shelf small	623626-08
16.	Shelf tray insert	623634-12
17.	Hinge pin (2x)	
18.	Vegetable bin	623617
19.	Flip top cover	623615
20.	Doorbin	624024-08
21.	Bottle retainer	623042-12
22.	Bottom latch pin*	
23.	Screw (3x)	
24.	Panel retainer	

* **Not for all models**

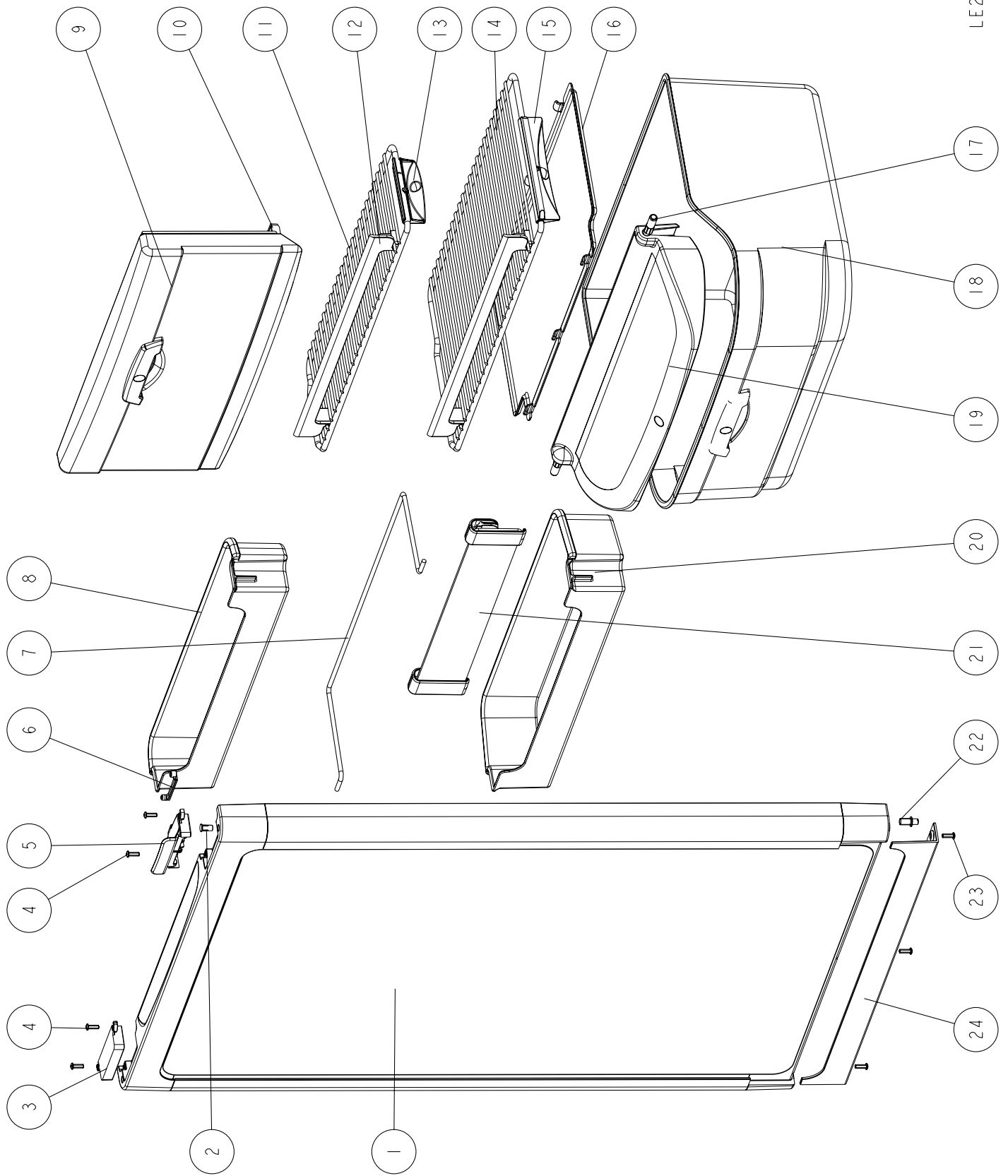


LE287-EXPLODED

Door and cabinet interior N97 (LE-287)**Spare part number**

1.	Door curved low 525	626984-07
2.	Hinge hole plug	
3.	Pocket cover	
4.	Screw (4x)	
5.	Latch V2	626985-07
6.	Storage strap V2	626986-07
7.	Bottle retainer	
8.	Doorbin	624025-08
9.	Freezer door	623043-08
10.	Hinge freezer door (2x)	624680-08
11.	Shelf	623048-08
12.	Shelf food retainer (2x)	624456-08
13.	Clip shelf large	623625-08
14.	Shelf	623047-08
15.	Clip shelf small	623626-08
16.	Shelf tray insert	623634-12
17.	Hinge pin	
18.	Vegetable bin	623617
19.	Flip top cover	623615
20.	Doorbin	623053-08
21.	Bottle retainer	623042-12
22.	Bottom latch pin*	
23.	Screw (3x)	
24.	Panel retainer	

* **Not for all models**

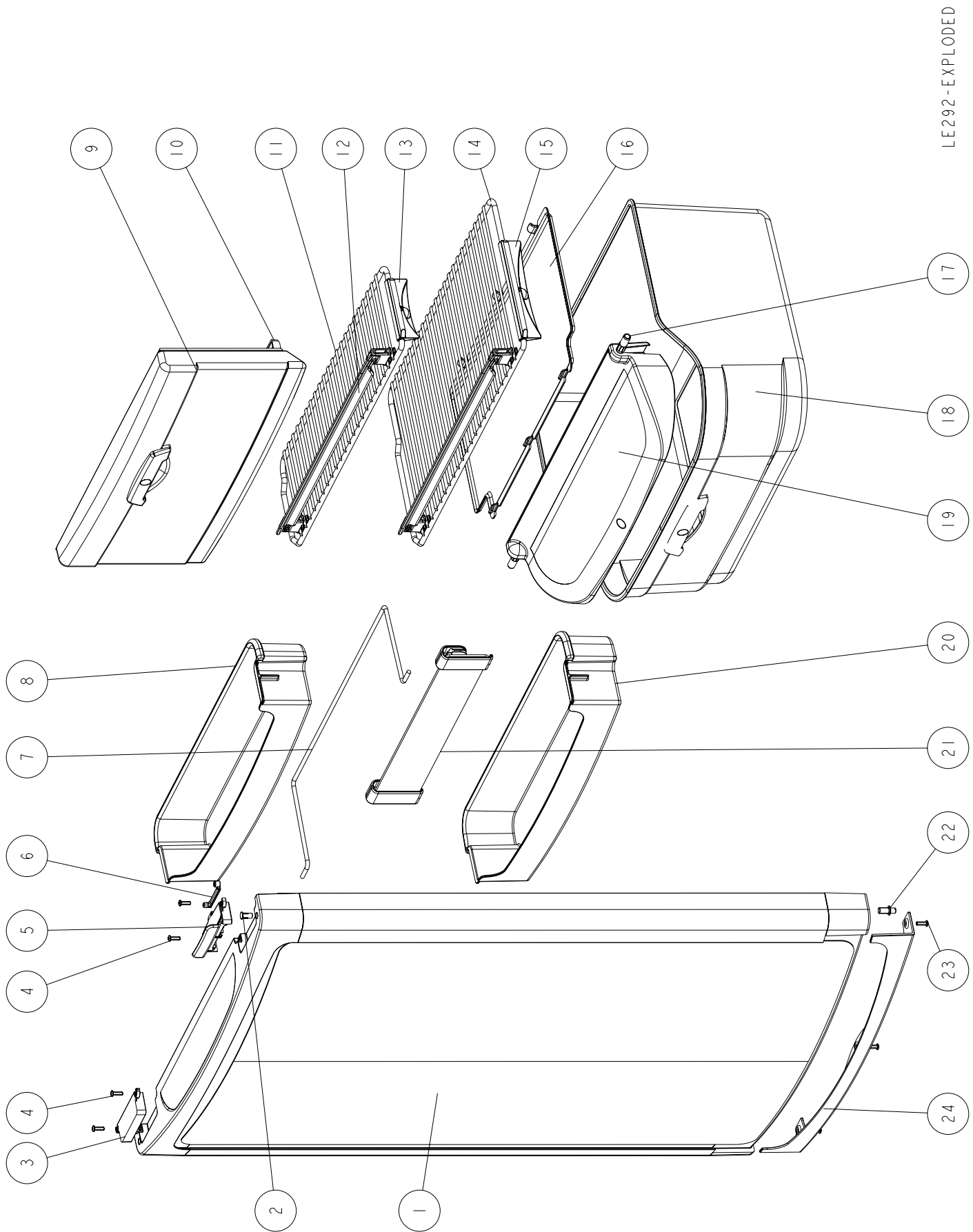


LE293-EXPLODED

Door and cabinet interior N100 (LE-293)**Spare part number**

1.	Door flat low 525	625091-07
2.	Hinge hole plug	
3.	Pocket cover	
4.	Screw (4x)	
5.	Latch V2	626985-07
6.	Storage strap V2	626986-07
7.	Bottle retainer	
8.	Doorbin	623049-08
9.	Freezer door	623043-08
10.	Hinge freezer door (2x)	624680-08
11.	Shelf	623047-08
12.	Shelf food retainer (2x)	624456-08
13.	Clip shelf small	623626-08
14.	Shelf	623055-08
15.	Clip shelf large	623625-08
16.	Shelf tray insert	623635-12
17.	Hinge pin	
18.	Vegetable bin	623618
19.	Flip top cover	623615
20.	Doorbin	624024-08
21.	Bottle retainer	623042-12
22.	Bottom latch pin*	
23.	Screw (3x)	
24.	Panel retainer	

* **Not for all models**

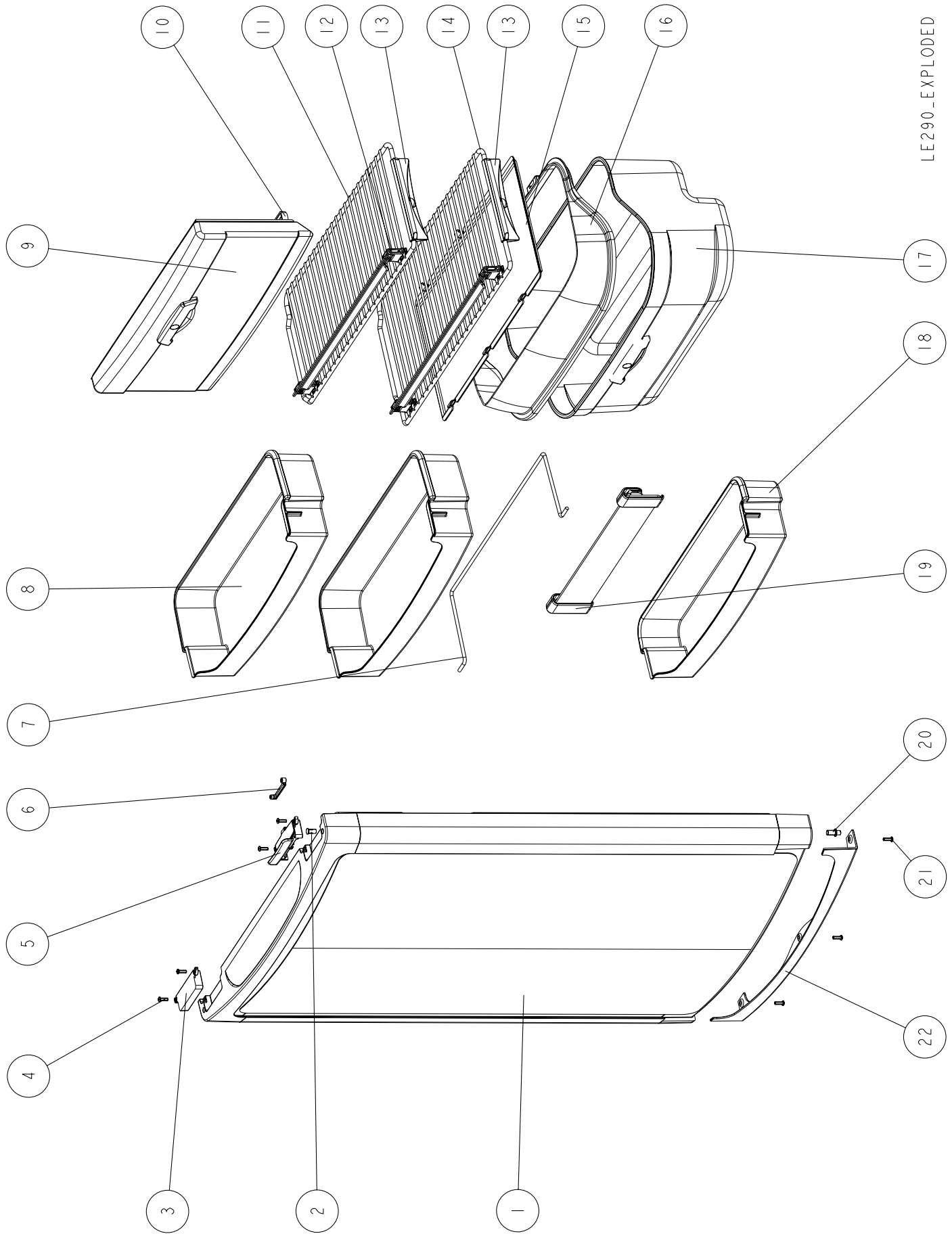


LE292-EXPLODED

Door and cabinet interior N104-N109 (LE-292)**Spare part number**

1.	Door curved low 525	626984-07
2.	Hinge hole plug	
3.	Pocket cover	
4.	Screw (4x)	
5.	Latch V2	626985-07
6.	Storage strap V2	626986-07
7.	Bottle retainer	
8.	Doorbin	624025-08
9.	Freezer door	623043-08
10.	Hinge freezer door (2x)	624680-08
11.	Shelf	623047-08
12.	Shelf food retainer (2x)	624457-08
13.	Clip shelf small	623626-08
14.	Shelf	623055-08
15.	Clip shelf large	623625-08
16.	Shelf tray insert	623635-12
17.	Hinge pin	
18.	Vegetable bin	623618
19.	Flip top cover	623615
20.	Doorbin	623053-12
21.	Bottle retainer	623042-12
22.	Bottom latch pin*	
23.	Screw (3x)	
24.	Panel retainer	

* **Not for all models**



LE290_EXPLODED

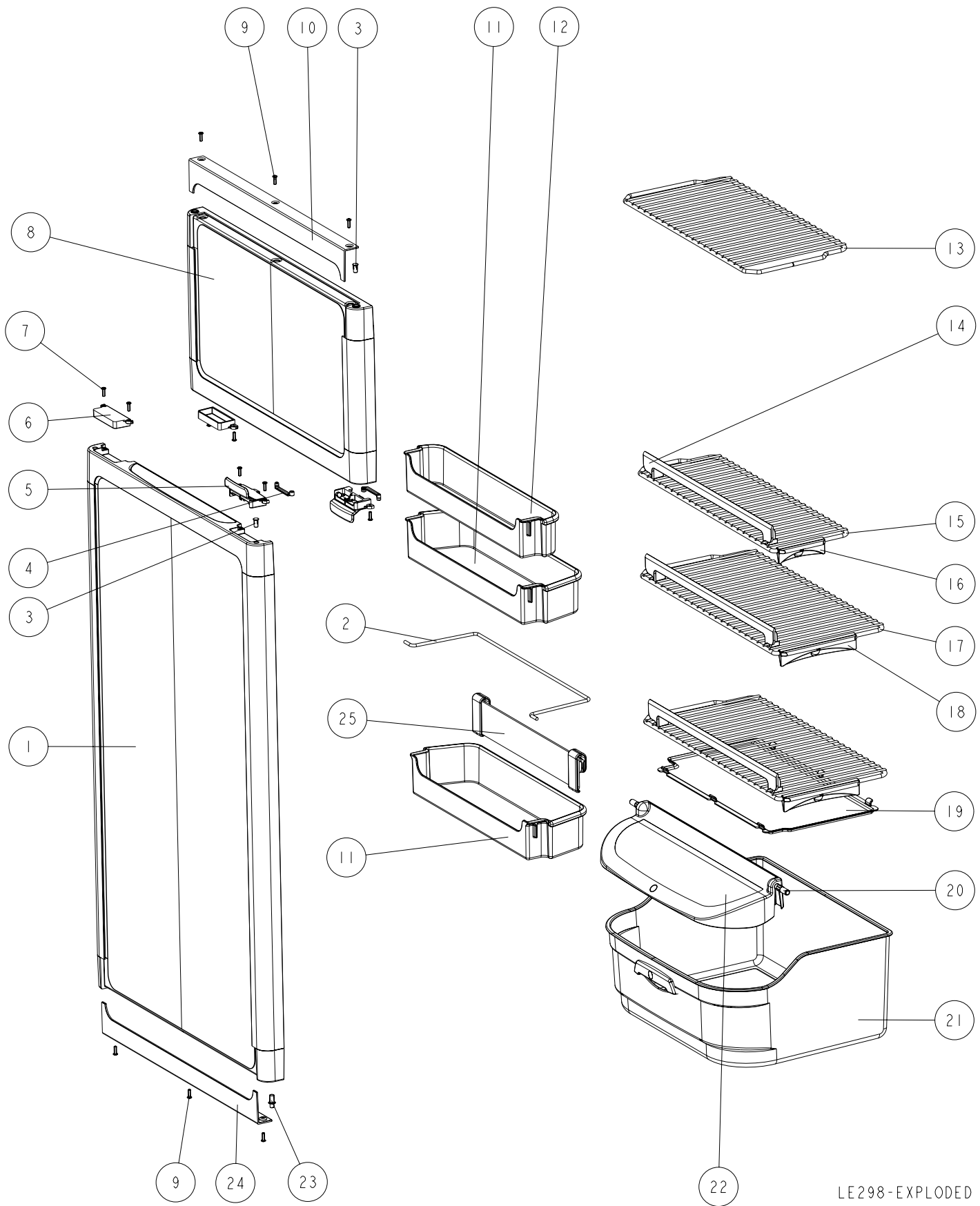
Door and cabinet interior N112 (LE-290)**Spare part number**

1.	Door curved low 525	626984-07
2.	Hinge hole plug	
3.	Pocket cover	
4.	Screw (4x)	
5.	Latch V2	626985-07
6.	Storage strap V2	626986-07
7.	Bottle retainer	
8.	Doorbin (2x)	625102-12
9.	Freezer door	623043-08
10.	Hinge freezer door (2x)	624680-08
11.	Shelf	623051-08
12.	Shelf food retainer (2x)	624457-08
13.	Clip shelf large	623625-08
14.	Shelf	626643-08
15.	Shelf tray insert	626642-12
16.	Top cover***	626641-12
17.	Vegetable bin***	623617
18.	Doorbin	623053-12
19.	Bottle retainer	623042-12
20.	Bottom latch pin*	
21.	Screw (3x)	
22.	Panel retainer	

* **Not for all models**

*** **Model change as from July 2005.**

Before this date both parts can not be replaced separately, replace both.

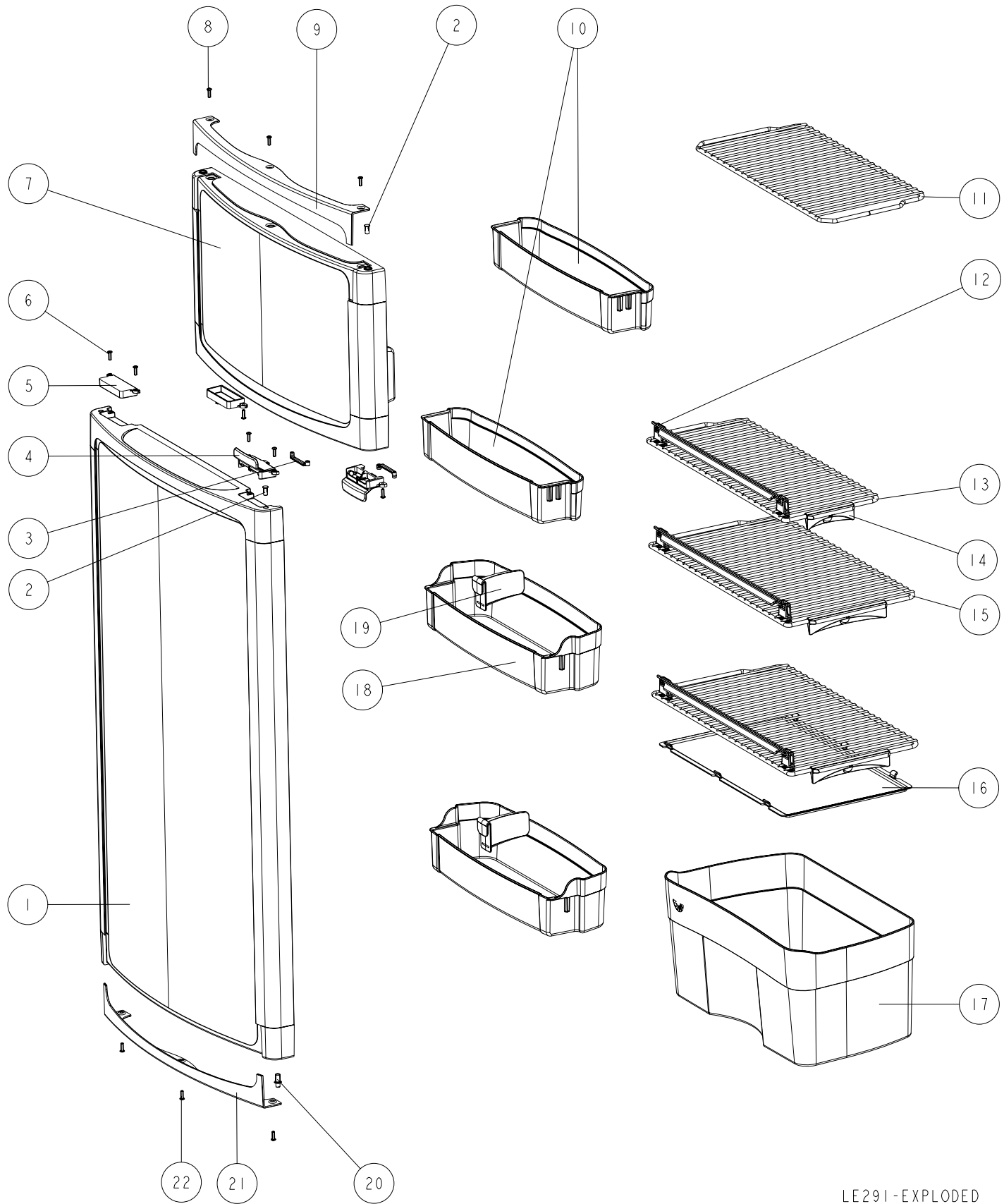


LE298-EXPLODED

Door and cabinet interior N145 (LE-298)**Spare part number**

1.	Door flat double cab.	625094-07
2.	Bottle retainer	
3.	Hinge hole plug (2x)	
4.	Storage strap V2 (2x)	626986-07
5.	Latch V2 (2x)	626985-07
6.	Pocket cover (2x)	
7.	Screw (8x)	
8.	Door flat double fr.	625095-07
9.	Screw (6x)	
10.	Panel retainer	
11.	Doorbin (2x)	624023-08 624023-12
12.	Doorbin	623040-08 623040-12
13.	Shelf	623633-08
14.	Shelf food retainer (3x)	624456-08
15.	Shelf	623044-08
16.	Clip shelf small	623626-08
17.	Shelf	623045-08
18.	Clip shelf large (2x)	623625-08
19.	Shelf tray insert	623636-12
20.	Hinge pin	
21.	Vegetable bin	623619
22.	Flip top cover	623616
23.	Bottom latch pin*	
24.	Panel retainer	

* **Not for all models**

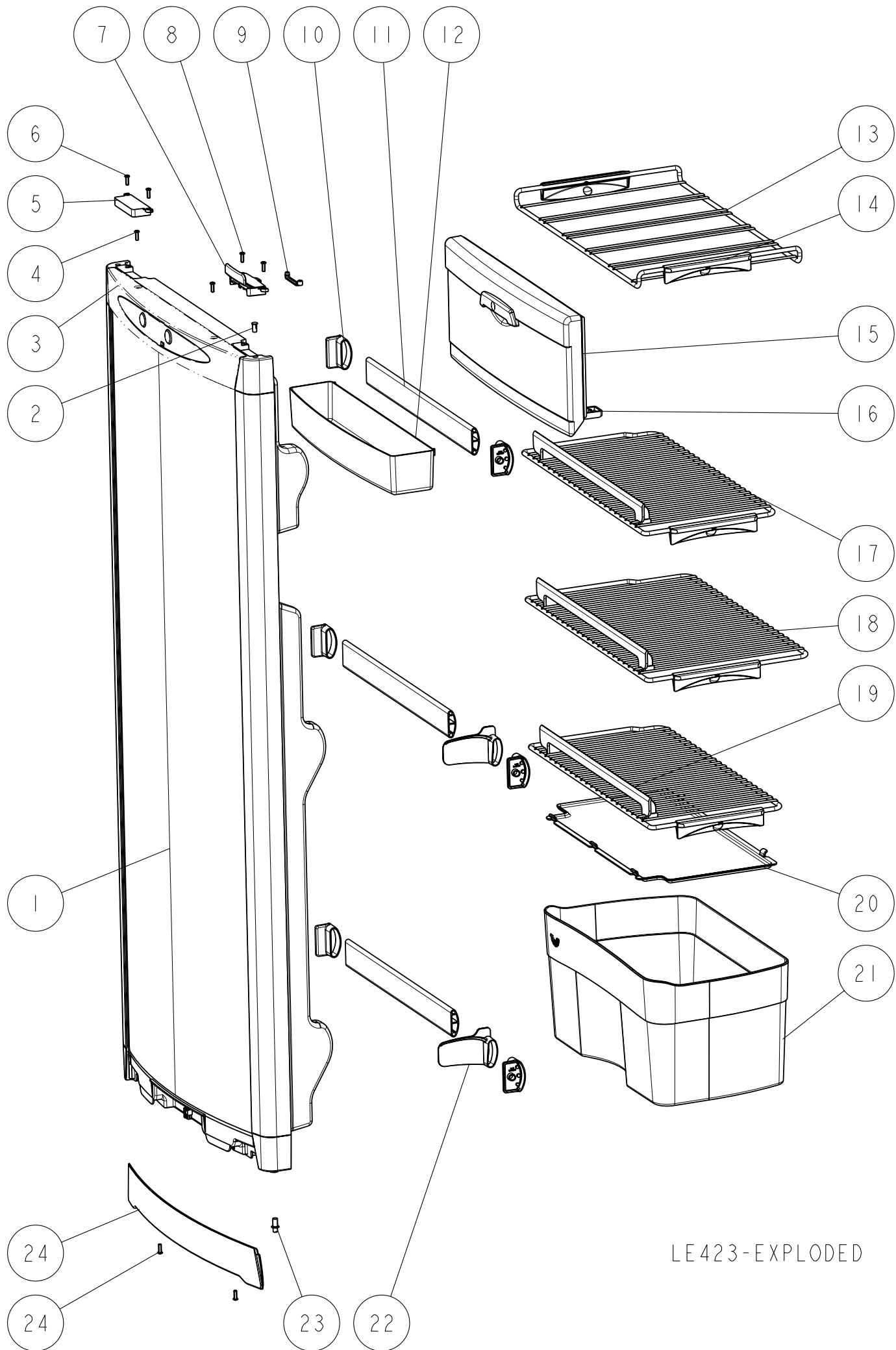


LE291-EXPLODED

Door and cabinet interior N150 (LE-291)**Spare part number**

1.	Door curved double cab.	626982-07
2.	Hinge hole plug (2x)	
3.	Storage strap V2 (2x)	626986-07
4.	Latch V2 (2x)	626985-07
5.	Pocket cover (2x)	
6.	Screw (8x)	
7.	Door curved double fr.	626983-07
8.	Screw (3x)	
9.	Panel retainer	
10.	Doorbin (2x)	626976-12
11.	Shelf	623633-08
12.	Shelf food retainer	624457-08
13.	Shelf	626978-08
14.	Clip shelf large (3x)	623625-08
15.	Shelf (2x)	626979-08
16.	Shelf tray insert	626981-12
17.	Vegetable bin	626980-12
18.	Doorbin (2x)	626977-12
19.	Bottle retainer	626989-12
20.	Bottom latch pin*	
21.	Panel retainer	
22.	Screw (3x)	

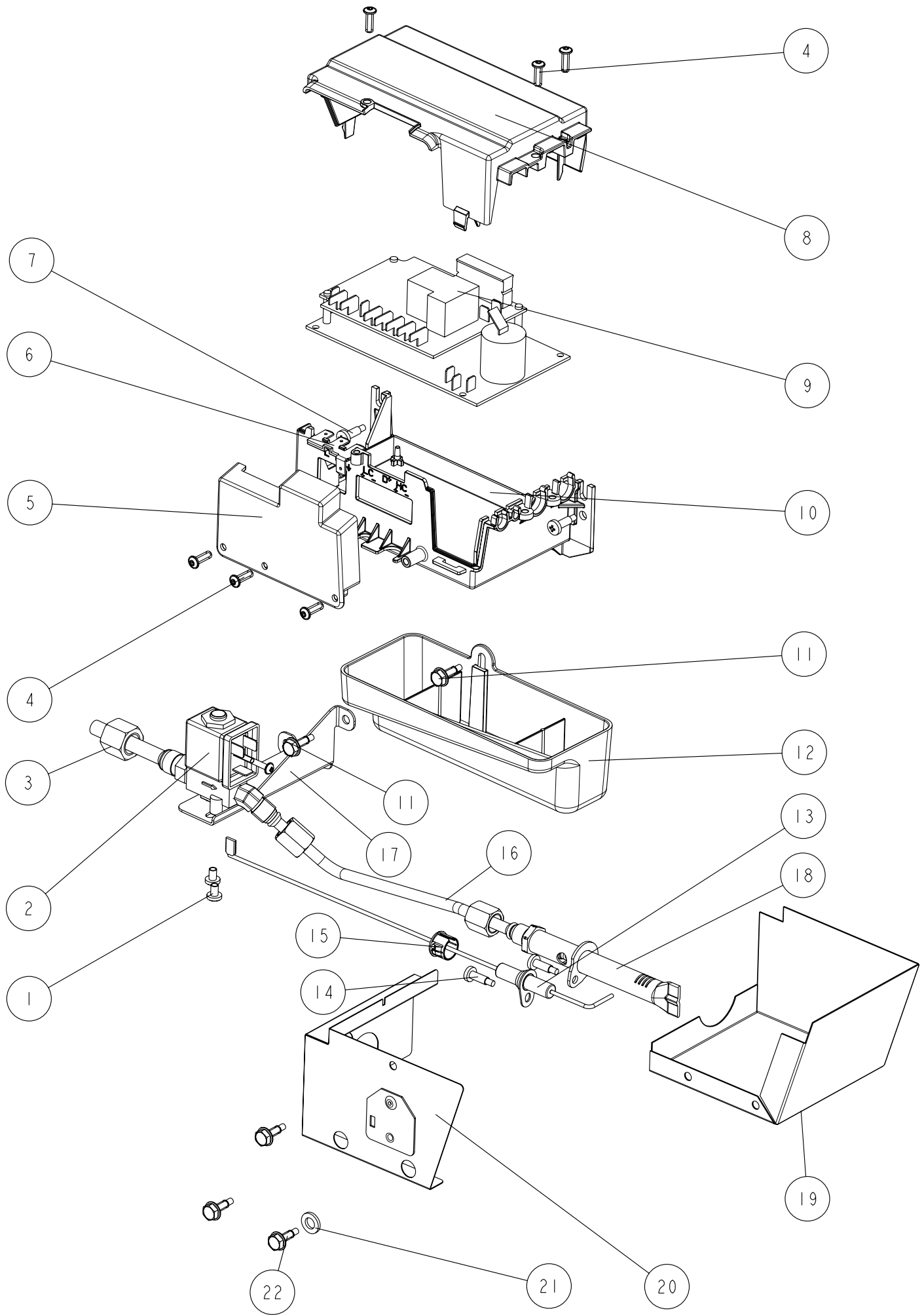
* **Not for all models**



LE423-EXPLODED

Door and cabinet interior N180 (LE-423)**Spare part number**

1.	Door curved XL IC 525	629724-07
2.	Hinge hole plug	
3.	Control panel	
4.	Screw (2x)	
5.	Pocket cover	
6.	Screw (2x)	
7.	Latch V2	
8.	Screw (2x)	
9.	Storage strap V2	626986-07
10.	Rail retainer	
11.	Door rail (3x)	
12.	Doorbin	629719
13.	Shelf bottle	629725
14.	Clip shelf large (5x)	623625-08
15.	Freezer door	623043-08
16.	Hinge freezer door (2x)	624680-08
17.	Shelf (2x)	629726
18.	Shelf	629727
19.	Shelf food retainer (3x)	624456-08
20.	Shelf tray insert	626981-12
21.	Vegetable bin	626980-12
22.	Bottle retainer	626989-12
23.	Bottom latch pin	
24.	Screw (2x)	
25.	Panel retainer	

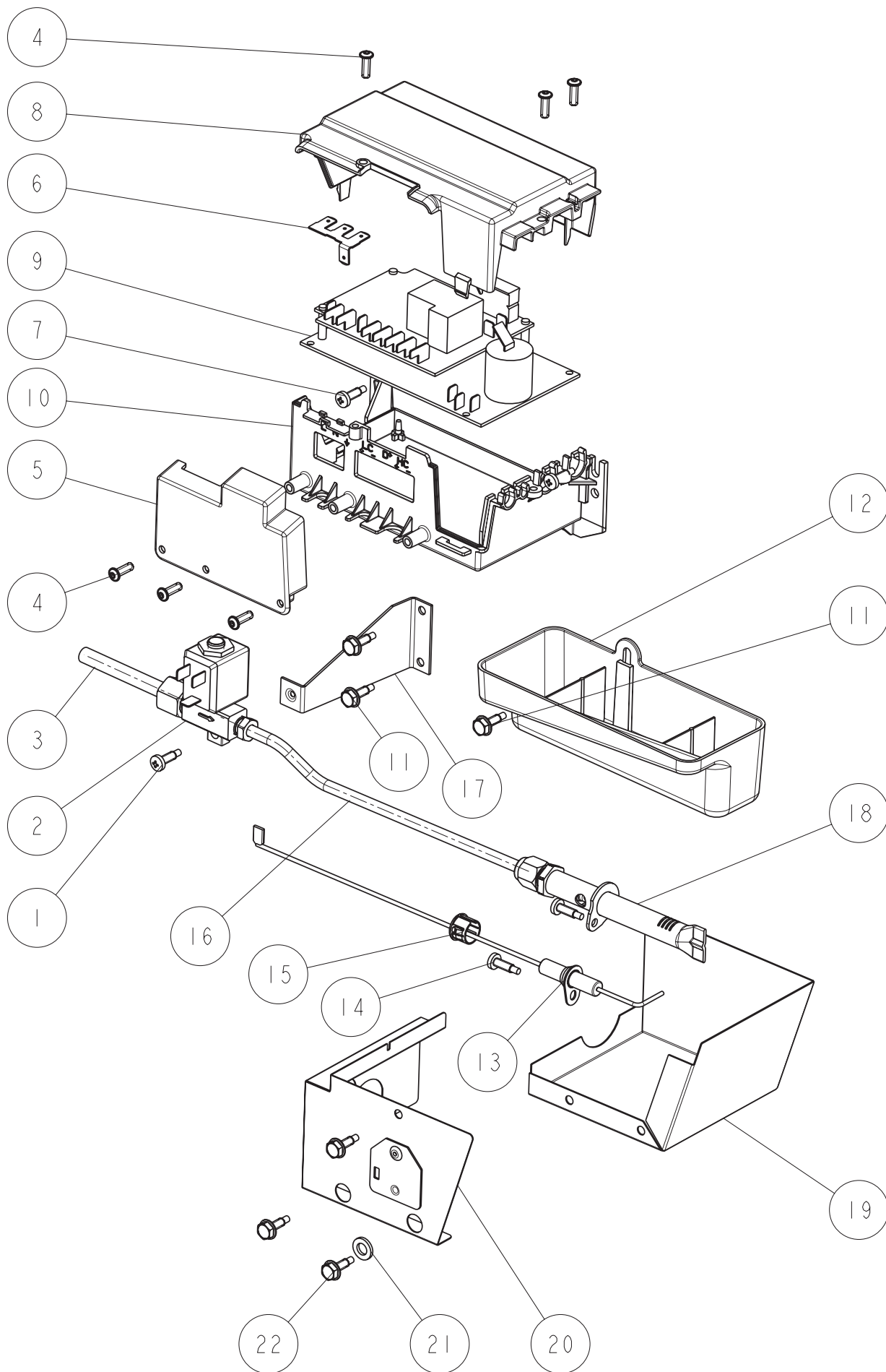


LE236_EXPLODED

Power board and gas assembly N90-N97-N109-N112 (LE-236)**Spare part number**

1.	Screw (2x)	
2.	Gas valve automatic V3 needs to be convert to Gas valve automatic V5	Not available 631249**
3.	Gas inlet tube	
4.	Screw (6x)	
5.	Strain relief cover	
6.	Earth connection	
7.	Screw (2x)	
8.	Power board cover	
	<i>Smart Energy Selection Models</i>	
9.	Power board A V3	626970
	<i>Electric Energy Selection Models</i>	
9.	Power board E V3	626971
10.	Power board base	
11.	Screw (3x)	
12.	Drip cup	
13.	Spark electrode	626988
14.	Screw (2x)	
15.	Bushing	
16.	Gastube	
17.	Mounting bracket gas valve	
18.	Burner	623019
19.	Burner box base	
20.	Burner box cover	
21.	Washer	
22.	Screw (3x)	

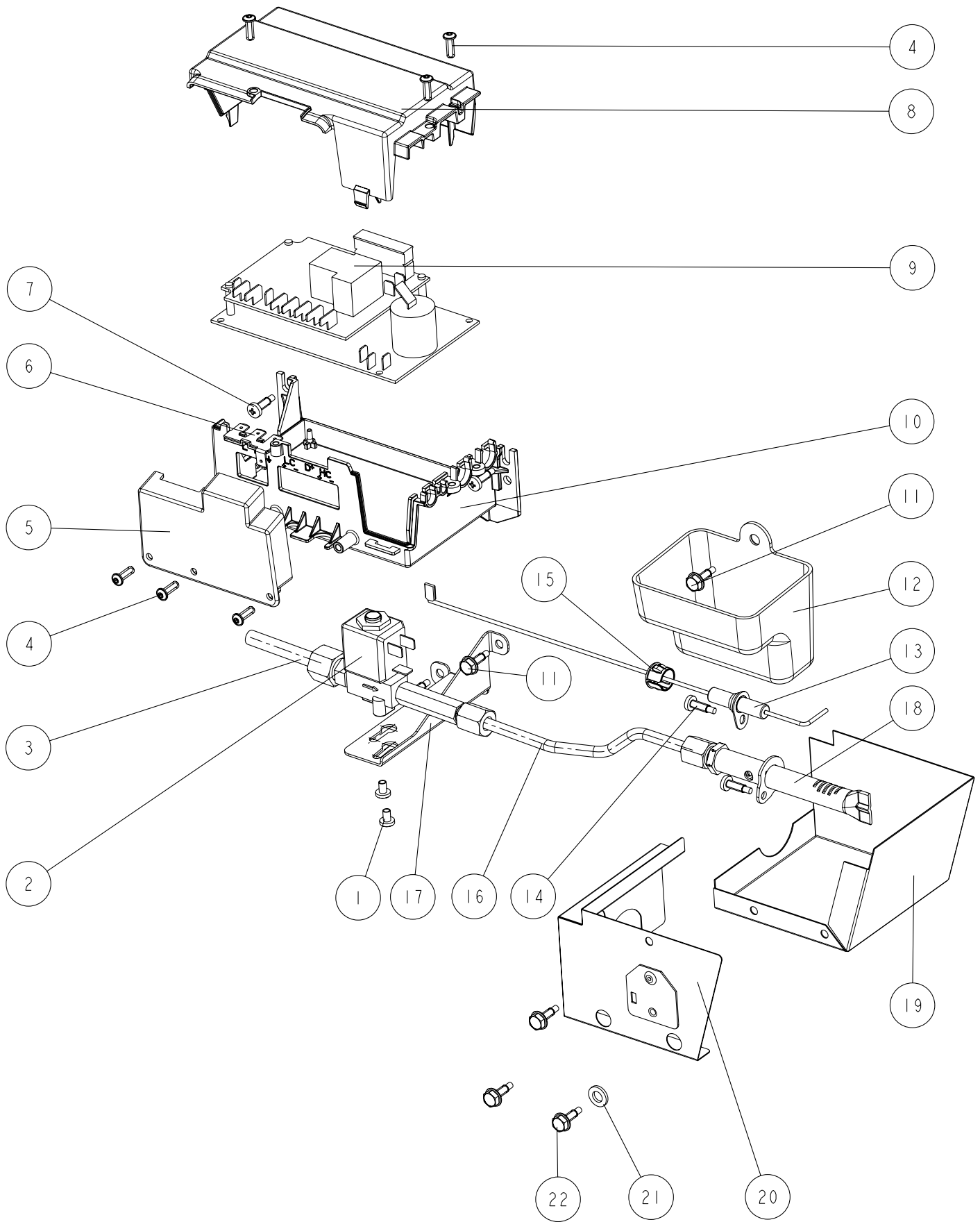
** When V3 has to be convert into V5, the gas inlet tube is also needed. Part number is depending on the model and can be found on the part itself.



LE440_EXPLODED

Power board and gas assembly N90-N97-N109-N112 (LE-440)**Spare part number**

1.	Screw (1x)	
2.	Gas valve automatic V5	630440
3.	Gas inlet tube	
4.	Screw (6x)	
5.	Strain relief cover	
6.	Earth connection	
7.	Screw (2x)	
8.	Power board cover	
<i>Smart Energy Selection Models</i>		
9.	Power board A V3	626970
<i>Electric Energy Selection Models</i>		
9.	Power board E V3	626971
10.	Power board base	
11.	Screw (3x)	
12.	Drip cup	
13.	Spark electrode	626988
14.	Screw (2x)	
15.	Bushing	
16.	Gastube	
17.	Mounting bracket gas valve	
18.	Burner	623019
19.	Burner box base	
20.	Burner box cover	
21.	Washer	
22.	Screw (3x)	

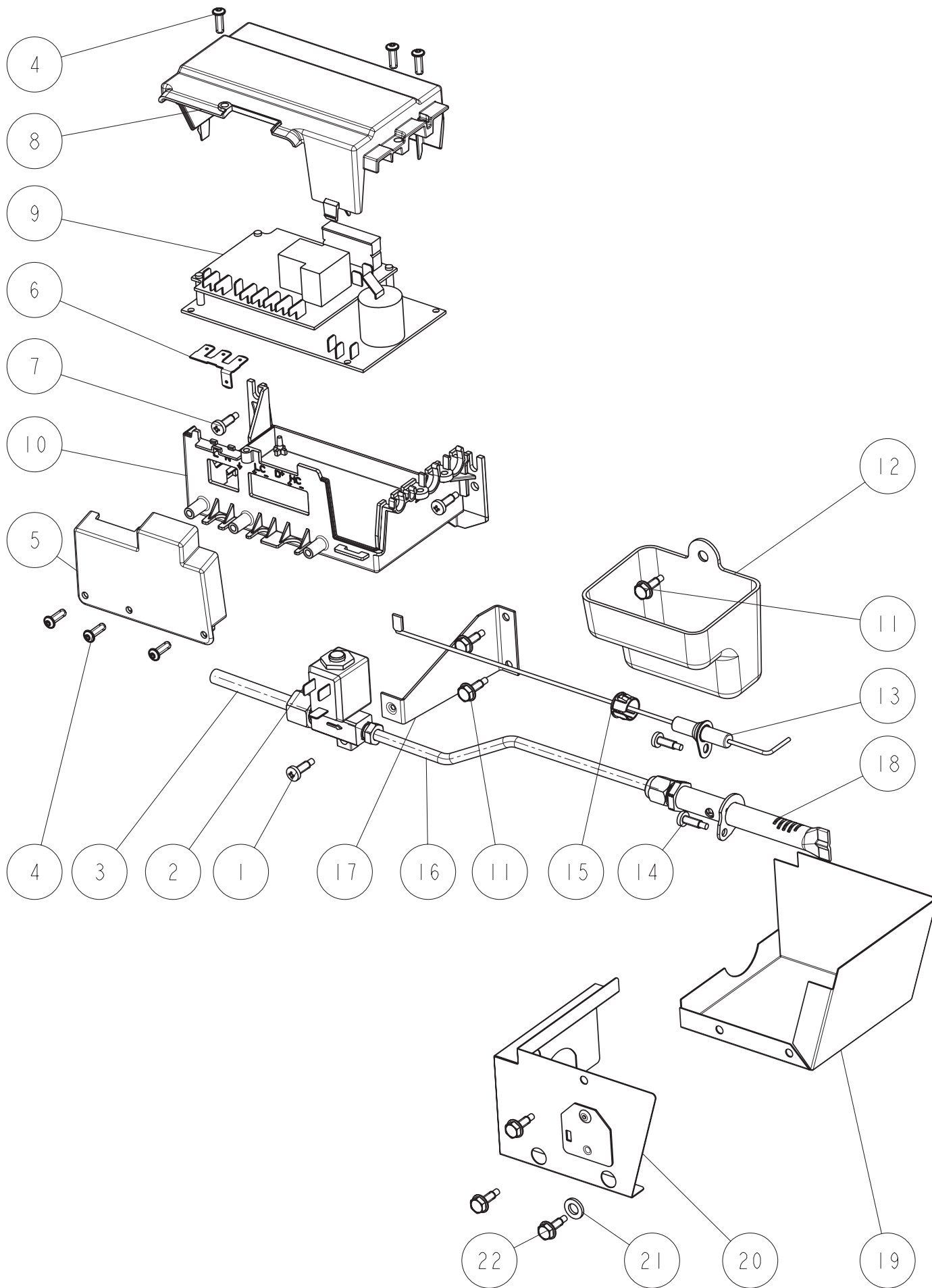


LE-233-EXPLODED

Power board and gas assembly N100-N104 (LE-233)**Spare part number**

1.	Screw (2x)	
2.	Gas valve automatic V4 needs to be convert to Gas valve automatic V5	Not available 631248**
3.	Gas inlet tube	
4.	Screw (6x)	
5.	Strain relief cover	
6.	Earth connection	
7.	Screw (2x)	
8.	Power board cover	
<i>Smart Energy Selection Models</i>		
9.	Power board A V3	626970
<i>Electric Energy Selection Models</i>		
9.	Power board E V3	626971
10.	Power board base	
11.	Screw (3x)	
12.	Drip cup	
13.	Spark electrode	626987
14.	Screw (2x)	
15.	Bushing	
16.	Gastube	
17.	Mounting bracket gas valve	
18.	Burner	623019
19.	Burner box base	
20.	Burner box cover	
21.	Washer	
22.	Screw (3x)	

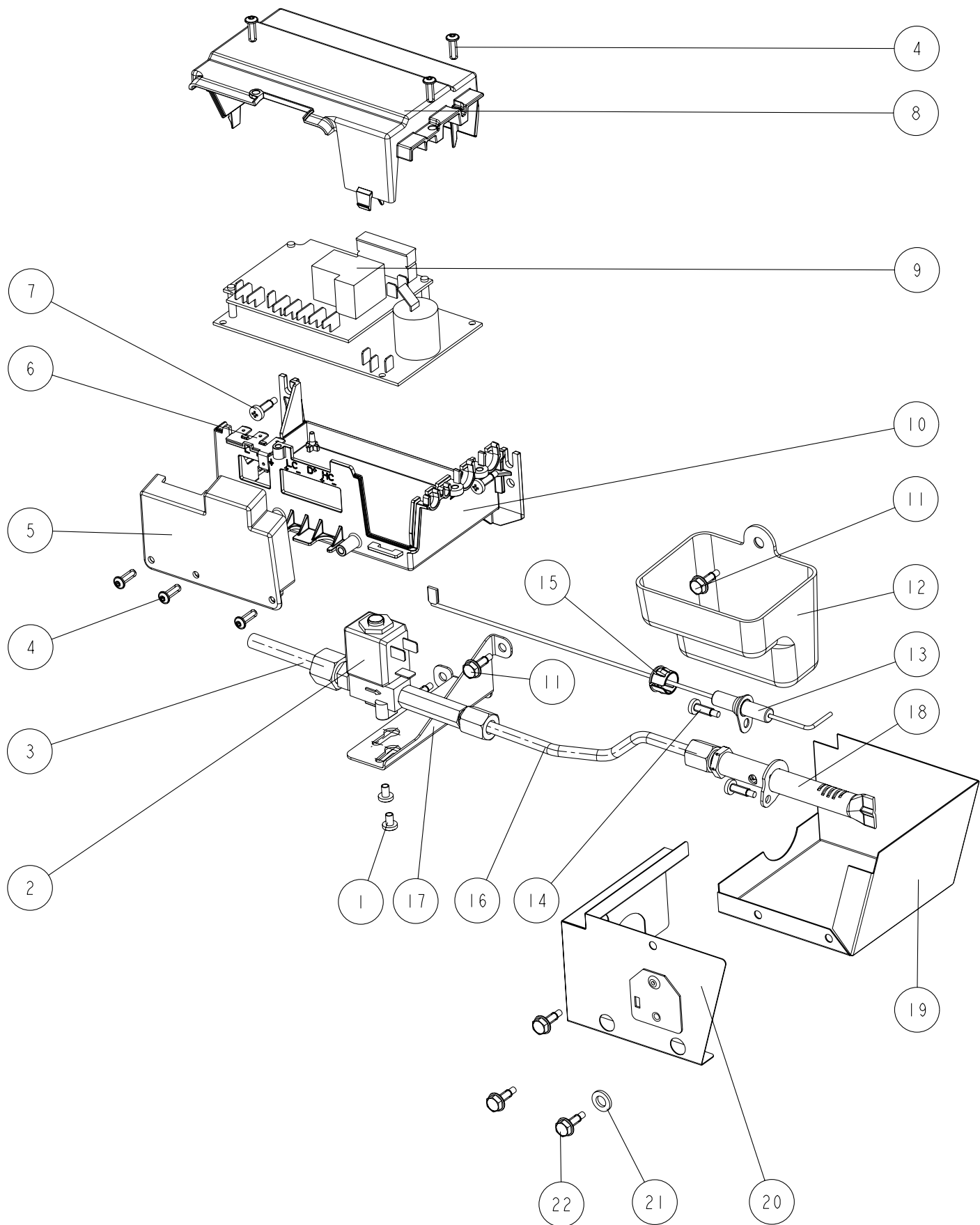
** When V4 has to be convert into V5, the gas inlet tube is also needed. Part number is depending on the model and can be found on the part itself.



LE-439 EXPLODED

Power board and gas assembly N100-N104 (LE-439)**Spare part number**

1.	Screw (2x)	
2.	Gas valve automatic V5	630440
3.	Gas inlet tube	
4.	Screw (6x)	
5.	Strain relief cover	
6.	Earth connection	
7.	Screw (2x)	
8.	Power board cover	
<hr/>		
	<i>Smart Energy Selection Models</i>	
9.	Power board A V3	626970
<hr/>		
	<i>Electric Energy Selection Models</i>	
9.	Power board E V3	626971
<hr/>		
10.	Power board base	
11.	Screw (3x)	
12.	Drip cup	
<hr/>		
13.	Spark electrode	626987
<hr/>		
14.	Screw (2x)	
15.	Bushing	
16.	Gastube	
17.	Mounting bracket gas valve	
<hr/>		
18.	Burner	623019
<hr/>		
19.	Burner box base	
20.	Burner box cover	
21.	Washer	
22.	Screw (3x)	
<hr/>		

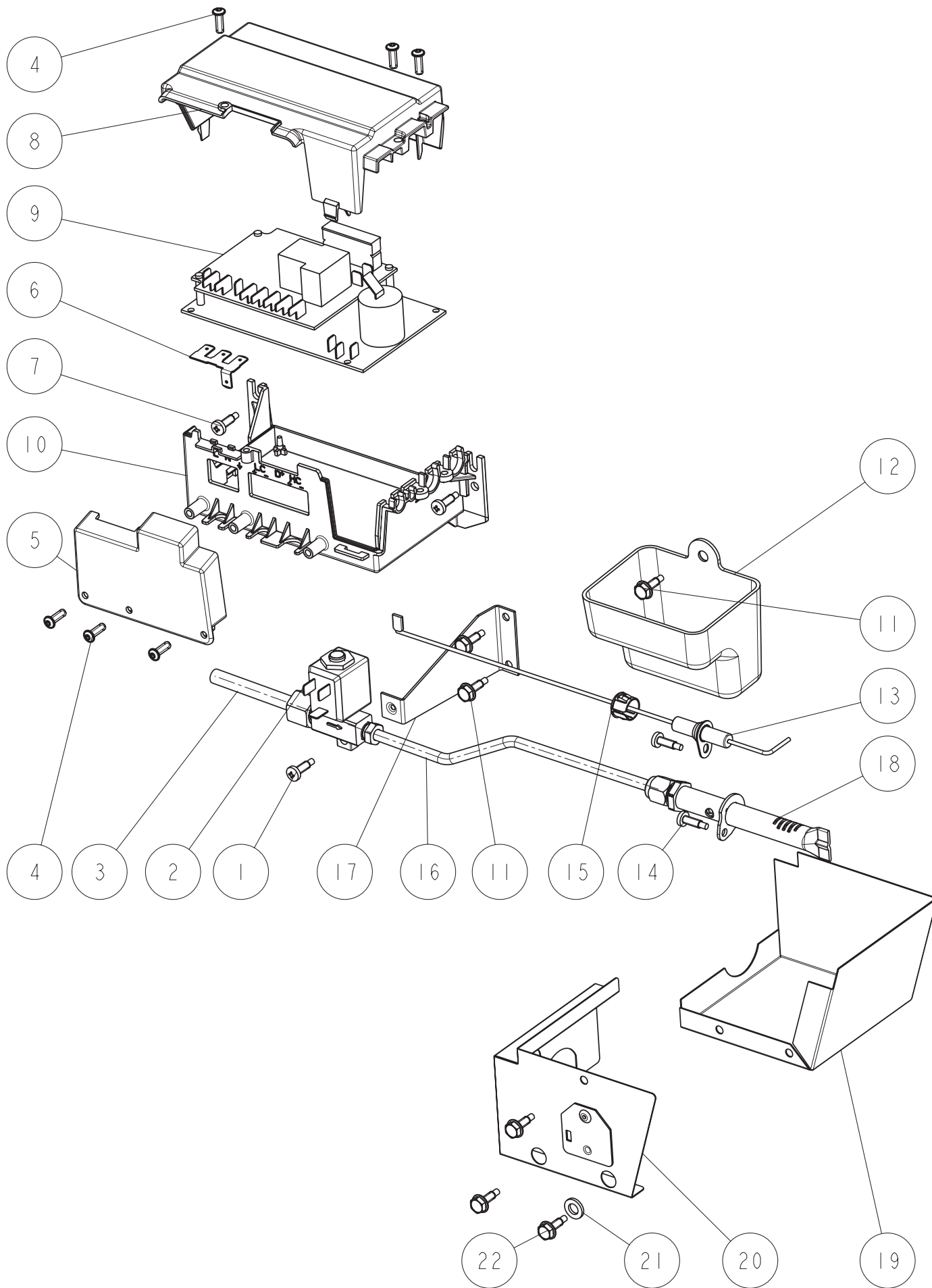


LE-233-EXPLODED

Power board and gas assembly N145-N150-N180 (LE-233)**Spare part number**

1.	Screw (2x)	
2.	Gas valve automatic V4 needs to be convert to Gas valve automatic V5	Not available 631248**
3.	Gas inlet tube	
4.	Screw (6x)	
5.	Strain relief cover	
6.	Earth connection	
7.	Screw (2x)	
8.	Power board cover	
<i>Smart Energy Selection Models</i>		
9.	Power board A V3	626970
<i>Electric Energy Selection Models</i>		
9.	Power board E V3	626971
10.	Power board base	
11.	Screw (3x)	
12.	Drip cup	
13.	Spark electrode	626987
14.	Screw (2x)	
15.	Bushing	
16.	Gastube	
17.	Mounting bracket gas valve	
18.	Burner	623058
19.	Burner box base	
20.	Burner box cover	
21.	Washer	
22.	Screw (3x)	

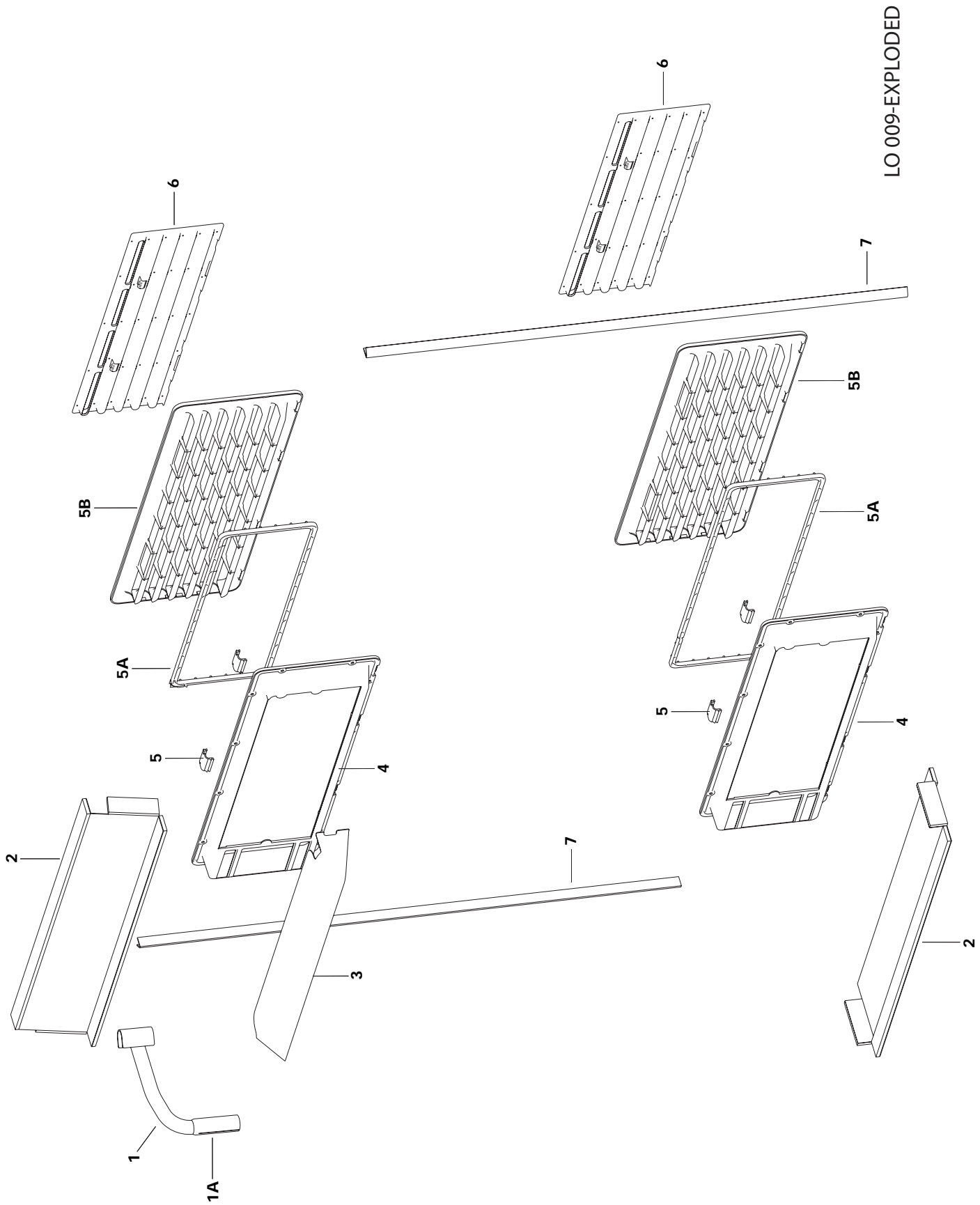
** When V4 has to be convert into V5, the gas inlet tube is also needed. Part number is depending on the model and can be found on the part itself.



LE-439 EXPLODED

Power board and gas assembly N145-N150-N180 (LE-439)**Spare part number**

1.	Screw (2x)	
2.	Gas valve automatic V5	630440
3.	Gas inlet tube	
4.	Screw (6x)	
5.	Strain relief cover	
6.	Earth connection	
7.	Screw (2x)	
8.	Power board cover	
<i>Smart Energy Selection Models</i>		
9.	Power board A V3	626970
<i>Electric Energy Selection Models</i>		
9.	Power board E V3	626971
10.	Power board base	
11.	Screw (3x)	
12.	Drip cup	
13.	Spark electrode	626987
14.	Screw (2x)	
15.	Bushing	
16.	Gastube	
17.	Mounting bracket gas valve	
18.	Burner	623058
19.	Burner box base	
20.	Burner box cover	
21.	Washer	
22.	Screw (3x)	



LO 009-EXPLODED

Seals - Vents - Exhaust for all models (LO-009)**Spare part number**

1.	Flue exhaust short	627008
	Flue exhaust long	624480
1a.	Clamp	
2.	Combustion flap 486	624021
	Combustion flap 525	624020
3.	Vent cap	625096
4.	Vent frame	624454-25/57/80/84
5.	Vent lock clip	628449
5a.	Vent screen	
5b.	Vent outer	
6.	Vent cover	624455-15/22/25/57/80/84
7.	Cabinet side seal 605	624478
	Cabinet side seal 821	624477
	Cabinet side seal 1245	624476

Colourindex

Note: Some spare part no.s contain a colour code. These are shown as the last 2 digits following a hyphen

		Code
06	Grey	RAL 7015
07	Light grey	RAL 7042
08	White	MP 1013 MP FR85 R7
12	Blue	RAL 5012
13	Chrome	Not available
14	Nickel	Not available
15	Light Grey	Not available
22	White cream	Not available
25	Grey	7000
27	Black	4500
30	Mocca	S 2005-YUOR
57	Cream white	RAL 9001
80	White	BASF 31573
84	White grey	Fiat Bianca 210
90	Antracite grey	RAL 7016

WWW.THETFORD-EUROPE.COM / E-MAIL: INFO@THETFORD.NL

Thetford B.V.
Nijverheidsweg 29
4870 AD Etten-Leur
Nederland
Tel.: +31 (0)76-5042200
Fax: +31 (0)76-5042300

Thetford GmbH
Schallbruch 14
D-42781 Haan
Deutschland
Tel.: +49 (0)2129-94250
Fax: +49 (0)2129-942525

Thetford Ltd. / Spinfo Ltd.
Unit 19
Parkwood Industrial Estate
Oakham Drive
Sheffield, South Yorkshire
S3 9QX, England
Tel.: +44 (0)114-2738157
Fax: +44 (0)114-2753094

Thetford S.A.R.L.
Boîte Postale 204
95614 Cergy Pontoise Cedex
France
Tel.: +33 (0)1-30375823
Fax: +33 (0)1-30379767

Thetford B.V.
Repres. Office Scan.
Brodalsvägen 7
S-433 38 Partille
Sverige
Tel.: +46 (0)31-3363580
Fax: +46 (0)31-448570

Tecma srl-Thetford Italy
Via Flaminia
Loc. Castel delle Formiche
05030 Otricoli (TR)
Italy
Tel.: +39 (0)744-709071
Fax: +39 (0)744-719833

Mercè Grau-Sola
Agente para España y
Portugal
C/Llibertat, 103-105 Bajos
08800 Vilanova I la Geltru
Barcelona
España
Tel.: +34 (9)3815-4389
Fax: +34 (9)3815-6106

Thetford Australia Pty Ltd.
Unit 3, 7 Adrian Road
Campbellfield
Victoria 3061
Australia
Tel.: +61 (0)393580700
Fax: +61 (0)393577060

Copyright© 2005 Thetford B.V. All rights reserved.
Changes, printing, setting and translation mistakes excepted.
Date: august 2007

627019/0807