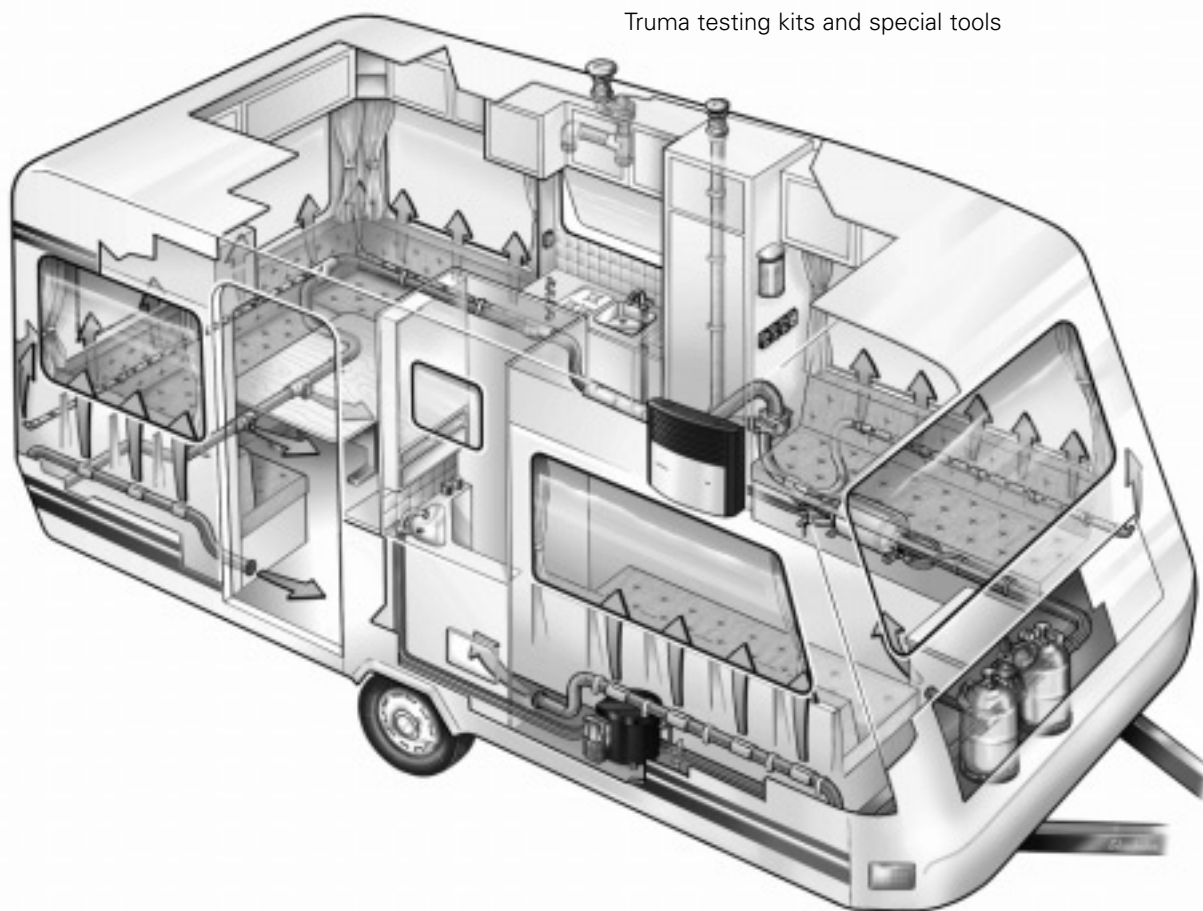


Recommended Retail Price List
and Technical Specifications
valid from **01 July 1999**

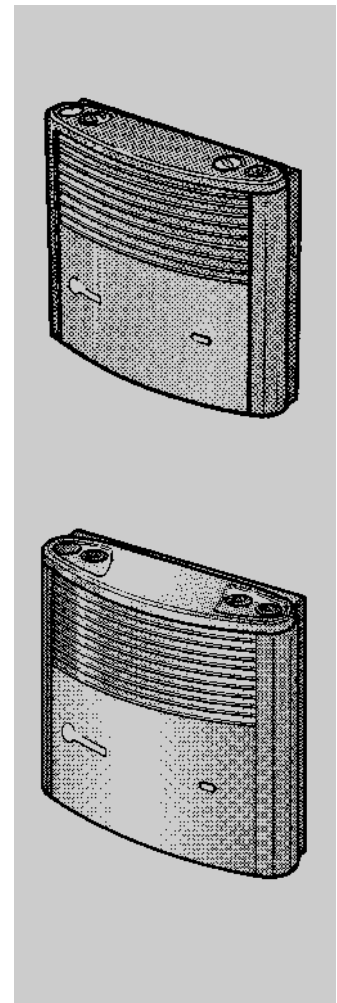
Complete Space and Water heater units	page 2 and 3
Trumatic S Space Heater series	page 4
Truma Ultraheat Electric Space Heater	page 9
Trumavent fans	page 9
Trumatic E Space Heater series	page 11
Truma Combi Space / Water Heater series	page 15
Truma Blown Air Central Heating	page 16
Truma Ultrastore Water Heater	page 18
Truma Therme Water Heater	page 19
Truma Nova Gas Lights	page 19
Truma accessories for gas supply	page 20
Truma testing kits and special tools	page 23



Part No. £ Ex. VAT Product information
 £ Inc. VAT

S3002U	447.19 525.45	Trumatic S 3002 Auto Ultra 3.40 kW gas and 2 kW electric heater with auto ignitor, integral fan, thermostat, front case (sepia brown) and roof flue kit
S3002A	337.19 396.20	Trumatic S 3002 Auto 3.40 kW gas heater with auto ignitor, integral fan, thermostat, front case (sepia brown) and roof flue kit
S3002PU	434.27 510.27	Trumatic S 3002 Piezo Ultra 3.40 kW gas and 2 kW electric heater with piezo ignitor, integral fan, thermostat, front case (sepia brown) and roof flue kit
S3002P	324.27 381.02	Trumatic S 3002 Piezo 3.40 kW gas heater with piezo ignitor, integral fan, thermostat, front case (sepia brown) and roof flue kit
S55TU	606.18 712.26	Truma S 55 T Auto Ultra 5 kW gas and 2 kW electric heater with auto ignitor, integral fan, thermostat, front case (sepia brown) and roof flue kit
S55T	496.18 583.01	Truma S 55 T Auto 5 kW gas heater with auto ignitor, integral fan, thermostat, front case (sepia brown) and roof flue kit
S5002U	608.44 714.92	Trumatic S 5002 Auto Ultra 5.50 kW gas and 2 kW electric heater with auto ignitor, integral fan, thermostat, front case (sepia brown) and roof flue kit
S5002A	498.44 585.67	Trumatic S 5002 Auto 5.50 kW gas heater with auto ignitor, integral fan, thermostat, front case (sepia brown) and roof flue kit

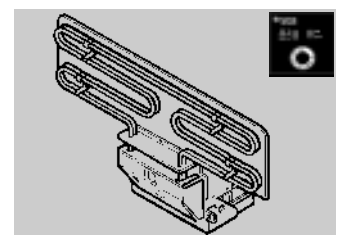
NEW !



Other front case colours available on request
For more detailed information of the Truma S series please refer to pages 4 to 8

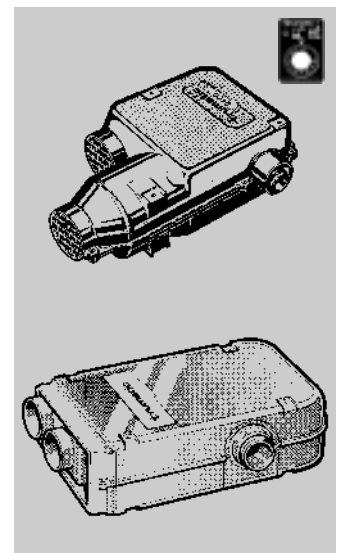
30401-01	110.00 129.25	Truma Ultraheat additional electric heater with beige wall switch
----------	-------------------------	--

NEW !



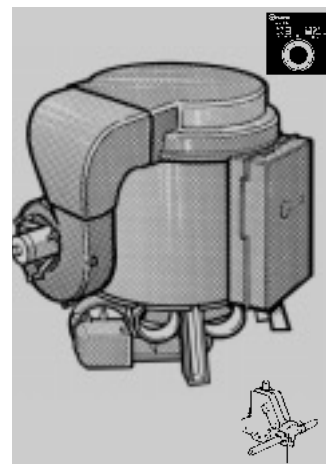
For more detailed information of the Truma Ultraheat please refer to page 9

E2400WFK	487.98 573.38	Trumatic E 2400 12 V, 2.4 kW gas heater with wall flue installation kit and black wall switch
E2400FFK	466.02 547.57	Trumatic E 2400 12 V, 2.4 kW gas heater with floor flue installation kit and black wall switch
E2800WFK	652.32 766.48	Trumatic E 2800 12 V, 2.8 kW gas heater with wall flue installation kit and black wall switch
E2800FFK	629.98 740.23	Trumatic E 2800 12 V, 2.8 kW gas heater with floor flue installation kit and black wall switch
E4000WFK	774.68 910.25	Trumatic E 4000 12 V, 3.7 kW gas heater with wall flue installation kit and black wall switch
E4000FFK	752.34 884.00	Trumatic E 4000 12 V, 3.7 kW gas heater with floor flue installation kit and black wall switch



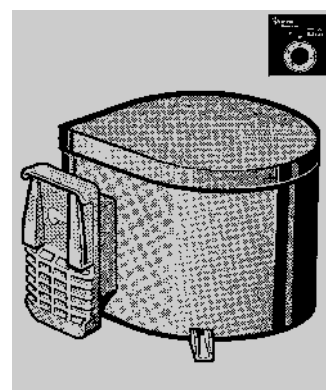
For more detailed information of the Trumatic E series please refer to pages 11 to 14

Part No.	£ Ex. VAT £ Inc. VAT	Product information
C3402EWF	903.79 1061.95	Truma Combi 3402 12 V, 3.4 kW gas space heater with integral 12 litre, 2 kW gas / 450 W electric water heater, wall flue installation kit and beige wall switch
C6002EWF	1021.73 1200.53	Truma Combi 6002 12 V, 6 kW gas space heater with integral 12 litre, 2 kW gas / 450 W electric water heater, wall flue installation kit and beige wall switch



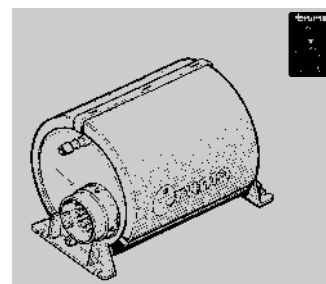
For more detailed information of the Truma Combi series please refer to page 15

Part No.	£ Ex. VAT £ Inc. VAT	Product information
71552-11	342.75 402.73	Truma Ultrastore 10 litre, 1.2 kW gas / 450 W electric water heater with wall flue and beige wall switch
71512-02	337.71 396.81	Truma Ultrastore 10 litre, 1.2 kW gas water heater with wall flue and black wall switch



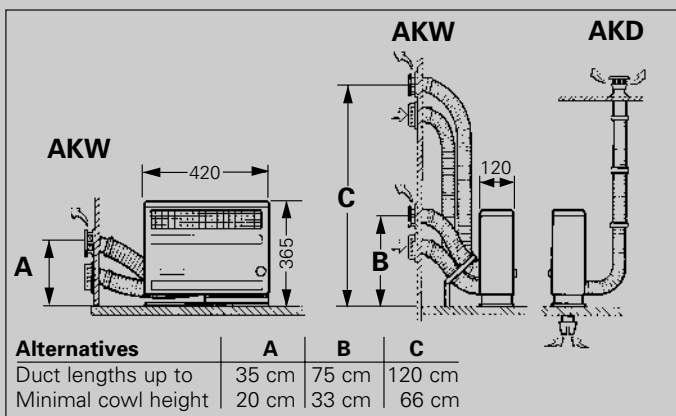
For more detailed information of the Truma Ultrastore please refer to page 18

42011-01	97.79 114.90	Truma Therme 5 litre, 300 W electric water heater
----------	------------------------	--



For more detailed information of the Truma Therme please refer to page 19

**Trumatic S 2200
 S 2200 P**



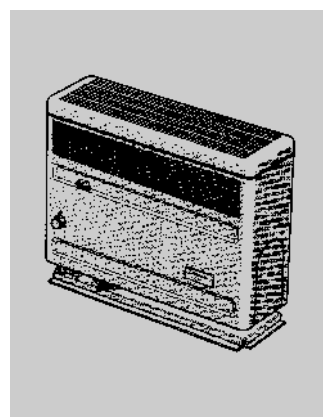
Product Ident. Number:
 CE-0085AP0324
Rated thermal output:
 1850 W
Gas consumption:
 50 - 170 g/h
Weight: 6,7 kg

In Germany the Trumatic S 2200 is only approved for caravans.



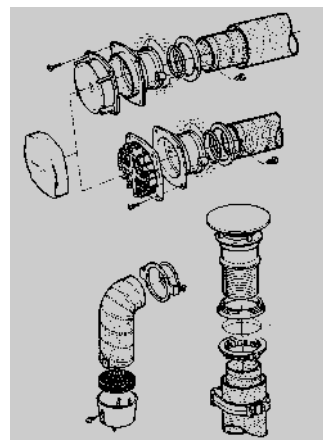
All Trumatic heaters are available with an operating pressure of **50 mbar** on request.

- | | | |
|----------|-------------------------|--|
| 31110-01 | 196.67
231.09 | Trumatic S 2200, 30 mbar , with automatic ignitor, exhaust-connection left (without flue kit) |
| 31110-02 | 196.67
231.09 | Trumatic S 2200, 30 mbar , with automatic ignitor, exhaust-connection right (without flue kit) |
| 31130-01 | 180.29
211.84 | Trumatic S 2200 P, 30 mbar , with piezo ignitor, exhaust-connection left (without flue kit) |
| 31130-02 | 180.29
211.84 | Trumatic S 2200 P, 30 mbar , with piezo ignitor, exhaust-connection right (without flue kit) |



Flue kits Trumatic S 2200

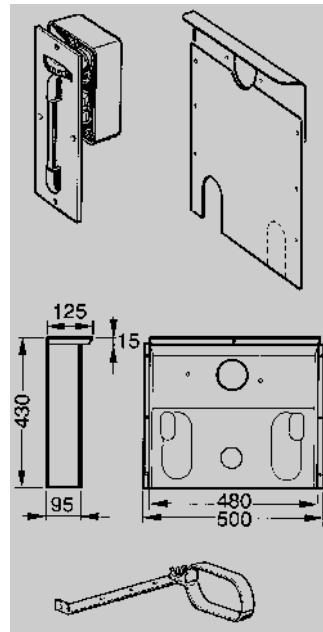
- | | | |
|----------|-----------------------|--|
| 30320-01 | 42.12
49.49 | Wall flue kit short , alternatives A + B (c/w 1 m exhaust duct AE 3, 0.5 m insulating duct ÜR and 2 flue covers) |
| 30320-02 | 50.33
59.14 | Wall flue kit long , alternative C (c/w 1.5 m exhaust duct AE 3, 0.75 m insulating duct ÜR, 1 double duct support DSW and 2 flue covers) |
| 30320-03 | 44.30
52.05 | Roof flue kit (c/w 1 roof flue AK 3, 2.5 m exhaust duct AE 3, 2 m insulating duct, 3 clips ÜS and air intake fitting) |



Flue parts, flue tops for motor caravans and flue accessories for Caravans see page 8.

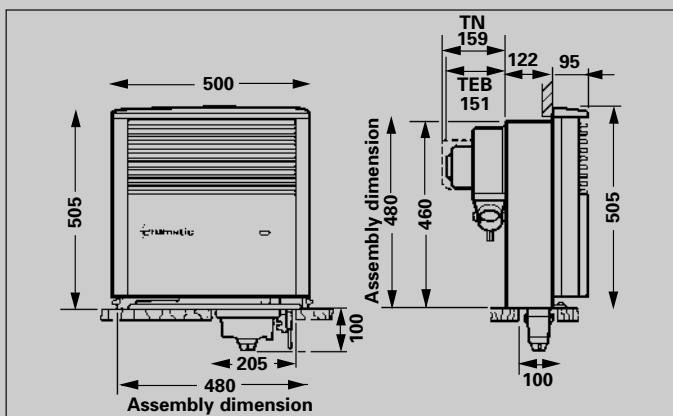
Installation accessories Trumatic S 2200

- | | | |
|----------|-----------------------|---|
| 30230-02 | 30.71
36.08 | Thermostat Th 33 (for Trumatic S 2200, 30 mbar) fitting in the gas supply line |
| 30230-01 | 30.71
36.08 | Thermostat Th 35 (for Trumatic S 2200, 50 mbar) fitting in the gas supply line |
| 30190-01 | 24.71
29.03 | Rear panel RWSL with heat deflector for S 2200 with exhaust connection left (for free standing installation) |
| 30190-00 | 24.71
29.03 | Rear panel RWS with heat deflector for S 2200 with exhaust connection right (for free standing installation) |
| 30171-01 | 59.77
70.23 | Installation box EKM for S 2200, exhaust connection right and left (for integrated fitting into a wardrobe) |
| 30280-00 | 3.10
3.64 | Double duct support DSW for side wall flue ducts; necessary for duct lengths 75 and 120 cm (included in the wall flue kit long) |



For warm air distribution all Trumavent fans (fitting direct to the installation box) or the Multivent fan can be used (see page 10).

Trumatic S 3002
S 3002 P
S 3002 K



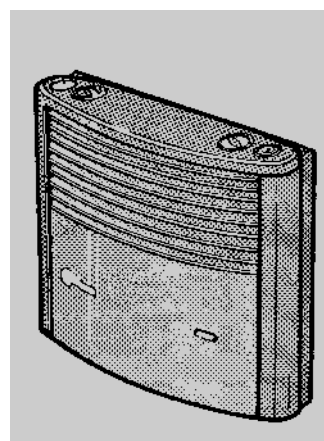
In Germany the Trumatic S 3002 and S 3002 P are only approved for Caravans.

Product Ident. Number:
CE-0085AP0325
Rated thermal output:
3400 W
Gas consumption:
30 - 280 g/h
Weight:
9,8 kg (S 3002 + S 3002 P)
11,5 kg (S 3002 K incl. fan TEB)
Test symbol:
S 3002 K:



Important: The front case is to be ordered separately!
Operation is only authorised with original Truma-front case!
All Trumatic heaters are available with an operating pressure of **50 mbar** on request.

31311-01	169.54 199.21	Trumatic S 3002, 30 mbar , c/w automatic ignitor, thermostat and installation box (without front case)
31291-01	156.62 184.03	Trumatic S 3002 P, 30 mbar , c/w piezo ignitor, thermostat and installation box (without front case)
31351-01	211.44 248.44	Trumatic S 3002 K, 30 mbar, (only for motor vehicles in Germany) c/w automatic ignitor 12 V, thermostat and installation box (without front case) 1 Trumavent fan TEB 12 V (41121-01 or 41121-02) is necessary! (please order extra!)
30040-50100	39.89 46.87	Front case sepia brown
30040-50200	39.89 46.87	Front case agate grey



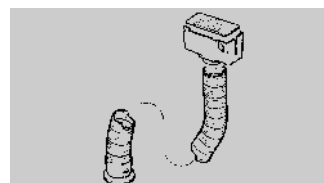
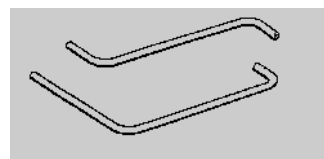
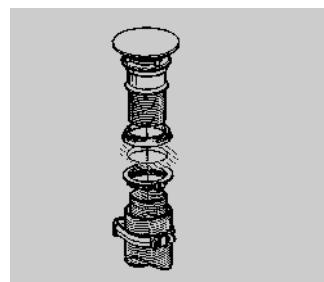
Roof flue kit Trumatic S 3002

30330-00	36.67 43.09	Roof flue kit (c/w 1 roof flue AK 3 Ø 60 mm, 2.5 m exhaust duct, 2 m insulating duct and 3 clips)
----------	-----------------------	---

Flue parts, flue tops for motor caravans and flue accessories for Caravans see page 8.

Installation accessories Trumatic S 3002

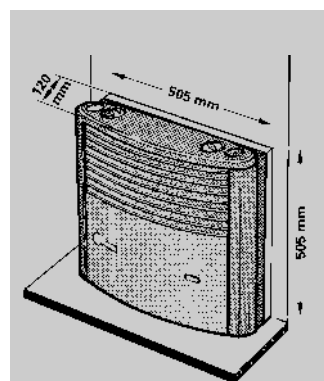
30030-85500	2.90 3.41	Gas line interior connection for Trumatic S 3002 (right fitting)
30030-85600	2.90 3.41	Gas line interior connection for Trumatic S 3002 (left fitting)
30030-04800	21.29 25.02	Air intake extension Cpl. with 50 cm flue duct, perforated plate and extension spring (for difficult fitting situations or vehicles with double-floor)
30010-29200	34.25 40.24	Auto ignition kit for Trumatic S 3002 P after 07/81 (not illustrated)



Modern front design for older Truma heaters

Retrofit case for heaters Trumatic S 3002 and S 3002 P after date of manufacture 07/81 with control rod and if necessary piezo ignitor.

30040-19100	51.68 60.72	Front case sepia brown for Trumatic S 3002
30040-19200	55.14 64.79	Front case sepia brown for Trumatic S 3002 P (including piezo ignitor)
30040-19300	51.68 60.72	Front case agate grey for Trumatic S 3002
30040-19400	55.14 64.79	Front case agate grey for Trumatic S 3002 P (including piezo ignitor)

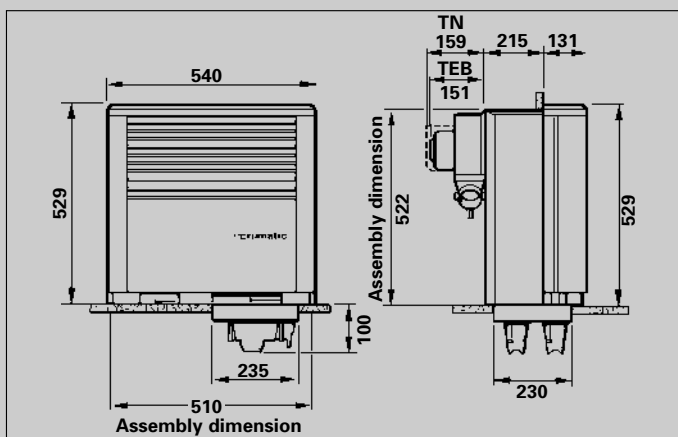


For warm air distribution all Trumavent fans can be used (fitting direct to the installation box), with the comfort kit a fitting of the fan to the wall or the floor is also possible (see page 10).

Trumatic S 5002 S 5002 E

In Germany the Trumatic S 5002 and S 5002 E are only approved for caravans.

For motor vehicles Truma offers the heaters Trumatic C (see page 15 or Trumatic E see page 11).

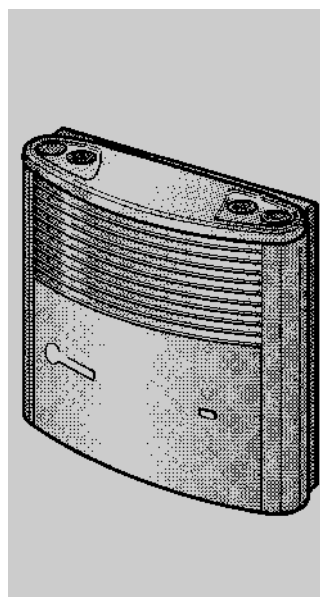


Product Ident. Number:
S 5002 CE-0085AP0326
S 5002 E CE-0085AP0857
Rated thermal output:
 5500 W (propane/butane)
 4600 W (natural gas)
Gas consumption:
 60 - 480 g/h (propane/butane)
 64.5 - 517 l/h (natural gas)
Weight:
 17.5 kg



Important: The front case is to be ordered separately!
Operation is only authorised with original Truma-front case!
 All Trumatic heaters are available with an operating pressure of **50 mbar** on request.

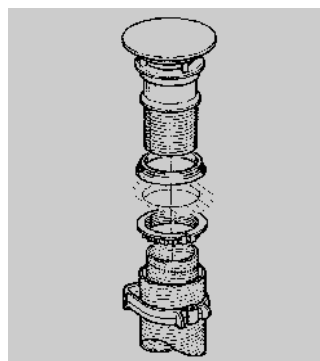
31511-01	303.26 356.33	Trumatic S 5002, 30 mbar , with automatic ignitor, thermostat and installation box (without front case)
31511-03	318.11 373.78	Trumatic S 5002, 30 mbar , with automatic ignitor, thermostat special installation box for 2 fans (without front case)
31551-01	322.66 379.13	Trumatic S 5002 E, 20 mbar for natural gas , with automatic ignitor, thermostat and installation box (without front case)
31551-03	337.51 396.57	Trumatic S 5002 E, 20 mbar for natural gas , with automatic ignitor, thermostat and special installation box for 2 fans (without front case)
30050-60100	58.57 68.82	Front case sepia brown
30050-60200	58.57 68.82	Front case agate grey



Roof flue kit Trumatic S 5002

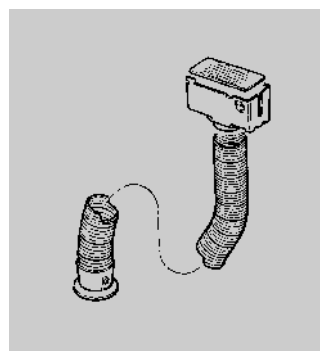
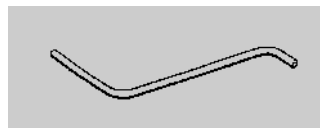
30350-00	45.52 53.49	Roof flue kit (c/w 1 roof flue AKL 5 Ø 70 mm, 2.5 m exhaust duct, 2 m insulating duct and 3 clips)
----------	-----------------------	--

Flue parts, flue tops for motor caravans and flue accessories for caravans see page 8.



Installation accessories Trumatic S 5002

30050-30500	2.90 3.41	Gas line interior connection for Trumatic S 5002 (right and left fitting)
30030-04800	21.29 25.02	Air intake extension Cpl. with 50 cm flue duct, perforated plate and extension spring (for difficult fitting situations or vehicles with double-floor) For the Trumatic S 5002, 2 extensions are necessary

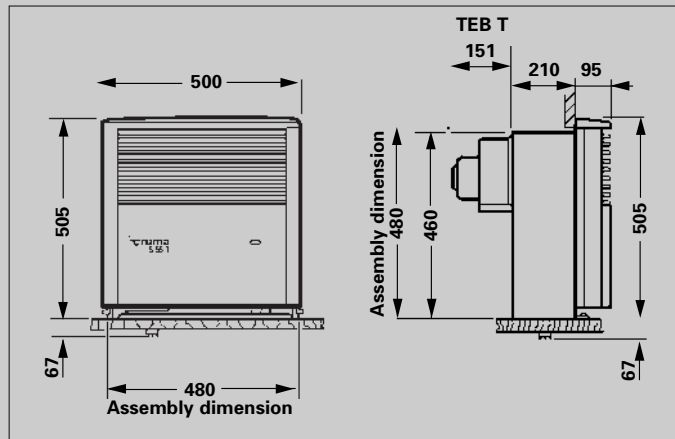


For warm air distribution all Trumavent fans can be used (fitting direct to the installation box), with the comfort kit a fitting of the fan to the wall or the floor is also possible (see page 10).

Truma S 55 T

In Germany the Truma S 55 T is only approved for caravans.

For motor vehicles Truma offers the heaters Trumatic C (see page 15 or Trumatic E see page 11).



Product Ident. Number:

S 55 T CE-0085AU0098

Rated thermal output:

5000 W

Gas consumption:

18 - 415 g/h

Operating voltage:

Heater: 1.5 V

Fan: 12 V

Power consumption

Heater: 50 mA (Ignition)

0.01 m A (monitoring)

Fan: 0.3 bis 1.0 A

Air flow rate: up to 170 m³/h

Weight:

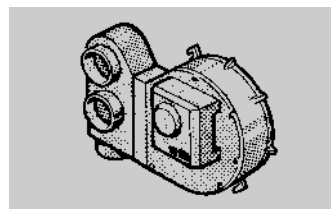
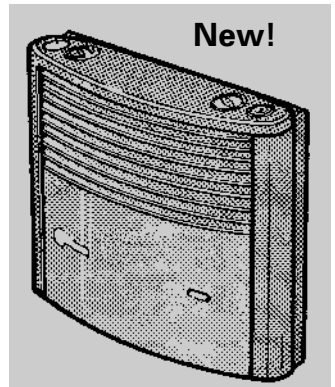
approx. 14.5 kg (without fan)

approx. 16 kg (including fan)

Important: The front case is to be ordered separately!

Operation is only authorised with original Truma-front case and fan TE B T!

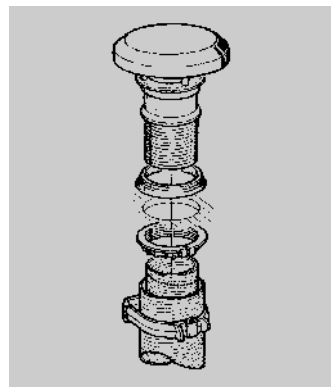
31360-01	309.53 363.70	Truma S 55 T, 30 mbar , with automatic ignitor, thermostat and installation box (without front case) 1 Trumavent fan TE B T is necessary! (please order extra)
30080-50100	68.03 79.94	Front case sepia brown (c/w control panel for fan TE B T and ignition pilot light)
30080-50200	68.03 79.94	Front case agate grey (c/w control panel for fan TE B T and ignition pilot light)
41131-01	70.44 82.77	Trumavent fan TE B T, necessary for operation (without control panel)



Roof flue kit Truma S 55 T

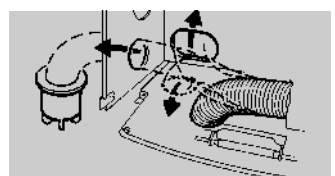
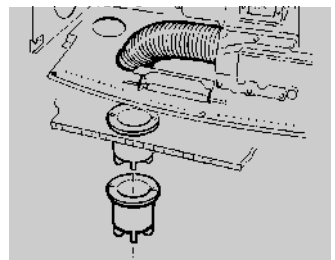
30560-00	48.18 56.61	Roof flue kit (c/w 1 roof flue AK 55 T Ø 70 mm, 2.5 m exhaust duct, 2 m insulating duct and 3 clips)
----------	-----------------------	--

Flue parts, flue tops for motor caravans and flue accessories for caravans see page 6.



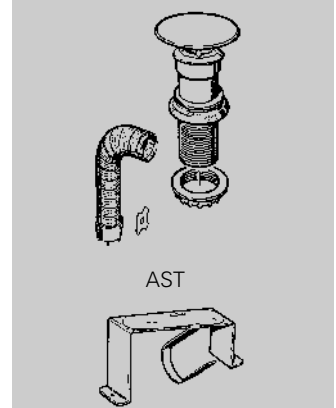
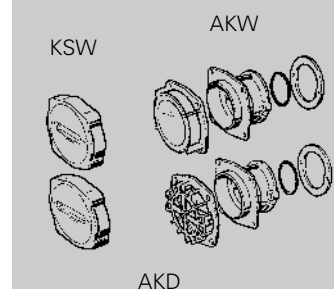
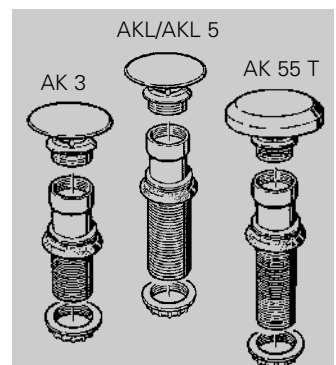
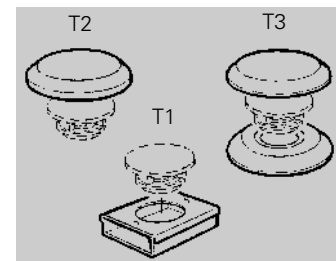
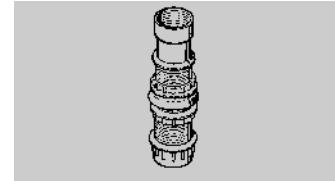
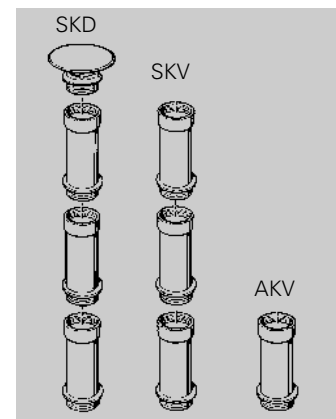
Installation accessories Truma S 55 T

30080-59000	6.00 7.05	Air intake extension (for vehicles with high cross arms or deep side skirts)
39320-00	6.52 7.66	Air intake duct for flexible combustion air intake (max. length 1 metre!) - price per metre
39050-71800	2.64 3.10	Clip for air intake duct (please always order extra)



Accessories for flue ducting Trumatic S

30610-00	9.06 10.65	Flue extension SKD 45 cm with flue roof (for caravans with special mountings or places with extreme wind conditions)
30690-00	6.40 7.52	Flue extension SKV 45 cm
30010-20800	2.13 2.50	Flue extension AKV 15 cm
30630-04	11.07 13.01	Flue leadthrough UEK for caravan protection double-roofs
30700-03	3.94 4.63	Flue top T3 for motor caravans (not for the heater Truma S 55 T)
30700-02	2.66 3.13	Flue top T2 for motor caravans (not for the heater Truma S 55 T)
30700-01	6.16 7.24	Flue top T1 for motor caravans (not for the heater Truma S 55 T)
30630-01	7.45 8.75	Roof flue AK 3 Ø 60 mm for the heaters Trumatic 2200 and S 3002
30630-03	10.91 12.82	Roof flue AKL Ø 60 mm , special version for a roof thickness over 5 cm up to 12 cm, for Trumatic S 2200 and S 3002
30651-01	10.06 11.82	Roof flue AKL 5 Ø 70 mm , for the heater Trumatic S 5002, for a roof thickness up to 12 cm
30652-02	12.72 14.95	Roof flue AK 55 T Ø 70 mm , for the heater Truma S 55 T, for a roof thickness up to 12 cm
30260-00	21.01 24.69	Wall flue kit AKW (without covers and ducts), for Trumatic S 2200
30270-00	10.91 12.82	Flue cover set KSW (2 pieces) for wall flue AKW
30290-00	15.07 17.71	Roof flue kit AKD (roof cowl AK 3 + air intake duct Cpl. without ducts), for the heater Trumatic S 2200
30140-00	8.49 9.98	Exhaust duct AE 3 Ø 55 mm (per metre) for the heaters Trumatic 2200 and S 3002 (not illustrated)
40230-00	3.42 4.02	Insulating duct ÜR Ø 65 mm (per metre) for the heaters Trumatic 2200 and S 3002 (not illustrated)
40240-00	0.38 0.45	Clip ÜS Ø 65 mm for attaching the insulating duct ÜR to the wall (not illustrated)
30160-00	10.02 11.77	Exhaust duct AE 5 Ø 65 mm (per metre) for the heater Trumatic S 5002 and Truma S 55 T (not illustrated)
40250-00	4.51 5.30	Insulating duct ÜR 5 Ø 75 mm (per metre) for the heater Trumatic S 5002 and Truma S 55 T (not illustrated)
40260-00	0.46 0.54	Clip ÜS 5 Ø 75 mm for attaching the insulating duct ÜR 5 to the wall (not illustrated)
30620-00	2.94 3.45	Exhaust duct support AST (ensures a continual rise of the exhaust duct in difficult fitting situations and for older heaters)



Truma Ultraheat

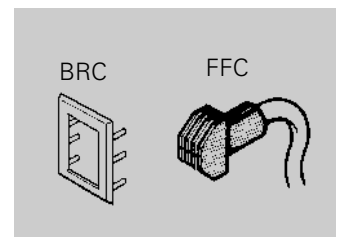
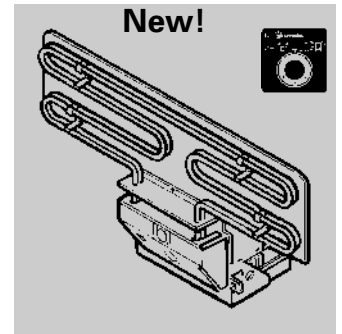


Power supply: 230 V~, 50Hz
Power consumption at power setting: 500 W: 2.2 A
 1000 W: 4.5 A
 2000 W: 8.5 A
Weight: approx. 2 kg

Additional electric heater with thermostat, control panel and 3 m connecting cable. Suitable for the heaters Trumatic S 3002 (P) after date of manufacture 07/81 and Trumatic S 5002 after 04/98 (with new semi-circular front design) and Truma S 55 T. - Installation between the heat exchanger and installation box.

Not to be used for Trumatic S 3002 K, S 5002 K, and S 5002 until 04/98 (with old square front design). **Important: The installation is only to be carried out by an expert!**

30401-01	110.00 129.25	Additional electric heater Truma-Ultraheat with a special recessed beige control panel
30401-02	110.00 129.25	Additional electric heater Truma-Ultraheat with a standard on surface fitting black control panel
34300-01	22.46 26.39	Extension cable 5m for the control panel (not illustrated)
34200-01	20.21 23.75	Remote sensor FFC c/w 4 m connecting cable
34030-01	2.62 3.08	Control panel frame BRC for flush fitting the standard on surface control panel

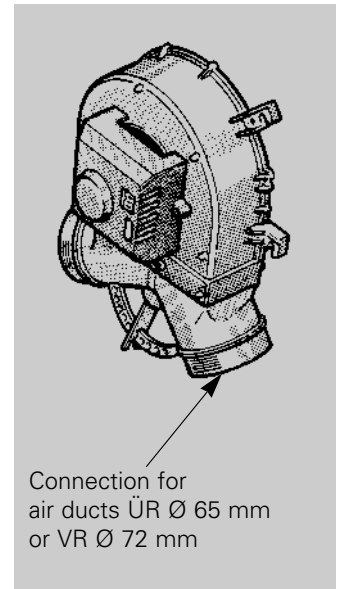


Trumavent fans for the heaters Trumatic S (not for Truma S 55 T)

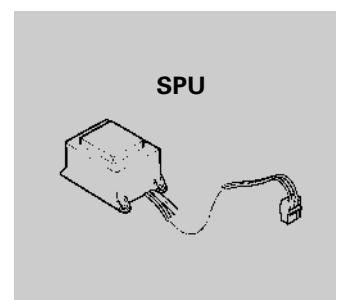


Current input **TEB-2:** 0.3 - 1 A (4 - 13 W)
TN-2: 0.5 A (65 W)
Air flow with air duct ÜR Ø 65 mm
TEB-2: 180.000 litres/h
TN-2: 190.000 litres/h
Air flow with air duct VR Ø 72 mm
TEB-2: 205.000 litres/h
TN-2: 220.000 litres/h

41121-01	91.09 107.03	Trumavent fan TEB-2 (12 V) , with automatic speed control and control panel to fit in front case (only for Trumatic S 3002 with new design)
41121-02	87.63 102.97	Trumavent fan TEB-2 (12 V) , as above with external control panel
41231-01	120.71 141.83	Trumavent fan TEN-2, 12 V fan with automatic speed control, control panel to fit in front case and Transformer 230 / 12 V (only for Trumatic S 3002 with new design)
41231-02	117.37 137.91	Trumavent fan TEN-2 , as above with external control panel
41221-01	69.88 82.11	Trumavent fan TN-2 (230 V) , standard version) with external control panel



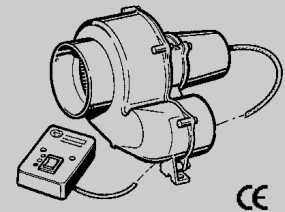
40000-47700	32.20 37.84	Transformer SPU 230/12 V, for operation of the Trumavent fan TEB-2 with 230 V
-------------	-----------------------	---



Multivent-Fan TBM

For warm air distribution of the heater Trumatic S 2200 (in conjunction with a intake nozzle DM, part no. 40670-00), as an additional fan for increasing the air output in particularly long warm air duct systems or as an extractor fan in the kitchen or toilet.

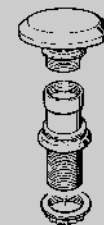
41140-01	52.05 61.16	Multivent fan TBM 12 V (universal fan) Measurements: L 150 / W 130 / H 124 mm Current input partial load: 0.23 A full load: 0.5 A Air flow rate partial load: 40.000 l/h full load: 80.000 l/h
----------	-----------------------	--



Connection for air duct UR Ø 65 mm

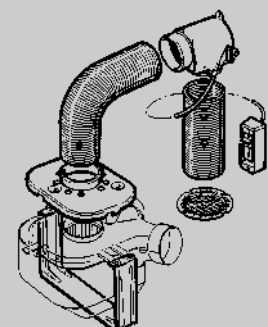
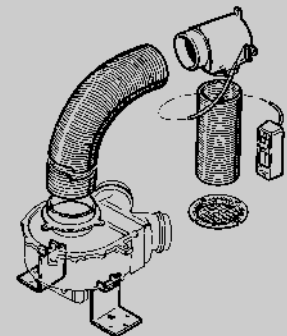
Accessories for Truma Multivent fan 12 V

40670-00	3.10 3.64	Air intake nozzle DM for connecting the Multivent fan to the heater rear panel or installation box (suitable for air ducts UR Ø 65 mm)
30630-02	10.10 11.87	Roof flue AKR for ventilation outlet (with rain protection)




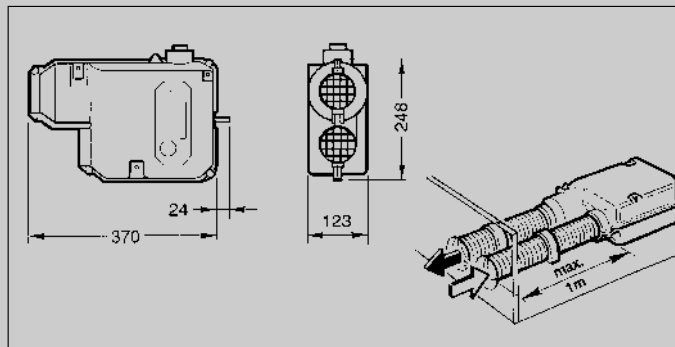
Truma Comfort kit with Airmix

40621-01	35.86 42.14	Comfort kit AXK-2, Cpl. with Airmix, for Trumavent fans after 05/96 (not for motor caravans or floor flued heaters) - not for Truma S 55 T -
40000-47900	13.12 15.42	Control panel cable 1300 mm long, necessary for Trumavent fans TEB 2 from 05/96 with the control panel integrated in the front case of the heater (not illustrated)
40620-01	35.86 42.14	Comfort kit AXK, Cpl. with Airmix, for Trumavent fans until 05/96 (not for motor caravans or floor flued heaters)



Trumatic E 2400

The Trumatic E 2400 is approved by the General Federal Office for Motor Vehicles. Test symbol: 



Product Ident. Number:

CE0085AO008

Rated thermal output:

2400 W

Gas consumption:

propane/butane

Partial-/Full load: 100/200 g/h

natural gas

Partial-/Full load: 130/240 l/h

Current input:

0.6 / 1.1 A

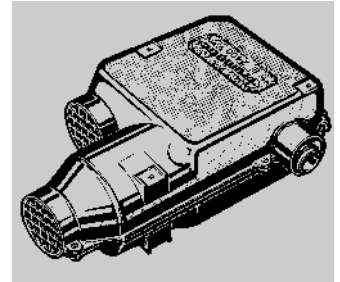
Rest current: 0.01 A

Air flow rate: 77 / 130 cm³/h

Weight: 4.7 kg

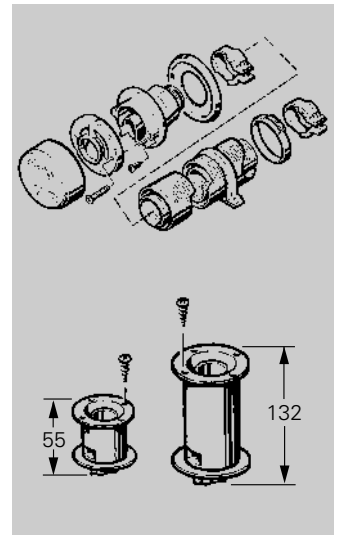
Heater with thermostat, control panel, 4 m cable and mounting kit (models with 50 mbar, versions with a 10 m control panel cable, 24 V or with a special control panel for installation in existing cut-outs on request).

37110-01	453.10 532.39	Trumatic E 2400 30 mbar , 12 V, (without flue kit)
37800-01	549.39 645.53	Trumatic E 2400 for natural gas (CNG), (without flue kit)



Flue kits Trumatic E 2400

39370-01	34.88 40.98	Wall flue kit EW 24, Cpl. with 1 m exhaust duct, 1 m combustion air supply duct and clips
39370-02	103.16 121.21	Wall flue kit EAW 24, (for external fitted heaters) Cpl. with 0.5 m exhaust duct, 1 m combustion air supply duct, clips and air duct leadthrough
39061-00	12.92 15.18	Floor flue BK 24 long
39061-01	12.92 15.18	Floor flue BK 24 short only for vehicles with a floor thickness up to 10 mm

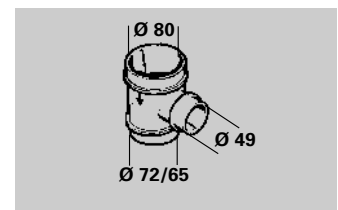
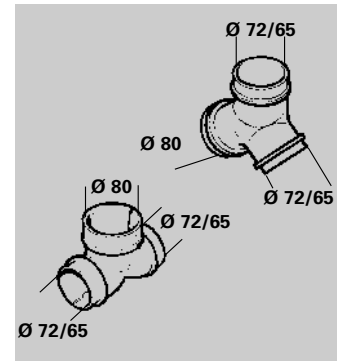
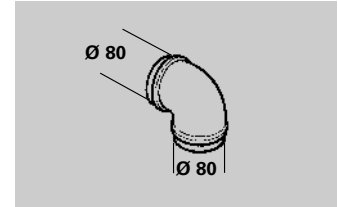
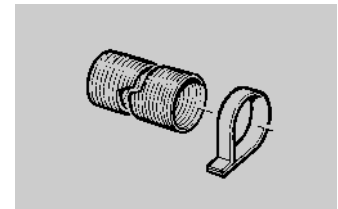


Single flue parts Trumatic E 2400

39380-01	20.57 24.17	Wall flue WK 24, Cpl. with cover (without ducts)
39140-00	4.91 5.77	Flue cover KKW
39420-00	6.52 7.66	Exhaust duct AA 24 Ø 33 mm (per metre)
39440-00	7.41 8.71	Combustion air supply duct ZR 24 Ø 64 mm (per metre)
40240-02	0.38 0.45	Clip ÜS (black)

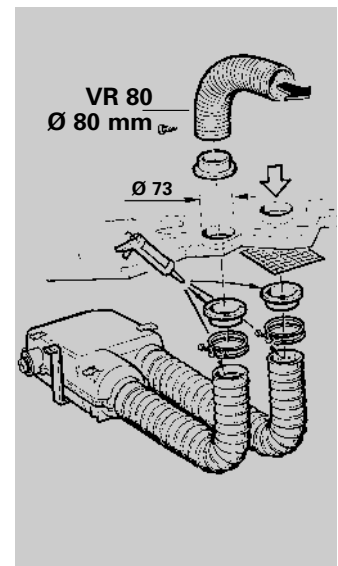
Air ducting parts Trumatic E 2400

39450-00	7.41 8.71	Air duct VR 80 (per metre) outer Ø 80 mm , inner Ø 76 mm
39590-00	0.76 0.89	Clip ZRS Ø 80 mm
39490-00	6.24 7.33	Elbow 90° BG 80 (for air duct Ø 80 mm)
39610-00	9.86 11.59	Y-pipe 80 (inlet: Ø 80 mm, outlet: 2 x Ø 65/72 mm)
39540-00	9.86 11.59	T-pipe 80 (inlet: Ø 80 mm, outlet: 2 x Ø 65/72 mm)
39500-01	9.82 11.54	Air diffuser LR 80 (inlet: Ø 80 mm, outlet: 1 x Ø 65/72 mm and 1 x Ø 49 mm)



Air leadthrough for external fitted heaters Trumatic E 2400

39080-16900	29.75 34.96	Air duct LF 18, Ø 76 mm for external fitting (standard length 60 cm)
39080-21800	1.81 2.13	Wire clip LFS 18
39050-73400	2.74 3.22	Connector-piece (for air ducts Ø 76 mm)
39010-44200	1.45 1.70	Protection grill
39050-74000	2.86 3.36	Fastening strap



The layout of the warm air distribution is individually matched to the type of vehicle (see Truma warm air system accessories from page 16).

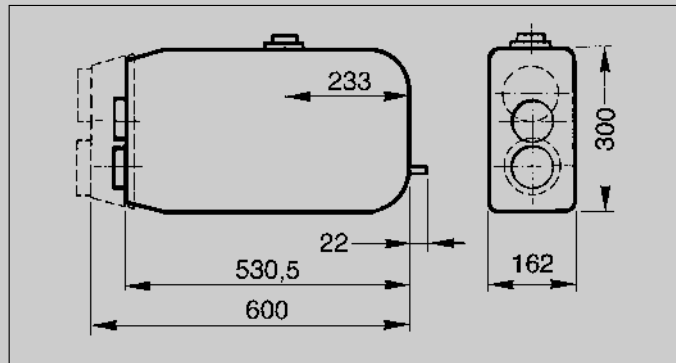
**Trumatic E 2800 (A)
E 4000 (A)**

The Trumatic E 2800 and E 4000 are approved by the General Federal Office for Motor Vehicles

Test symbol:E 2800:  S 140E 4000:  S 139**Product Ident. Number:**

E 2800: CE-0085AP0231

E 4000: CE-0085AP0232

**Rated thermal output:**

E 2800: 2800 W

E 4000: 3700 W

Gas consumption: E 2800:

Partial load: 110 g/h

Full load: 225 g/h

E 4000:

Partial load: 150 g/h

Full load: 310 g/h

Current input:

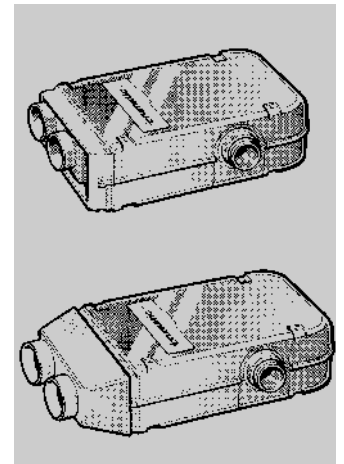
E 2800: 0.5 / 0.8 A

E 4000: 1.0 / 2.3 A

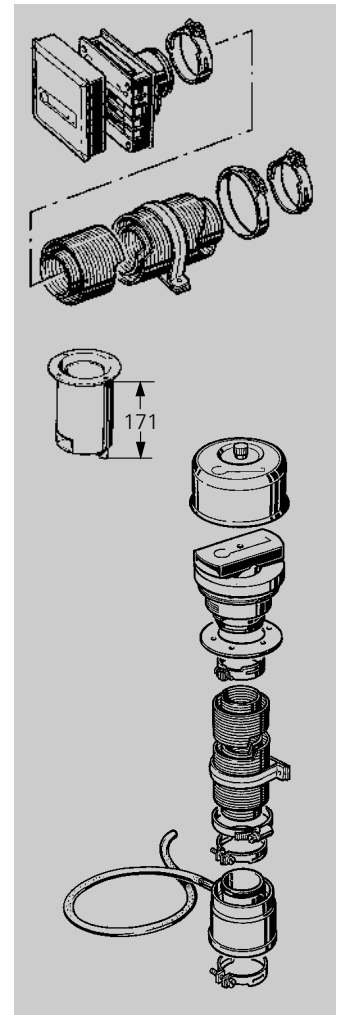
Rest current: 0.01 A**Weight:** approx. 10 kg**Air flow rate:**E 2800: 70 m³/h / 140 m³/hE 4000: 120 m³/h / 190 m³/h

Heater Cpl. with thermostat, control panel with 4 m cable and mounting kit (models with 50 mbar, versions with a 10 m control panel cable, 24 V or with a special control panel for installation in existing cut-outs on request).

32210-01	617.06 725.05	Trumatic E 2800 30 mbar , 12 V (without flue kit)
32310-01	739.42 868.82	Trumatic E 4000 30 mbar , 12 V (without flue kit)
32150-01	706.42 830.04	Trumatic E 2800 A 30 mbar , 12 V for external fitting (without flue kit)
32490-01	816.70 959.62	Trumatic E 4000 A 30 mbar , 12 V for external fitting (without flue kit)

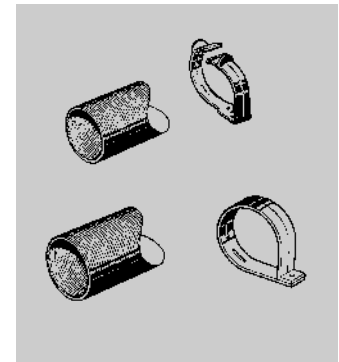
**Flue kits Trumatic E 2800 and E 4000**

39690-01	35.26 41.43	Wall flue kit EW c/w 1 m exhaust duct, 1 m combustion air supply duct and clips
39690-03	24.75 29.08	Wall flue kit EAW (for external fitted heaters) c/w with 0.3 m exhaust duct, 0.3 m combustion supply duct and clips
39690-00	75.45 88.65	Roof flue kit ED c/w 2 m exhaust duct, 2 m combustion air supply duct, condensation trap and clips
39510-00	12.92 15.18	Floor flue AB
39340-01	20.57 24.17	Wall flue AW-2, Cpl. with cover (without ducts)
39330-01	4.91 5.77	Wall flue cover KW-2
39600-01	26.49 31.13	Roof flue AD, Cpl. with cover (without ducts)
39620-01	10.59 12.44	Roof flue cover KMD
39670-00	16.83 19.78	Condensation trap KWA
39320-00	6.52 7.66	Exhaust duct AA 3 Ø 55 mm (per metre)
39580-00	7.41 8.71	Combustion air supply duct ZR Ø 80 mm (per metre)
39590-00	0.76 0.89	Clip ZRS Ø 80 mm



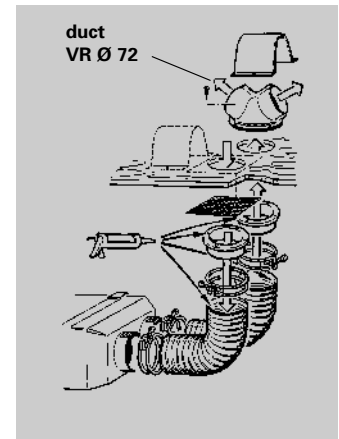
Air ducting parts Trumatic E 2800 and E 4000

39550-00	6.76 7.94	Air duct VR Ø 72 mm (per metre) for direct connection to the heaters Trumatic E 2800 and E 4000
39560-00	0.76 0.89	Clip VRS Ø 72 mm
39570-00	9.06 10.65	Insulating duct I 80 Ø 85 mm (for air duct VR 72, e. g. contact protection for Trumatic E 4000)
39590-00	0.76 0.89	Clip ZRS Ø 80 mm



Air leadthrough for external fitted heaters Trumatic E 2800 A and E 4000 A

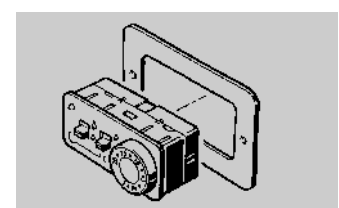
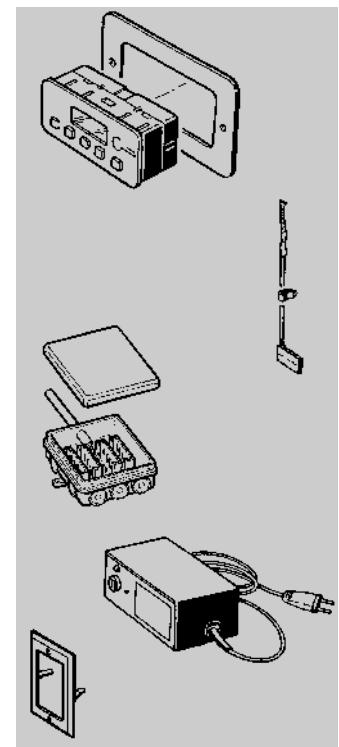
39760-00	31.72 37.27	Air duct LF Ø 106 mm (per metre)
39770-00	1.81 2.13	Clip LFS Ø 106 mm
39010-76900	2.78 3.27	Connector piece Ø 106 mm
39750-00	13.77 16.18	Air diffuser LVE (outlet for 2 x air duct VR Ø 72 mm) Cpl. with protection grill and protective panel



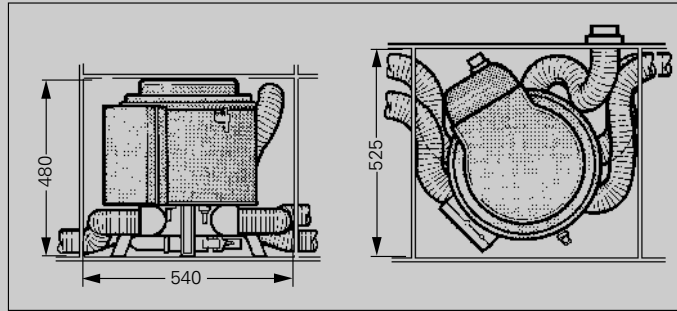
The layout of the warm air distribution is individually matched to the type of vehicle (see Truma warm air system accessories from page 16).

Accessories for electronics Trumatic E

39890-00	99.32 116.70	Time switch ZUE 12/24 V c/w installation frame and 4 metres cable
39010-77300	10.61 12.47	Remote sensor FF c/w with 4 m cable
39010-77400	16.10 18.92	Remote sensor FF 1 c/w with 10 m cable
39010-78300	19.40 22.80	Extension cable 4 m for electrical accessories, e.g. time switch or remote sensor (not illustrated)
39010-78400	32.81 38.55	Extension cable 10 m for electrical accessories, e.g. time switch or remote sensor (not illustrated)
39010-78200	9.06 10.65	Multiple plug adaptor MSD with 0,3 m connection cable (for connecting different accessories, e.g. time switch and remote sensor)
39900-01	131.90 154.98	Power supply unit NT 230/12 V steady load 6 A! Measurements: 19 x 13 x 7,5 cm, weight: 900 g
39980-01	2.62 3.08	Control panel frame BR for flush-fitting the standard control panel
39050-39000	58.28 68.48	Special control panel for installation in existing cut-outs (e.g. instrument panel) with thermostat, 4 m cable and installation frame
39050-38900	91.25 107.22	Special control panel for installation in existing cut-outs (e.g. instrument panel) with thermostat, 10 m cable and installation frame



Truma Combi



Product Ident. Number:
C 3402 CE-0085AS0121
C 6002 CE-0085AS0122

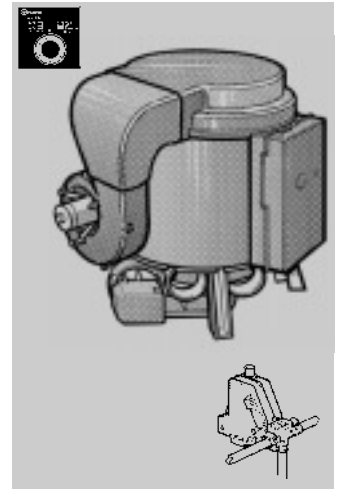


	Truma Combi 3402		Truma Combi 6002		
Burner stage	1	2	1	2	3
Rated therm. output:	2000 W	3400 W	2000 W	4000 W	6000 W
Gas consumption:	170 g/h	285 g/h	170 g/h	330 g/h	490 g/h

Current input at 12 V:
 (heater + boiler)
 C 3402: 0.2 - 2.4 A / Ø 0.9 A
 C 6002: 0.2 - 2.4 A / Ø 1.1 A
 (heating up boiler): 0,4 A
Rest current: 0.001 A
Water capacity: 12 litres
Heating up time to 70°C:
 approx. 35 Min. (boiler)
 app. 80 Min. (heater + boiler)
Water pressure:
 max. 2.8 bar
Air flow rate:
 C 3402: max. 218 m³/h
 C 6002: max. 240 m³/h
Weight:
 17.6 kg (without water)

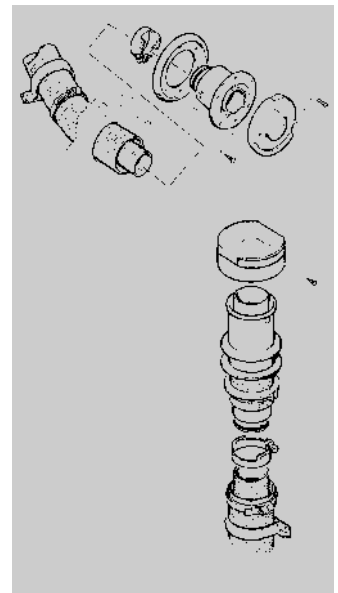
All Combi heaters c/w room thermostat, control panel with 3 m connecting cable, mounting parts, electrical safety/drain valve and water connections for Ø 10 mm flexible water tubes. (water connections for semi-rigid piping on request).
 Gas pressure: **30 mbar** (28 mbar propane/37 mbar butane).

33331-05	873.46 1026.32	Truma Combi 3402 with electrical heating collar (230 V, 450 W) for warm water c/w special recessed beige control panel (without flue kit)
33311-01	767.60 901.93	Truma Combi 3402 c/w on surface fitting black control panel (without flue kit)
33631-05	991.40 1164.90	Truma Combi 6002 with electrical heating collar (230 V, 450 W) for warm water c/w special recessed beige control panel (without flue kit)
33611-01	885.53 1040.50	Truma Combi 6002 c/w on surface fitting black control panel (without flue kit)



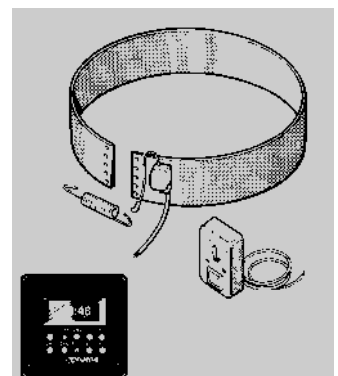
Flue kits Truma Combi

34110-01	30.33 35.64	Wall flue kit CW, with 1 m exhaust duct, 1 m combustion air supply duct and clips (without cover)
34121-01	56.59 66.49	Roof flue kit CD, with 2.5 m exhaust duct, 2.5 m combustion air supply duct and clips (without cover)
34011-01	14.99 17.61	Wall flue WKC (without cover and ducts)
34051-01	19.48 22.89	Roof flue DKC 2 (without cover and ducts)
39320-00	6.52 7.66	Exhaust duct AA 3 Ø 55 mm (per metre)
39580-00	7.41 8.71	Combustion air supply duct ZR Ø 80 mm (per metre)
39590-00	0.76 0.89	Clip ZRS Ø 80 mm

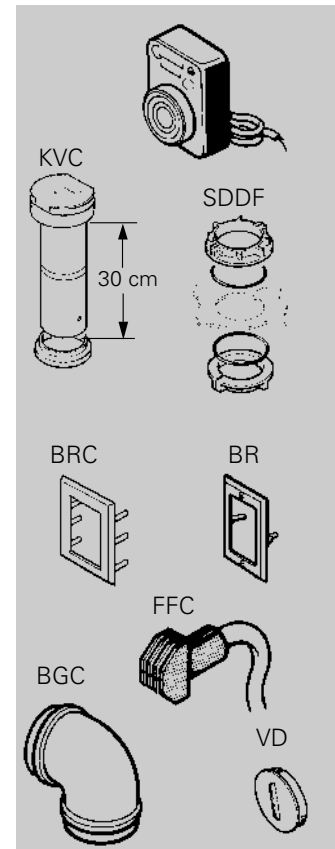


Accessories Truma Combi

34300-01	22.46 26.39	Extension cable 5 m for control panel (not illustrated)
34140-01	143.17 168.22	Heating collar retrofit kit 230 V, 450 W for warm water (only available for Trumatic C, series 2)
34040-01	107.67 126.51	Time switch ZUC with possibility to lower the temperature at night, c/w 3 m cable
34000-38400	18.72 22.00	Extension cable 5 m for time switch ZUC (not illustrated)

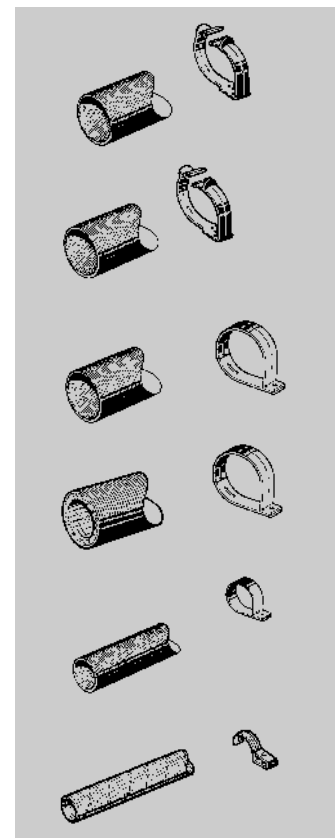
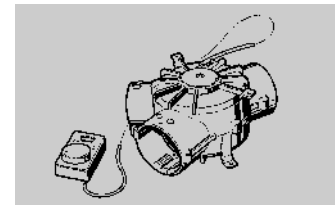


34170-01	28.34 33.30	Remote control for the electrical safety-/drain valve Series 2 from 06/97 c/w 3 m connecting cable
34000-86000	12.18 14.31	Cable extension 5 m for remote control
34070-01	34.11 40.08	Flue extension KVC
34080-01	5.74 6.74	Flue leadthrough SDDF for caravan protection double-roofs
34030-01	2.62 3.08	Control panel frame BRC for flush fitting the control panel or the time switch
39981-01	2.62 3.08	Control panel frame BR for flush fitting the control panels for electrical heating 230 V or remote control
34200-01	20.21 23.75	Remote sensor FFC c/w 4 metres connecting cable
34090-00	5.74 6.74	Elbow BGC for direct connection to the warm air outlet of the heater Truma Combi (outlet for air ducts Ø 65 or 72 mm)
40352-00	0.68 0.80	Blanking plug VD for closing a warm air outlet at the heater Truma Combi 3402

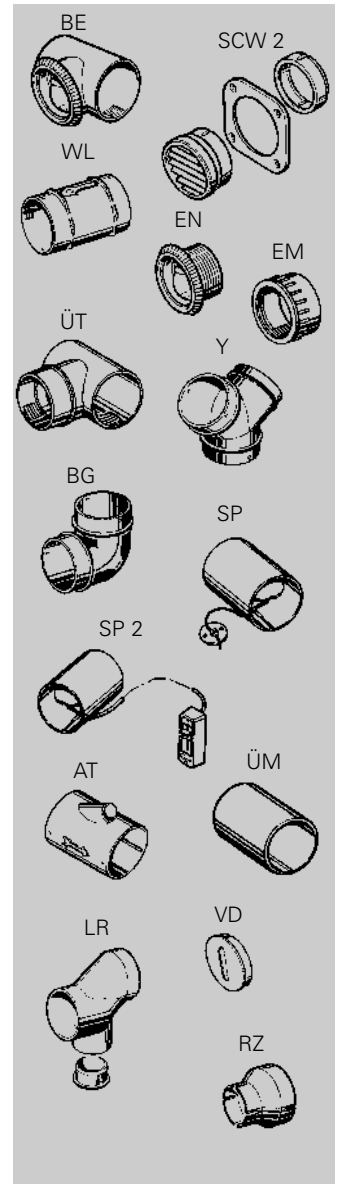


Truma warm air systems

40690-01	36.19 42.52	Airmat (air diffuser with remote control) for air ducts ÜR Ø 65 mm
40230-00	3.42 4.02	Air duct ÜR Ø 65 mm
40240-00	0.38 0.45	Clip ÜS Ø 65 mm
39550-00	6.76 7.94	Air duct VR Ø 72 mm
39560-00	0.76 0.89	Clip VRS Ø 72 mm
39580-00	7.41 8.71	Air duct ZR Ø 80 mm
40680-00	19.64 23.08	Insulated waterproof air duct DRI Ø 85 mm (standard length 1.5 m)
39590-00	0.76 0.89	Clip ZRS Ø 80 mm
39170-00	7.41 8.71	Air duct ZR 18 Ø 49 mm
39190-00	0.76 0.89	Clip ZRS 18 Ø 49 mm
40210-00	1.93 2.27	Air duct AZR Ø 22 mm
40220-00	0.22 0.26	Clip AZS Ø 22 mm

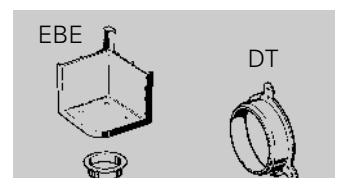
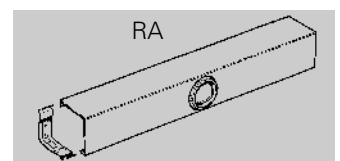
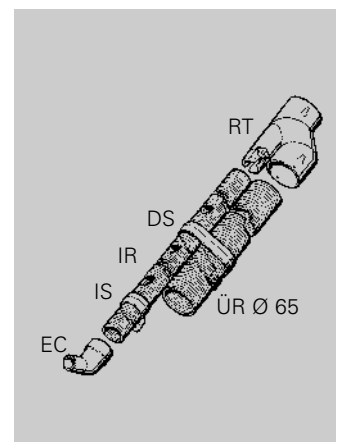


40110-01	2.66 3.13	Air outlet BE (for air ducts Ø 65 or 72 mm)
39971-01	8.35 9.81	Swivelling air outlet SCW 2 non-closable air outlet for the heaters Trumatic E + Trumatic C (for air ducts Ø 72 or 80 mm)
40700-01	2.27 2.67	Wall outlet vent WL (for air ducts Ø 65 or 72 mm)
40170-01	1.37 1.61	End air outlet EN (for air ducts Ø 65 mm)
40180-00	0.93 1.09	Nut EM for end air outlet EM
40150-01	1.73 2.03	T-pipe ÜT (for air ducts Ø 65 or 72 mm)
39030-04000	6.32 7.43	Y-pipe (for air ducts Ø 65 or 72 mm)
39010-76400	6.02 7.07	Elbow BG (for air ducts Ø 65 or 72 mm)
40120-00	6.94 8.15	Cord operated duct shut off SP (for air ducts Ø 65 or 72 mm)
40120-01	11.57 13.59	Remote controlled duct shut off SP 2 as above, but with a remote control slide for fitting on a wardrobe
40160-00	2.35 2.76	Straight coupling ÜM (for air ducts Ø 65 or 72 mm)
40130-00	2.46 2.89	Branch-T AT, e.g. for refrigerator ventilation in summer (for air ducts Ø 65 or 72 mm) outlet Ø 22 mm)
40352-00	0.68 0.80	Blanking plug VD
39010-81300	3.02 3.55	Reducer RZ (from air ducts Ø 72 mm to Ø 49 mm)
39410-01	8.82 10.36	Air diffuser LR (for air ducts Ø 65 or 72 mm, T-outlet Ø 49 mm)

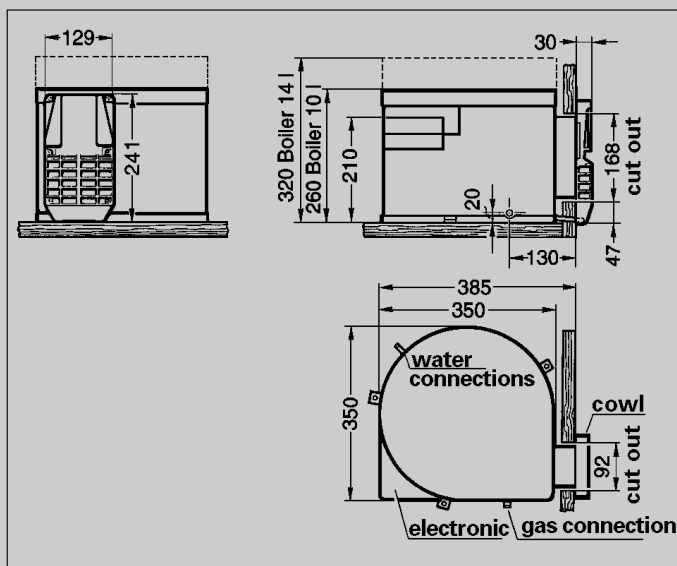


Truma Isotherm system

40300-00	4.81 5.65	Duct branch RT for Isotherm system (for air duct Ø 65, outlet Ø 35 mm)
40320-00	4.21 4.95	Isotherm duct IR Ø 35 mm (per metre)
40340-00	0.81 0.95	Double-clip DS (for isotherm duct Ø 35 mm and air duct ÜR Ø 65 mm)
40330-00	0.38 0.45	Clip IS (for isotherm duct Ø 35 mm)
40310-00	1.73 2.03	Corner air outlet EC for isotherm duct Ø 35 mm (with cover)
40640-00	11.91 13.99	Duct casing, length 65 cm, incl. 2 holding angles (without air outlet)
40100-00	6.52 7.66	Corner air outlet EBE (connection for air duct ÜR Ø 65 mm)
40660-00	3.22 3.78	Air intake nozzle DT Ø 80 mm (for fan connection in special cases)



Truma-Ultrastore



Product Ident. Number:
CE-0085AP0038

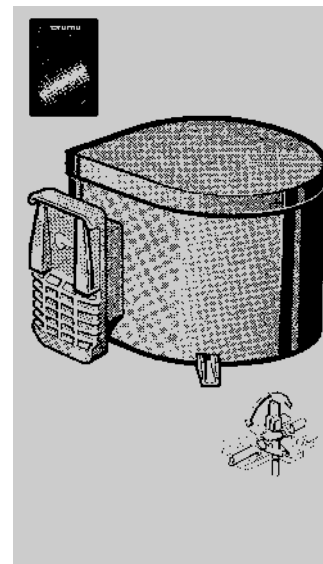


Water capacity: 10 / 14 litres
Water pressure: up to 2.8 bar
Gas consumption: 120g/h
 for 10 l water: 64 g
 for 14 l water: 92 g
Weight (without water):
 Ultrastore 10 l: approx 6.7 kg
 Ultrastore 14 l: approx 7.3 kg
Water hose connection:
 Pressure-tight hot water hose (e.g. Truma SBH special hose) Ø 10 mm
Current consumption at 12 V:
 Ignition: 0.17 A
 Heating up: 0.08 A
 Standby: 0.04 A
Heating time up to approx. 70°C
 Gas operation: approx. 35 min.
 electrical operation:
 approx. 70 min.
 Gas and electrical operation:
 approx. 20 min.

Storage water heater with control panel, 3 m connecting cable, wall flue, flue cover KBS 2, safety/drain valve and non return valve. Gas pressure **30 mbar** (28 mbar propane/37 mbar butane)

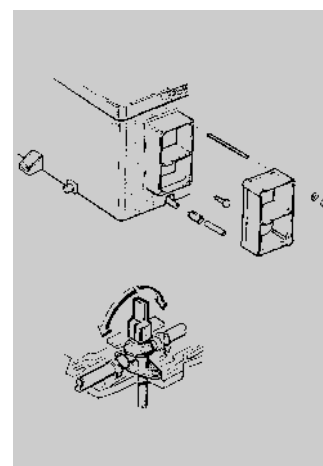
71552-11	342.75 402.73	Ultrastore, gas and electric (450 W) water heater (10 litres) c/w water connections for flexible water tubes and special recessed beige control panel (water connections for semi-rigid piping on request)
71512-02	337.71 396.81	Ultrastore, gas water heater (10 litres) c/w black on surface fitting control panel (water connections on request)
71632-02	436.13 512.45	Ultrastore, gas and electric (450 W) water heater (14 litres) c/w black on surface fitting control panel (water connections on request)
71612-02	372.13 437.25	Ultrastore, gas water heater (14 litres) c/w black on surface fitting control panel (water connections on request)

In difficult fitting situations within motor vehicles and caravans, the **Truma Boat Boiler** with flexible exhaust ducting via the wall or through the roof can be used.



Installation accessories Truma Ultrastore

70000-53500	15.13 17.78	Cable extension 5 m for control panel (not illustrated)
70131-00	15.70 18.45	Flue extension VBO 2, length 50 mm (for wall thickness over 35 mm necessary)
70000-03300	2.25 2.64	Non return valve (not illustrated) (essential extra for immersion pumps)
70141-02	14.73 17.31	Safety/drain valve ABO 2.8 bar (in some fitting situations an additional valve will be necessary) for flexible water hose Ø 10 mm
70141-04	14.73 17.31	Safety/drain valve ABO 2.8 bar as above but with a straight connector Ø 10 mm for semi-rigid piping (John Guest System)
70141-01	14.73 17.31	Safety/drain valve ABO 2 bar for flexible water hose Ø 10 mm
70121-01	4.91 5.77	Flue cover KBS 2 (not illustrated) for Truma water heaters series 2 + 3 after 01/92
70120-01	4.91 5.77	Flue cover KBS (not illustrated) for Truma water heater series 1 until 01/92

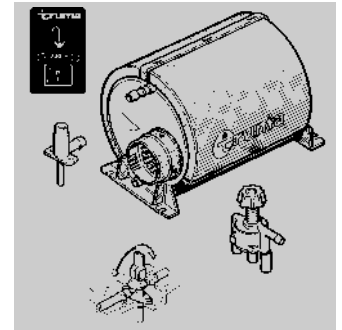


Truma-Therme



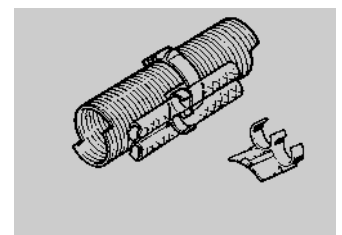
Water capacity: 5 litres **Water pressure:** max 1.2 bar
Electric heater element: 230 V ~ (300 Watt)
Heating time: approx. 50 min.
Temperaturer: 65°C
Length / high / breadth: 37 cm / 23 cm / 22 cm
Weight: approx. 2 kg

42011-01	97.79 114.90	Therme TT-2, (storage water heater) c/w remote control and drain valve (without mixing valve)
40020-00300	7.69 9.04	Mixing valve for Truma-Therme
70141-10	14.73 17.31	Safety/drain valve ABO 1.5 bar for flexible water hose Ø 10 mm, necessary when connecting the Truma Therme to a central water supply (city mains)



Accessories for the water system

70110-00	3.20 3.76	Water hose SBH (per metre) (food quality, pressure-tight up to 3.5 bar and temperature resistant up to + 80°C)
40710-00	0.40 0.47	Hose clip for securing water hose on warm air duct

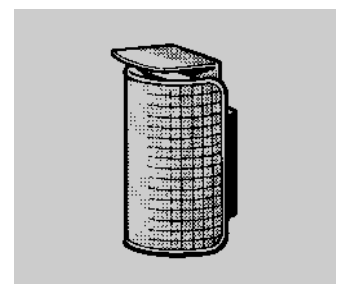


Truma Nova gaslights



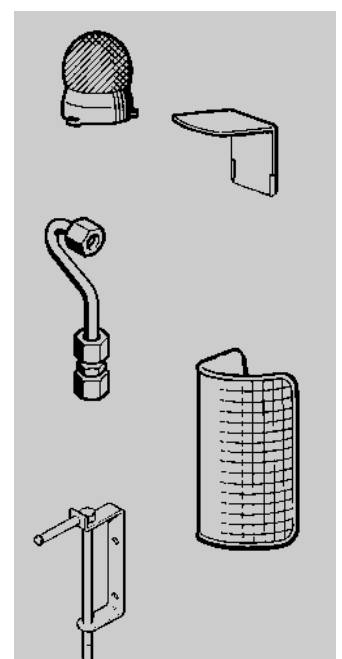
Product Ident. Number: NLZS: CE-0085AQ1055
NLS: CE-0085AR0491
Output: up to approx. 60 Watt
Gas consump.: 10 - 40 g/h

12310-01	73.06 85.85	Nova gaslight NLZS, 30 mbar , with safety ignition device (c/w a white fibre glass shade SW, 2 screw-on mantle and heat deflector)
12230-02	49.91 58.64	Nova gaslight NLS, 30 mbar , without safety ignition device (c/w a white fibre glass shade SW and 2 screw-on mantle) Not for motorised vehicles! All Truma Nova gaslights are available with an operating pressure of 50 mbar on request.



Accessories for Nova gaslights

10200-00	3.98 4.68	Screw-on mantle NG
10000-32300	5.03 5.91	Heat deflector WNL (additional for gaslight NLS)
10000-38000	7.59 8.92	On surface fitting for laying the gas supply line on surface
10000-39000	0.89 1.05	Air throttle LK (not illustrated); retrofit part for older gaslights NLZS/NLS
10310-01	13.48 15.84	Shade SW (fibre glass, white) for Nova gaslights NLZS and NLS
10300-01	13.48 15.84	Shade NWS, cornered shape, for gas light NL (not illustrated)
10400-00	13.48 15.84	Piccolo globe for Truma camping lights (not illustrated)
10000-05500	8.05 9.46	Flint ignitor

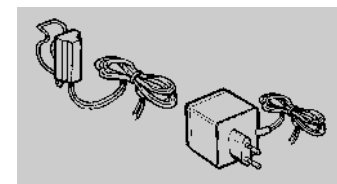
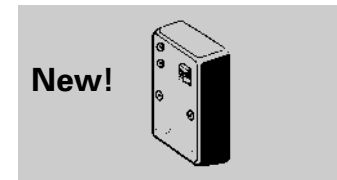
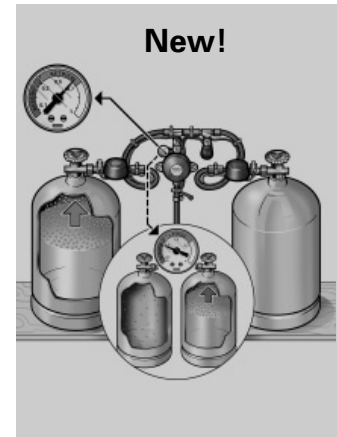


Truma Triomatic

Regulator switch-over automatic
 with pol-connection for two propane gas cylinders

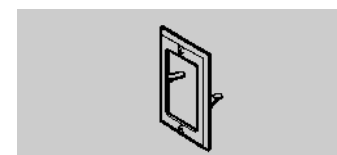
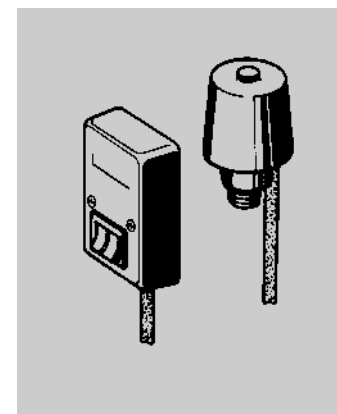
New!

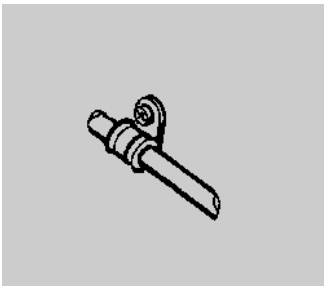
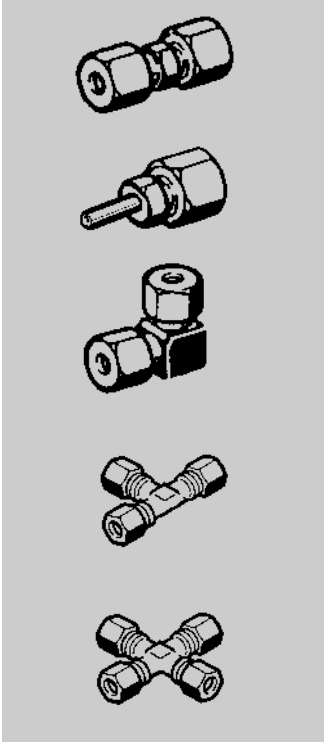
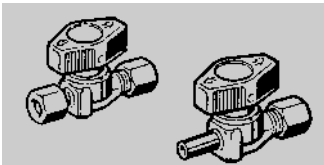
51300-04	71.37 83.86	Triomatic, 30 mbar , regulator automatic switch-over for 8 mm gas supply line (1 appliance- 1 operating- 1 reserve regulator, 2 flexible gas hoses W 40 / 3/8"l/h and 1 T-piece)
51300-05	71.37 83.86	Triomatic, 30 mbar , as above for 10 mm gas supply line
50610-05	5.55 6.52	Flexible gas hose W 40 / 3/8"l/h 40 cm long for Triomatic (spare)
50610-06	10.10 11.87	Flexible gas hose W 100 / 3/8"l/h 100 cm long for Triomatic
50610-07	12.20 14.34	Flexible gas hose W 150 / 3/8"l/h 150 cm long for Triomatic
50200-01	39.85 46.82	Remote indicator, for Triomatic regulator automatic switch-over, (to prevent malfunctions occurring in the gas system during winter operation, the remote indicator can be supplemented with one or two defrosters (Eis-Ex) (Part. no. 53100-01)
53100-01	7.61 8.94	De-icer „Eis-Ex“ 12 V antifrost for pressure regulator
53110-01	18.44 21.67	TEX transformer plug (12 V, 4 Watts) for operation of the remote indicator and the „Eis-Ex“ with 230 V (only for use on the continent)

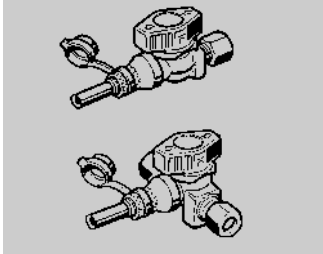
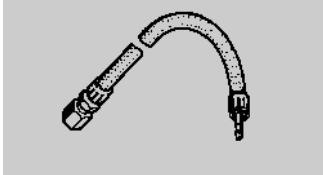
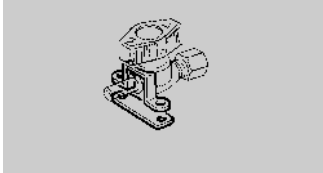

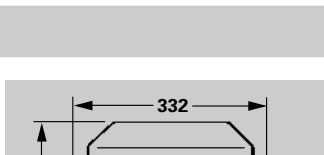


Truma accessories for the gas supply

57010-01	37.92 44.56	Gas remote switch GSE 12 V for single gas cylinder unit with 8 mm gas supply line , mounting between gas pressure regulator and flexible gas hose, c/w 1.5 m connecting cable for appliances with a total output up to 5.5 KW
57020-01	37.92 44.56	Gas remote switch GSD 12 V for two-cylinder gas unit with 10 mm gas supply line (or fixed gas line, e.g. gas tanks), mounting between gas line and T-piece, c/w 1.5 m conn. cable for appliances with a total output up to 5.5 KW
57021-01	40.86 48.01	Gas remote switch GS 10 12 V for single and two-cylinder gas unit with 10 mm gas supply line , mounting on single cylinder unit between flexible gas tube and gas line, on Truma-Triomatic between T-piece and gas line, on Truma-Triomatic between appliance regulator and gas line, c/w 1.5 m conn. cable
39980-01	2.62 3.08	Control panel frame BR for flush fitting control panels



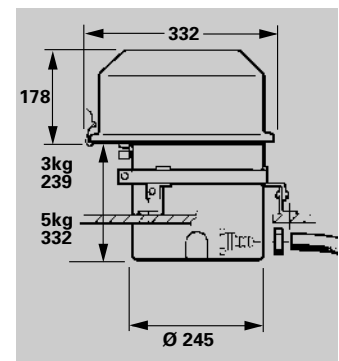
Part No.	£ Ex. VAT £ Inc. VAT		Product information
39010-28600	17.28 20.30	Gas pipe EO 8 x 1 mm plastic-laminated (6 metre roll)	
39010-28500	11.70 13.75	Pipe clips EOS 8 with rubber lining and screw (10/pack)	
39030-13200	12.45 14.63	Gas pipe EO 10 x 1 mm plastic-laminated (bar with 3 metres length)	
39030-13400	13.90 16.33	Pipe clips EOS 10 with rubber lining and screw (10/pack)	
10160-00	1.09 1.28	Straight union G 8 for gas pipe 8 mm	
10161-00	1.57 1.84	Straight union G 10 for gas pipe 10 mm	
50040-11900	2.05 2.41	Straight reducer union G 8/10 from 8 mm to 10 mm	
50000-06500	2.44 2.87	Straight reducer union 10/Z 8 from 10 mm screw fitting to 8 mm pipe stud	
10170-00	3.02 3.55	Elbow union W 8 for gas pipe 8 mm	
10171-00	3.26 3.83	Elbow union W 10 for gas pipe 10 mm	
10180-00	3.80 4.47	T-union T 8 for gas pipe 8 mm	
10181-00	4.21 4.95	T-union T 10 for gas pipe 10 mm	
10111-00	5.35 6.29	T-union T 10/8 (10 mm x 8 mm x 10 mm)	
10190-00	6.84 8.04	Cross union KR 8 for gas pipe 8 mm	
24111-01	13.76 16.17	Manifold valve VK 2-8 , inlet 8 mm with 2 outlets 8 mm, with fixing eyelet	
24131-01	18.75 22.03	Ventilblock VK 3-8 , inlet 8 mm with 3 outlets 8 mm, with fixing eyelet	
24132-01	18.75 22.03	Ventilblock VK 3-10 , inlet 10 mm with 3 outlets 8 mm, with fixing eyelet	
24151-01	29.91 35.14	Ventilblock VK 4-8 , inlet 8 mm with 4 outlets 8 mm, with fixing eyelet	
24152-01	38.28 44.98	Ventilblock VK 4-10 , inlet 10 mm with 4 outlets 8 mm, with fixing eyelet	
20000-19600	0.48 0.56	Blanking plug BS 8 mm (for closing free outlets)	
20000-21700	0.50 0.59	Blanking plug BS 10 mm (additional)	
20000-46900	1.51 1.77	Connector 8-8 mm for joining two manifolds to each other (not illustrated)	
20000-47000	2.31 2.71	Connector 10-10 mm for joining two manifolds to each other (not illustrated)	
20000-47100	2.31 2.71	Connector 10-8 mm for joining two manifolds to each other (not illustrated)	
23110-01	9.38 11.02	Straight quick-acting valve K 8 Ms (both ends 8 mm screw-fitting)	
23190-01	10.97 12.89	Straight quick-acting valve K 8 - Z 8 Ms (outlet 8 mm pipe stud)	

Part No.	£ Ex. VAT £ Inc. VAT		Product information
23250-01	30.99 36.41	Coupling quick-acting valve KV 8	
23270-01	46.17 54.25	Branch coupling quick-acting valve AKV 8	
39010-04500	9.70 11.40	Flexible gas hose W 100 for coupling valves with coupling stud and screw-fitting R 1/4" left	
20000-22900	0.85 1.00	Bow strap 17 mm (for attaching the quick-acting and manifold valves)	
20000-22700	0.44 0.52	Spacer 2 mm for bow strap 17 mm	
10690-00	5.03 5.91	Truma paste 400 (25 g tube) heat-proof sealing- and sliding paste for screw-fittings	

Truma gas cylinder box

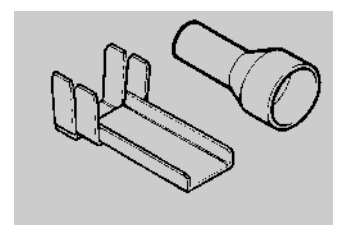
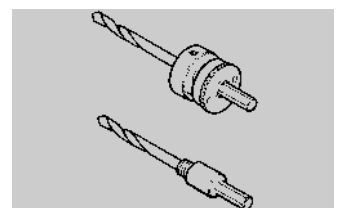
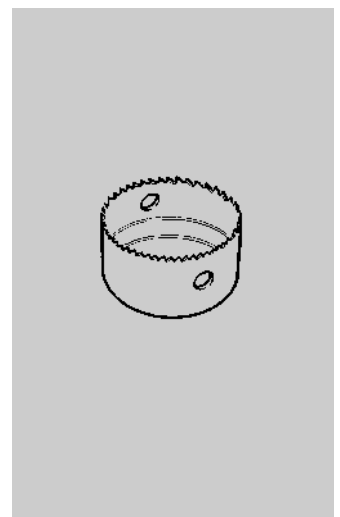
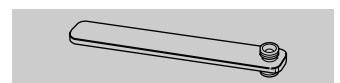
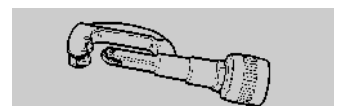
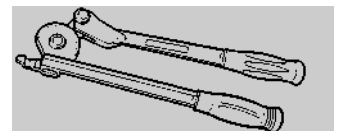
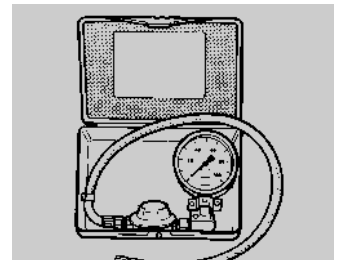
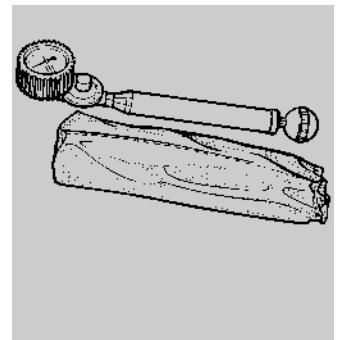
Truma plastic gas cylinder box for 3 or 5 kg propane gas cylinders with ventilation 2 cm³. Universal fastening e.g. free standing inside the vehicle or sunk-in the vehicle floor.

50100-01	112.70 132.42	Gas cylinder box for 3 kg propane cylinders
50110-01	112.70 132.42	Gas cylinder box for 5 kg propane cylinders



Testing kits and special tools (prices net - also for specialist shops)

54100-00	133.10 156.39	Leak testing kit DP, Pressure pump with pressure gauge for leak testing liquid gas systems in vehicles or boats. c/w a protective bag and sealing-nipple for testing two-cylinder gas units (pressure limitation at approx. 150 mbar)
50610-01	4.63 5.44	Flexible gas hose W 40 1/4"/h / 8 for leak testing on vehicles with a 8 mm gas supply line
50650-01	7.04 8.27	Flexible gas hose W 40 1/4"/h / 10 for leak testing on vehicles with a 10 mm gas supply line
54110-00	101.15 118.85	Regulator testing kit RP, with pressure gauge for testing gas pressure regulators 30 or 50 mbar, fitted in a plastic box
50040-12900	2.17 2.55	Test adapter 1/4"/h / 8 for testing the appliance regulator on the Truma-Triomatic with 8 mm gas supply line
50040-12800	2.17 2.55	Test adapter 1/4"/h / 10 for testing the appliance regulator on the Truma-Triomatic with 10 mm gas supply line
50000-13800	65.53 77.00	Gas-pipe bender for gas supply line Ø 8 x 1 mm
50000-16100	83.24 97.81	Gas-pipe bender for gas supply line Ø 10 x 1 mm
50000-14400	40.65 47.76	Gas-pipe cutter
39010-31800	7.85 9.22	Pre cutting key, for pre-assembling olives on gas tubes 8 mm and 10 mm
50000-14500	35.78 42.04	Bore-crown Ø 102 mm for air duct leadthrough E 2800 A/E 4000 A
50000-13300	18.88 22.18	Bore-crown Ø 83 mm for wall flue Trumatic C 3402/C 6002 or wall-, roof- and floor flue Trumatic E 2800/E 4000
50000-14600	18.88 22.18	Bore-crown Ø 70 mm for wall flue Trumatic E 2400, roof flue Trumatic S 5002 (E) (K) or air outlet BE and end air outlet EN
50000-14700	18.88 22.18	Bore-crown Ø 64 mm for floor flue Trumatic E 2400
50000-14800	18.88 22.18	Bore-crown Ø 60 mm for roof flue Trumatic S 2200 und S 3002 (P) (K)
50000-13500	8.53 10.02	Bore-crown Ø 22 mm for the leadthrough of the gas supply line or control panel cables
50000-13600	20.41 23.98	Holder for bore-crowns over Ø 25 mm
50000-12500	4.01 4.71	Spare drill bit 84 mm long for holder over Ø 25 mm
50000-13700	13.24 15.56	Holder for bore-crown Ø 22 mm
50000-11600	4.01 4.71	Spare drill bit 79 mm long for holder Ø 22 mm
30030-33000	10.45 12.28	Stainless-steel exhaust duct bender (Biegeboy)
30030-08000	9.70 11.40	Duct cutting device for stainless-steel exhaust ducts





International Sales and Service

The majority of Truma products are covered by a two year warranty.

Truma products are manufactured to a very high standard. Our Dealer Service Network in the U.K. and Europe are appointed on technical service and product knowledge. Should you experience any problems with a Truma product that your Truma Service Centre cannot solve to your complete satisfaction, please ring our Customer Service at Truma (UK) Limited
tel. (01283) 51 10 92
fax. (01283) 53 21 28

Our aim is to keep you warm and safe